

# 011-1700/011-1701

## 60 X 30 BOOTZCAST PORCELAIN ENAMELED STEEL BATHTUB RH OR LH DRAIN

Exterior Dimensions: 60W x 30D  
Note: Dimensions may vary +/- 1/4"



Material to be stacked on pallets.



### COLOR & TRIM OPTIONS

Standard Color	Code
White	-00

## FEATURES

- Tub size: 60" x 30" Apron
- Height: 14-1/4"
- Soaking Depth: 8-1/2"
- Construction:
  - Porcelain-finished steel construction
  - Insulated with enhanced BootzCast backing material
  - Full textured slip-resistant floor surface
  - Recessed bath with integral apron
  - Integral tile-flange for leak-prevention
  - 40 degree lumbar support for comfortable bathing headrest
  - Pre-leveled support pad for easier installation
  - Easy to clean, resistant to: bacteria, mold, mildew and stains
  - Limited lifetime residential warranty
  - 3-Year commercial warranty

## STANDARDS AND RATINGS

- National Plumbing Code of Canada
- International Residential Code
- International Plumbing Code
- Uniform Plumbing Code
- MAS Certified Green
- ASME A112.19.1
- ICC/ANSI A117.1
- ASTM C282
- ASTM C448
- ASTM E162
- ASTM E662
- ASTM F462
- ASTM E303-22
- CSA B45.2
- WWP-541
- UL -969
- Applicable for LEED Credits
- ADA
- HUD
- FHA
- VA

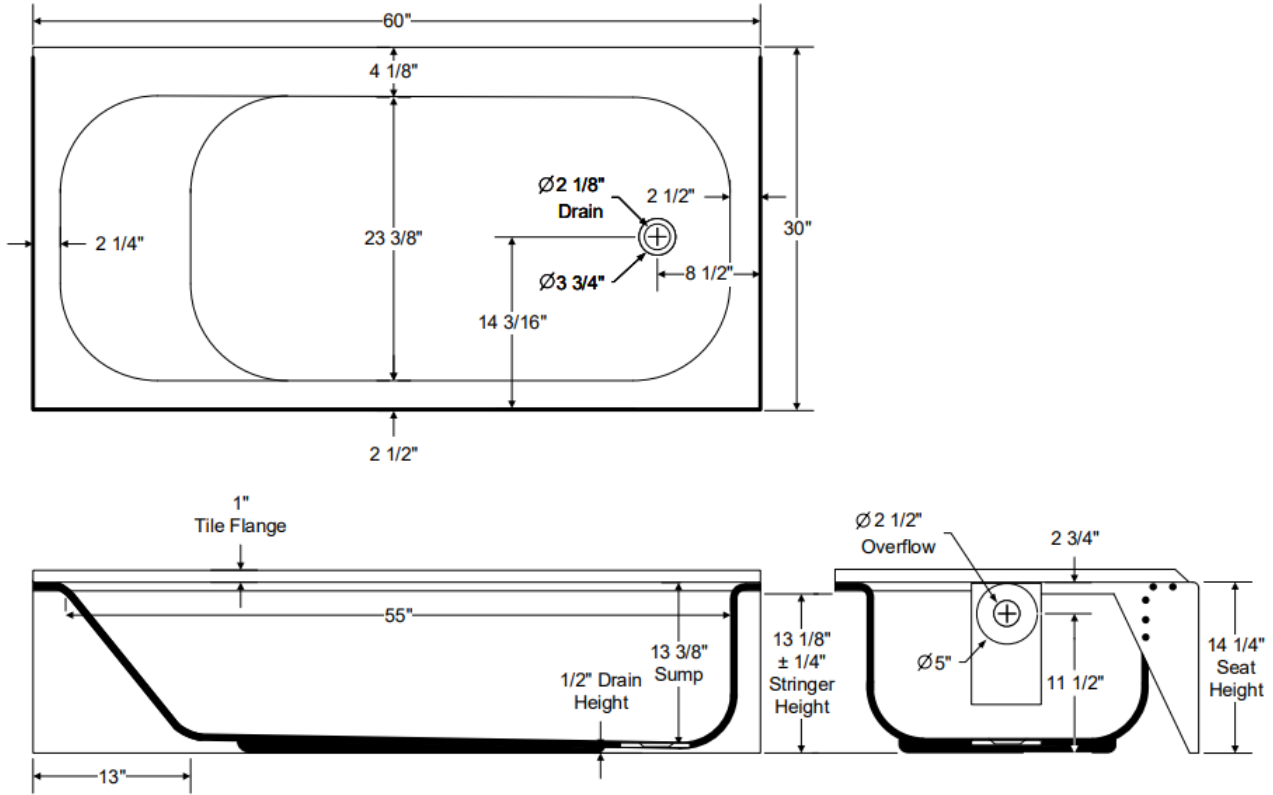
\*Compliance effective where applicable and installed accordingly



# 011-1700 / 011-1701

60 X 30 BOOTZCAST PORCELAIN ENAMELED STEEL BATHTUB RH OR LH DRAIN

Note: Base dimensions may vary +/- 1/4"



- All dimensions are approximate. Measurements should be verified against the unit to ensure proper fit


FEATURES Dimensional Tolerance ± 1/4". Dimensions needed for site preparation should be measured from the unit. American Bath Group assumes no responsibility for preparatory work.

Type and Model #	Drain Side	Material	Surface
Bathtub #011-1700	Right	Porcelain on Steel	Porcelain Enamel w/ Anti-slip
Bathtub #011-1701	Left	Porcelain on Steel	Porcelain Enamel w/ Anti-slip

## DIMENSIONS

Specifications	inches
Bathtub Depth:	30
Bathtub Length:	60
Apron Height:	14-1/4
Step-Over Depth:	4-1/8
Shower Door Mountable Surface Depth*:	4-1/8

## SUGGESTED DRAINS

Image	Description
	Standard Bathtub Drain

\*Shower doors can only be attached to the bathtub surface via adhesive, and cannot be drilled/nailed to the bathtub surface\*