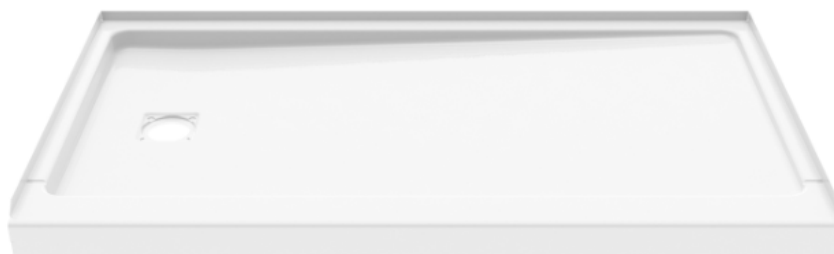


010-1002/010-1003

60 X 30 SHOWERCAST PORCELAIN ENAMEL SHOWER BASE LH OR RH SQUARE DRAIN

Exterior Dimensions: 60W x 30D

Note: Dimensions may vary +/- 1/4"



Material to be stacked
on pallets.



COLOR & TRIM OPTIONS

Standard Color	Code
White	-00
Drain Finishes Available:	
Chrome	CH
Matte Black	MB
Brushed Nickel	BN
Brushed Gold	BG
Dark Bronze	DB
Solid White	SW
Solid Matte Black	SM

FEATURES

- Base size: 60" x 30"
- Low profile curb height: 3"
- Construction:
 - Porcelain-finished steel construction
 - Full textured slip-resistant floor surface
 - Integrated weep channels for optimal drainage
 - Integral tile-flange for leak-prevention
 - Pre-leveled support pad for easier installation
 - Easy to clean, resistant to: bacteria, mold, mildew and stains
 - Multiple Drain Finishes Available
 - Round and Trench drain options available
 - Limited lifetime residential warranty
 - 3-Year commercial warranty

STANDARDS AND RATINGS*

- National Plumbing Code of Canada
- International Residential Code
- International Plumbing Code
- Uniform Plumbing Code
- MAS Certified Green
- ASME A112.19.1
- ASTM C282
- ASTM C448
- ASTM E162
- ASTM E662
- ASTM F462
- ASTM E303-22
- CSA B45.2
- WWP-541
- UL -969
- Applicable for LEED Credits
- HUD
- FHA
- VA

*Compliance effective where applicable
and installed accordingly

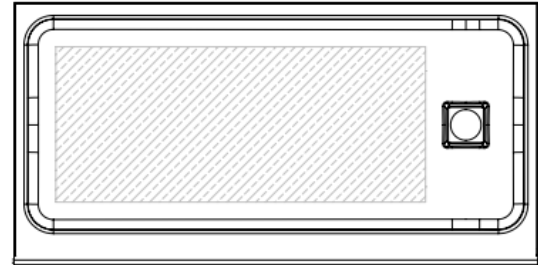
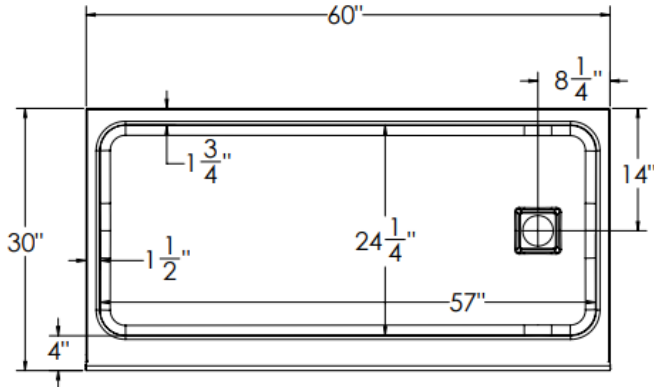




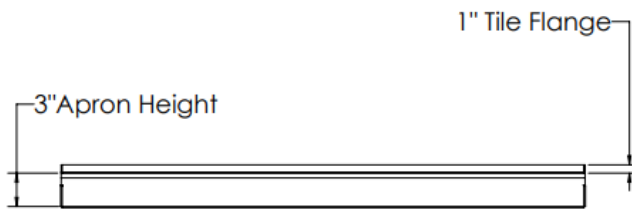
010-1002/010-1003

60 X 30 SHOWERCAST PORCELAIN ENAMEL SHOWER BASE LH OR RH SQUARE DRAIN

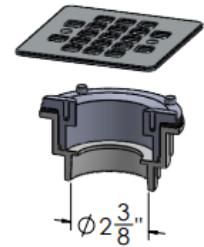
Note: Base dimensions may vary +/- 1/4"



Shaded area represents anti-slip coverage



Square Drain Model
Include Drain Kit and
Cover Plate



- All dimensions are approximate. Measurements should be verified against the unit to ensure proper fit

FEATURES Dimensional Tolerance $\pm 1/4$ ". Dimensions needed for site preparation should be measured from the unit. American Bath Group assumes no responsibility for preparatory work.

Type and Model #	Drain Side	Material	Surface
Shower Base #010-1002	Right	Porcelain on Steel	Porcelain Enamel w/ Anti-slip
Shower Base #010-1003	Left	Porcelain on Steel	Porcelain Enamel w/ Anti-slip

DIMENSIONS

Specifications	inches
Shower Base Depth:	30
Shower Base Length:	60
Apron Height:	3
Step-Over Depth:	4
Shower Door Mountable Surface Depth*:	4

SUGGESTED DRAINS

Image	Description
	Chrome drain cover and drain kit included. Additional drain cover finishes available.

Shower doors can only be attached to the shower base surface via adhesive, and cannot be drilled/nailed to the shower base surface