


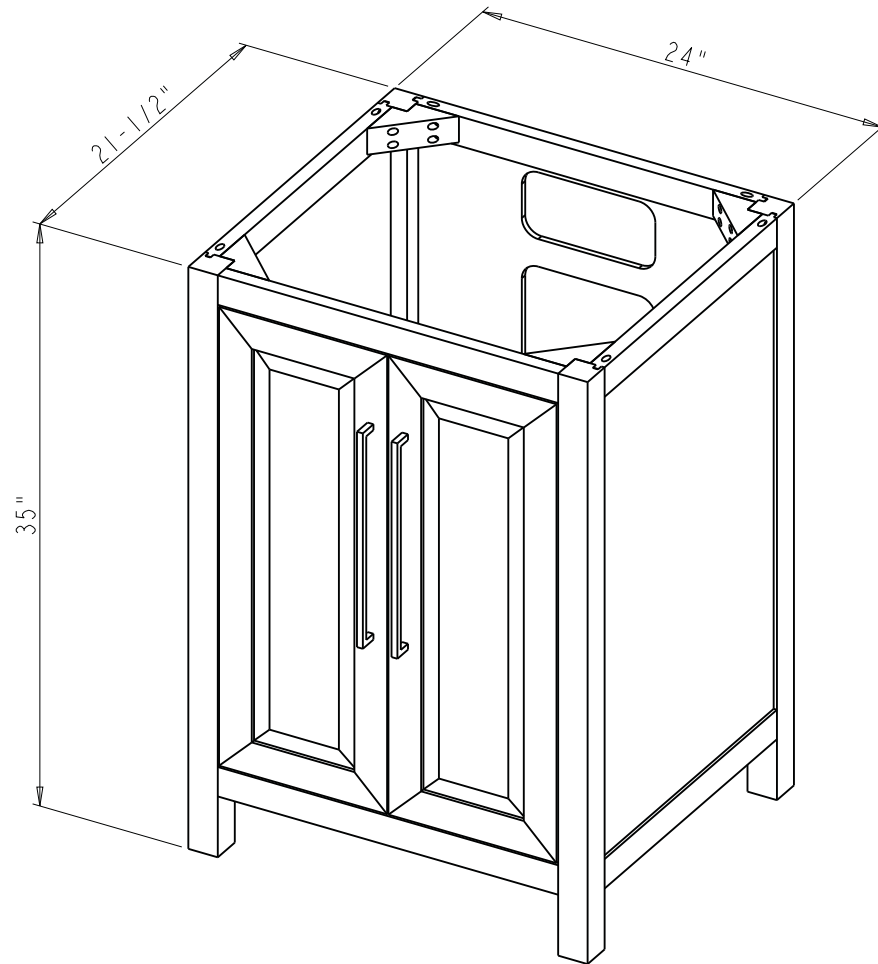
Adjustable-Shelf


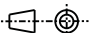
Specification:

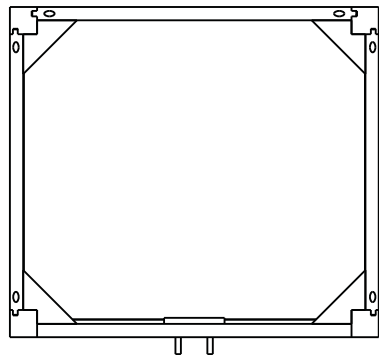
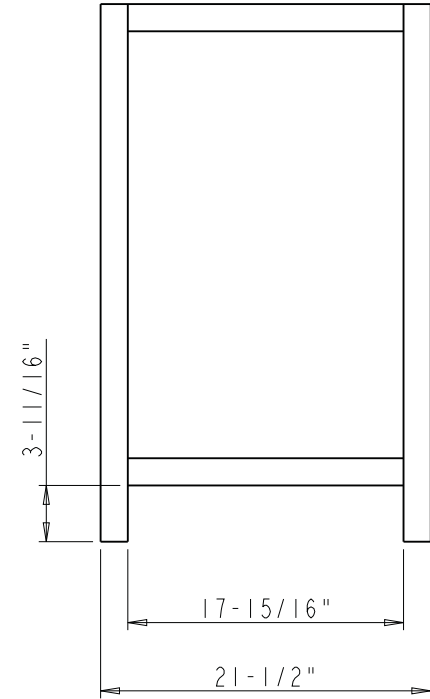
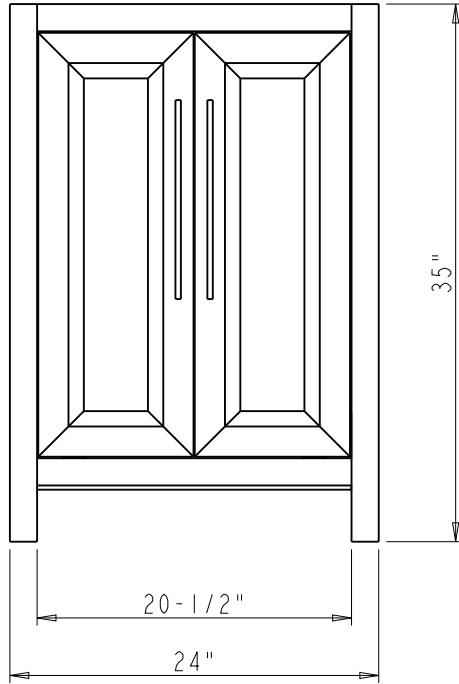
1. Material: MDF + Plywood + Birch
2. Finish: See Table
3. Hardware: See Table
4. Slides: USE58-300-18 + US-CLIP-4W (1 Set)
5. Hinge: 700.0537.25 + 600.1234.05 (4 Set)
6. Shelf Supports: 1707BN (4 PCS)
7. The tolerance is +/- 1/8"

Item number	Finish	Deco Hardware	
		Item number	Qty
VN2CAD-24-BK-NT	Black	625-320PC	2
VN2CAD-24-GR-NT	Grey	625-320PC	2
VN2CAD-24-WH-NT	White	625-320PC	2

 PROPRIETARY AND CONFIDENTIAL THE INFORMATION CONTAINED IN THIS DRAWING IS THE SOLE PROPERTY OF HARDWARE RESOURCES INC. ANY REPRODUCTION IN PART OR AS A WHOLE WITHOUT THE WRITTEN PERMISSION OF HARDWARE RESOURCES INC. IS PROHIBITED.	ITEM:	VN2CAD-24		MATERIAL:		
	FINISH:			WEIGHT:	9	
	TOLERANCE UNLESS OTHERWISE SPECIFIED:			UNITS:	DRAWN BY:	DATE:
	X ±0.20 X.X ±0.10 X.XX ±0.05 ANGULAR: ±0.5°			SIZE:	APPROVED BY:	DATE:
DO NOT SCALE DRAWING			SHEET:	RELEASE LEVEL:	REVISION:	



 <p>PROPRIETARY AND CONFIDENTIAL</p> <p>THE INFORMATION CONTAINED IN THIS DRAWING IS THE SOLE PROPERTY OF HARDWARE RESOURCES INC. ANY REPRODUCTION IN PART OR AS A WHOLE WITHOUT THE WRITTEN PERMISSION OF HARDWARE RESOURCES INC. IS PROHIBITED.</p>	ITEM#: VN2CAD - 24		MATERIAL:		
	FINISH:		WEIGHT: 9		
	TOLERANCE UNLESS OTHERWISE SPECIFIED: X ±0.20 X.X ±0.10 X.XX ±0.05 ANGULAR: ±0.5°		UNITS:	DRAWN BY: <i>Hugo.cai</i>	DATE: Mar - 16 - 20
	DO NOT SCALE DRAWING	SIZE:	APPROVED BY:	DATE:	REVISION:
	SHEET:	RELEASE LEVEL:	PROJECTION 		



	ITEM#: VN2CAD-24		MATERIAL:	
	FINISH:		WEIGHT:	
<p>PROPRIETARY AND CONFIDENTIAL</p> <p>THE INFORMATION CONTAINED IN THIS DRAWING IS THE SOLE PROPERTY OF HARDWARE RESOURCES INC. ANY REPRODUCTION IN PART OR AS A WHOLE WITHOUT THE WRITTEN PERMISSION OF HARDWARE RESOURCES INC. IS PROHIBITED.</p>	UNITS:		DRAWN BY:	DATE:
	TOLERANCE UNLESS OTHERWISE SPECIFIED:		<i>Hugo.cai</i>	
	SIZE:		APPROVED BY:	DATE:
	ANGULAR: ±0.5°		RELEASE LEVEL:	REVISION:
DO NOT SCALE DRAWING	SHEET:	PROJECTION		9