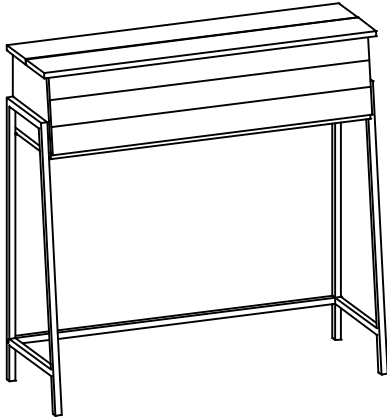


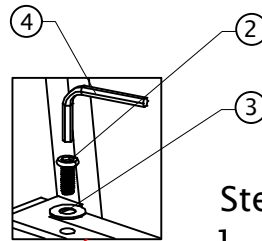
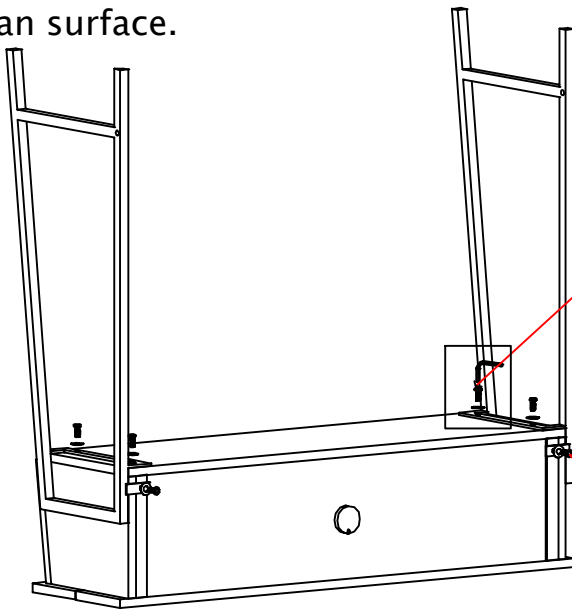
ASSEMBLY INSTRUCTION 28452 BOX WRITING DESK



HARDWARE LIST			
Part	Item	Description	Qty
1.		Allen-bolts 40 x 6 mm	3 pcs
2.		Allen-bolts 20 x 6 mm	7 pcs
3.		Flat Washer 8 mm	7 pcs
4.		Allen-key 6 mm	1 pcs

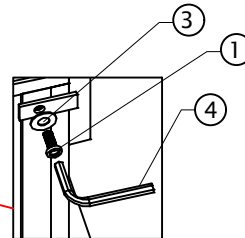
Step #1

1. Lay Desk Box upside down on soft clean surface.



Step #2

1. Attach 2 leg using Allen bolts (1), Allen bolts(2) washer (2), Allen-key (3)



Step #3

Turn desk table upright
1. Attach strecher using Allen bolts (2),Washer (3), Allen-key (4)

