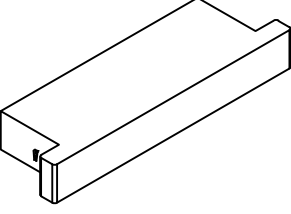
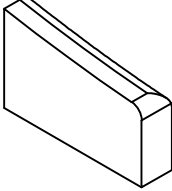
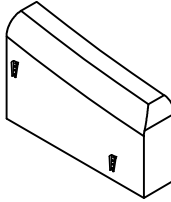
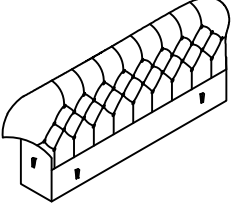
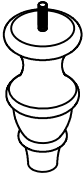







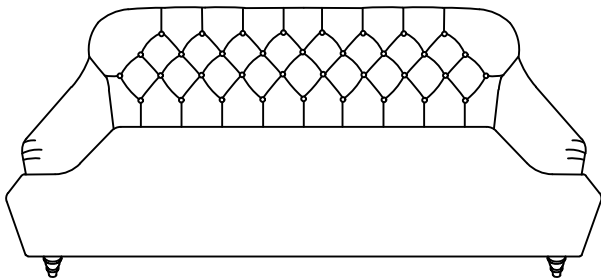


ASSEMBLY INSTRUCTION

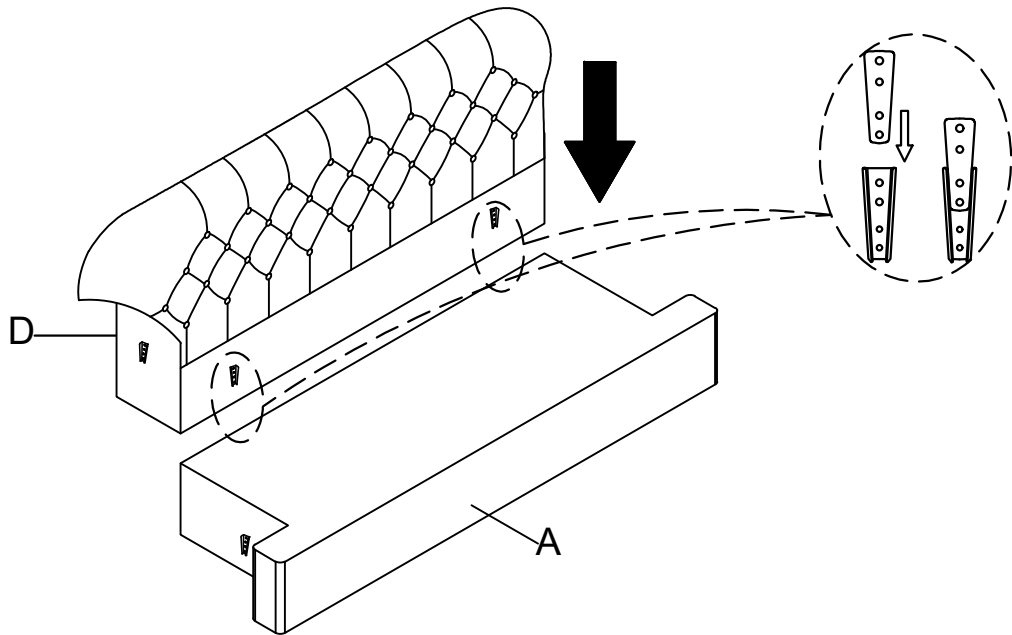
SOFA

A Seat Frame 	B Left Arm 	C Right Arm 	D Backrest 
E Front Leg 	F Back Leg 	G Support Leg 	H Flat Metal 
I Bolt 2pcs Ø5/16"x1"	J Flat Washer 2pcs Ø5/16"x22mm	K Lock Washer 1pc Ø5/16"x13mm	L Allen Key 2pcs M5
 4pcs	 4pcs	 4pcs	 1pc

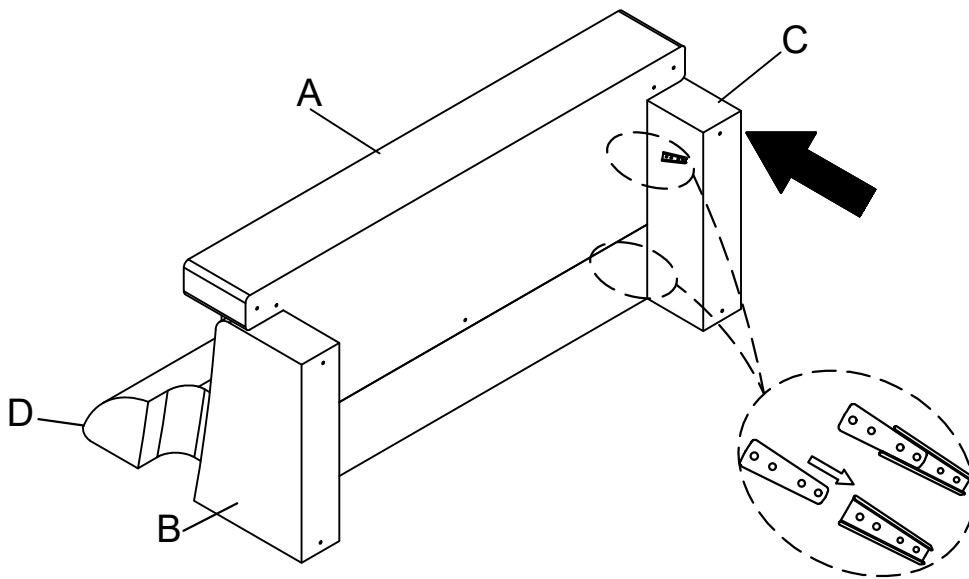


This page lists all the contents included in the box. Please take the time to identify the hardware as well as the individual components to this product. As you unpack and prepare for assembly, place the contents on a carpeted or padded area to protect them from damage.

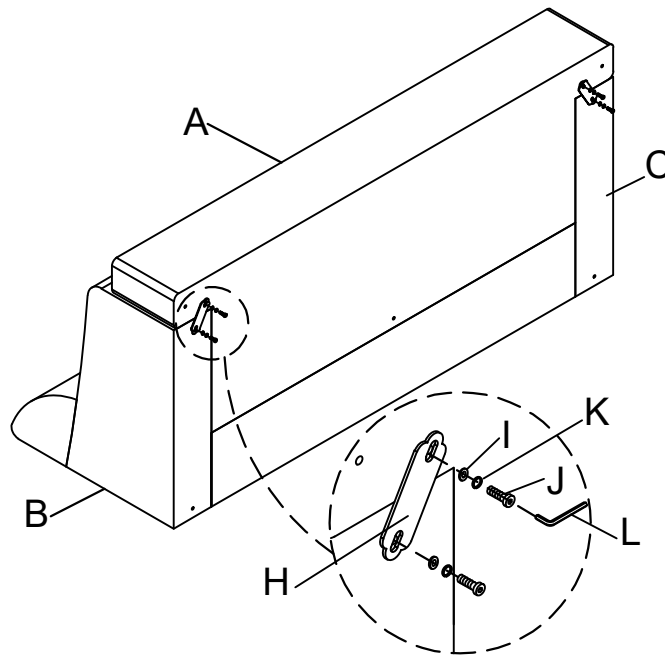
1 Slide Backrest (D) into Seat Frame (A) as below shown.



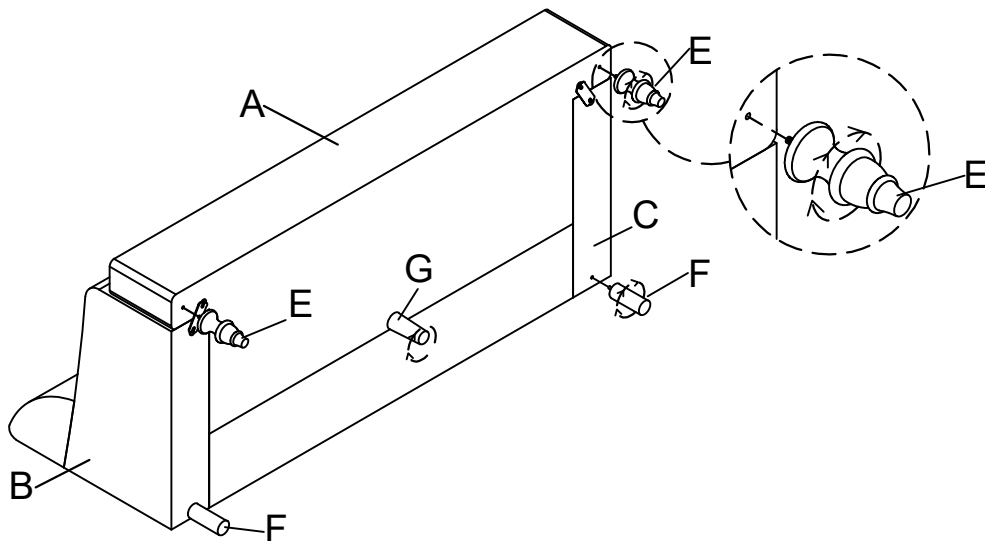
2 Slide Backrest (D) & Seat Frame (A) into Left Arm (B) & Right Arm (C) as below shown.



-
- 3** Attach Seat Frame (A) to Left Arm (B) and Right Arm (C) using Flat Metal (H), Bolt (J), Flat Washer (I) and Lock Washer (K) by Allen Key (L) as below shown.



-
- 4** Attach Front Leg (E) & Support Leg (G) to Seat Frame (A), Back Leg (F) to Left Arm (B) & Right Arm (C), then rotate tightly as below shown.



Cleaning & Care

Treat surface with care. Surface is resistant to scratches but is not scratch resistant. Clean surfaces with a dry or damp soft cloth. Do not use abrasive cleaners. Hardware may loosen over time. Periodically check that all connections are tight.