

Installation Instructions

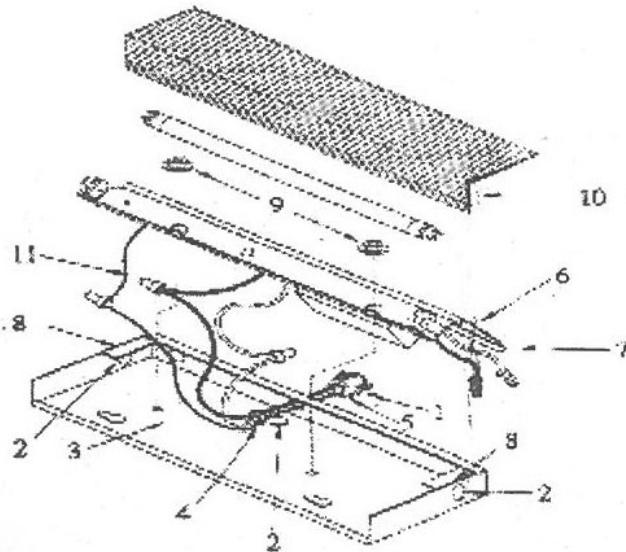
Metal Undercabinet Lighting Assembly/Operation

Read and Understand the following before proceeding with installation

- Lamp included
- Use fixture on 120V, 60hz, fused circuits only.
- Before installation or maintenance, TURN OFF ELECTRICITY to main circuit breaker.
- If fixture is to be turned on at a wall switch, make sure that the black AC supply wire of the fixture is connected to the wall switch.
- Ensure that no bare wires are exposed outside of the wire nuts.
- Risk of fire and electrical damage. This product is to be installed by a qualified electrician only.
- Select a suitable dry mounting location (indoor use only), make sure mounting surface is capable of supporting fixture weight.
- DO NOT MOUNT OVER SINKS OR STOVE

INSTALLATION PROCEDURE

Remove all parts and parts bag from carton



A. Insert connector (1) to desired knockout (2) in housing (3). Knockout is removed by pressing with screwdriver.

B. Attach connector (1) to housing (3) using lock nut (4) provided. Insert 1/2" or 3/8" conduit (not provided) through connector (1) and secure with fastener (5) provided. Screw heads must always face up and view holes down.

C. Mount housing (3) to desired surface.

D. Take wireway channel (6) and with power off, attached green supply wire to bare brass wire (11) on wireway with wire nut (local hardware store item). Attach black fixture wire to black supply wire, white fixture wire to white supply wire. DO NOT MIX! Use wire nuts (local hardware store item) to splice connections.

E. Place wireway tabs (7) onto housing tabs (8) and slide into place. Using provided hex nuts (9), attach to housing.

F. Insert lamp(s) and test unit by restoring power. If unit does not light correctly, turn off power before making corrections.

G. Snap diffuser (10) into place.

NOTE: RETAIN THESE INSTRUCTIONS FOR FUTURE MAINTENANCE USE.

Allatoona Business Center • 180 Joe Frank Harris Parkway SE
Building 500, Suite 550 • Cartersville, GA 30120
P: 866-845-5451 • F: 866-816-6165

E: service@acclaim-lighting.com • www.acclaim-lighting.com

ACCLAIM
LIGHTING
INTERIOR • OUTDOOR