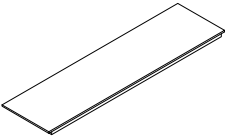
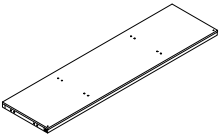
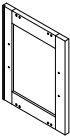
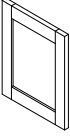
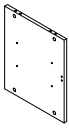
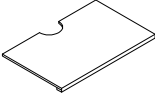
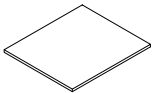
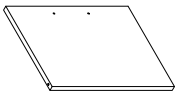
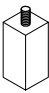
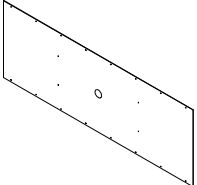
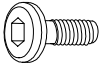
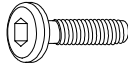





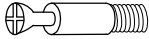



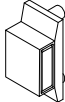

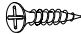
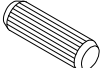
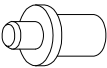
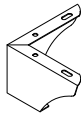
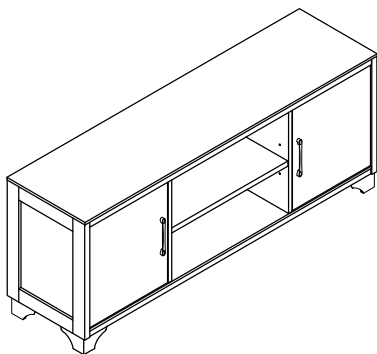


ASSEMBLY INSTRUCTION

TV STAND

A Top Panel	B Bottom Panel	C Right Side Panel
		
1pc	1pc	1pc
D Left Side Panel	E Divide Panel	F Middle Shelf Panel
		
1pc	2pcs	1pc
G Shelf Panel	H Door	I Support Leg
		
2pcs	2pcs	2pcs
J Back Panel	K JCBC Bolt M6 x 16mm	L JCBC Bolt M6 x 35mm
		
1pc	8pcs	8pcs
M Spring Washer M6	N Flat Washer M6	O Allen Key M4
		
16pcs	16pcs	1pc

P Shelf Support	Q Cam Lock Ø15 x 12mm	R Cam Bolt M5 x 32mm
		
12pcs	8pcs	8pcs
S Handle	T Handle Screw M4 x 22mm	U Panhead Screw M4 x 16mm
		
2pcs	4pcs	20pcs
V Magnet	W Magnet Plate 12 x 35mm	X CSK Screw M3.5 x 12mm
		
2pcs	2pcs	14pcs
Y Wood Dowel Ø8 x 30mm	Z Door Spring Ø8 x 20mm	AA Metal Leg 120 x 120 x 71mm
		
16pcs	4pcs	4pcs



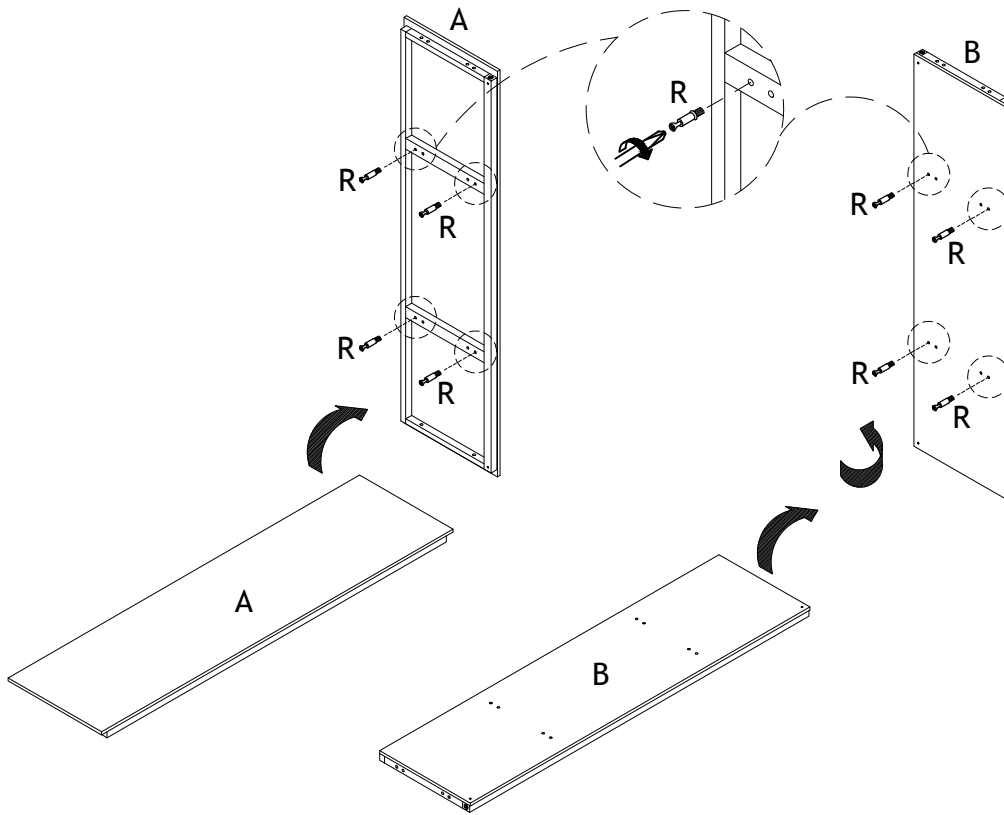
These pages list all the contents included in the box. Please take the time to identify the hardware as well as the individual components to this product. As you unpack and prepare for assembly, place the contents on a carpeted or padded area to protect them from damage.

IMPORTANT NOTE :

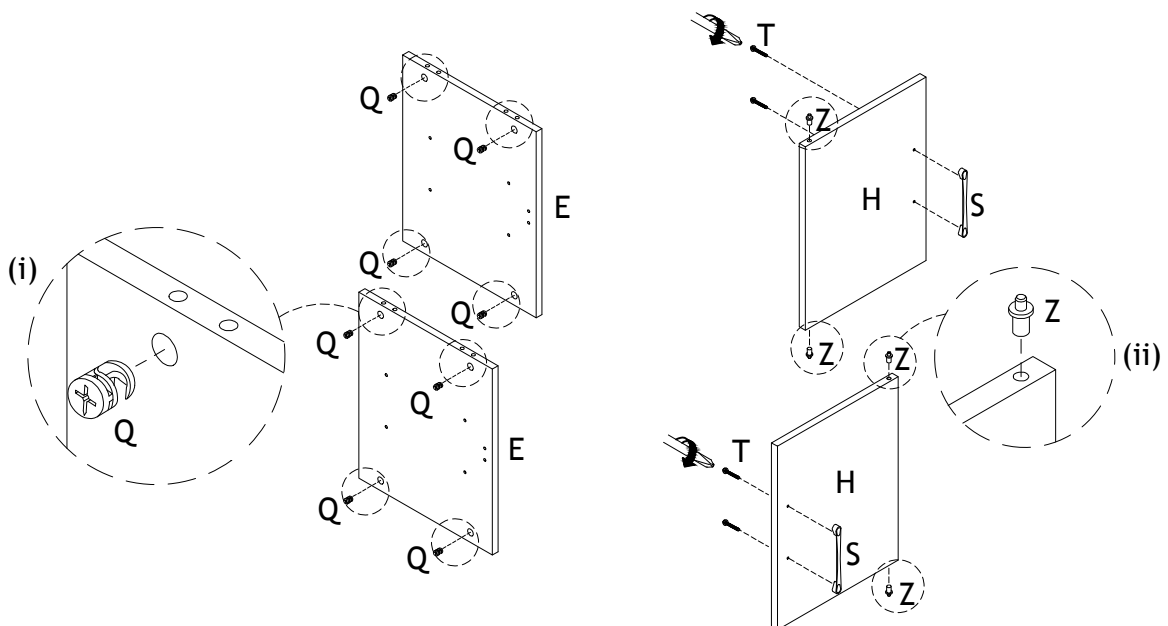
1. Do not tighten all screws / bolts until all completely assembled.
2. Keep all hardware parts out of reach of children.

1

Attach Cam Bolt (R) to Top Panel (A) and Bottom Panel (B) with screwdriver (not provided).

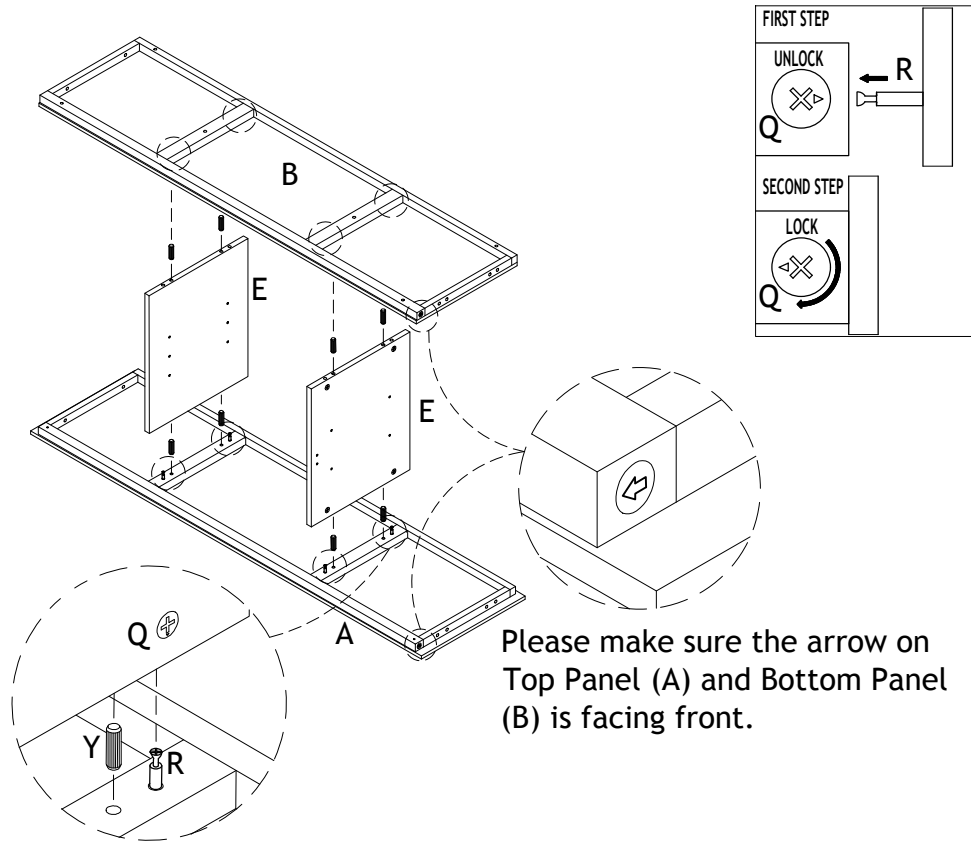
**2**

- i) Attach Cam Lock (Q) to Divide Panel (E).
- ii) Attach Handle (S) to Door (H) and tighten Handle Screw (T) with screwdriver (not provided). Then attach Door Spring (Z) to Door (H).

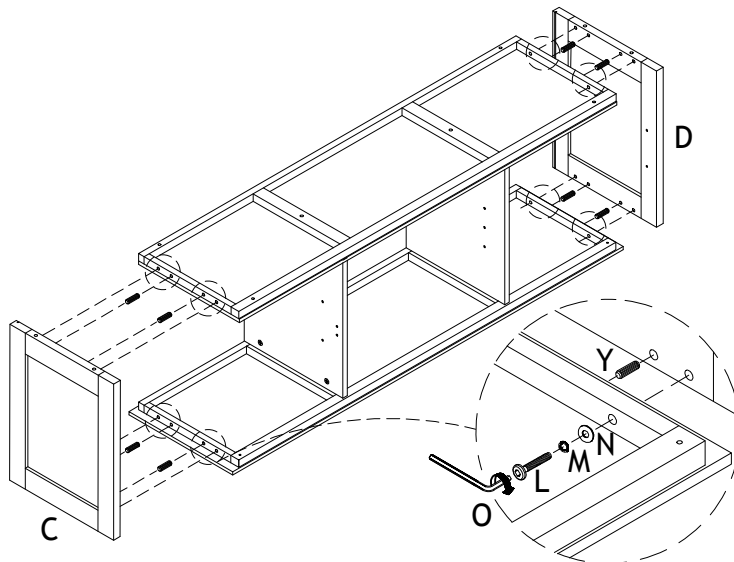


3

Attach Divide Panel (E) to Top Panel (A) and Bottom Panel (B) by inserting Wood Dowel (Y) and lock Cam Lock (Q) with screwdriver (not provided).

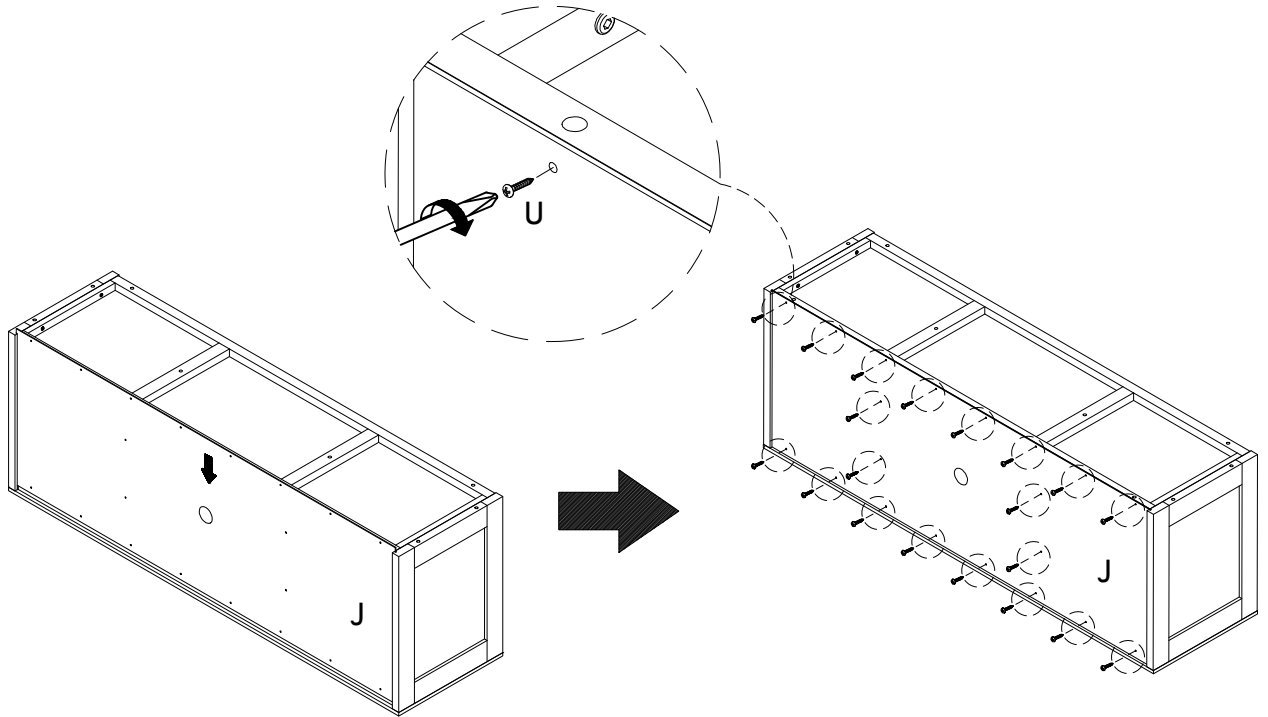
**4**

Attach Left & Right Side Panel (C & D) by inserting Wood Dowel (Y) and tighten JCBC Bolt (L), Spring Washer (M) and Flat Washer (N) with Allen Key (O).

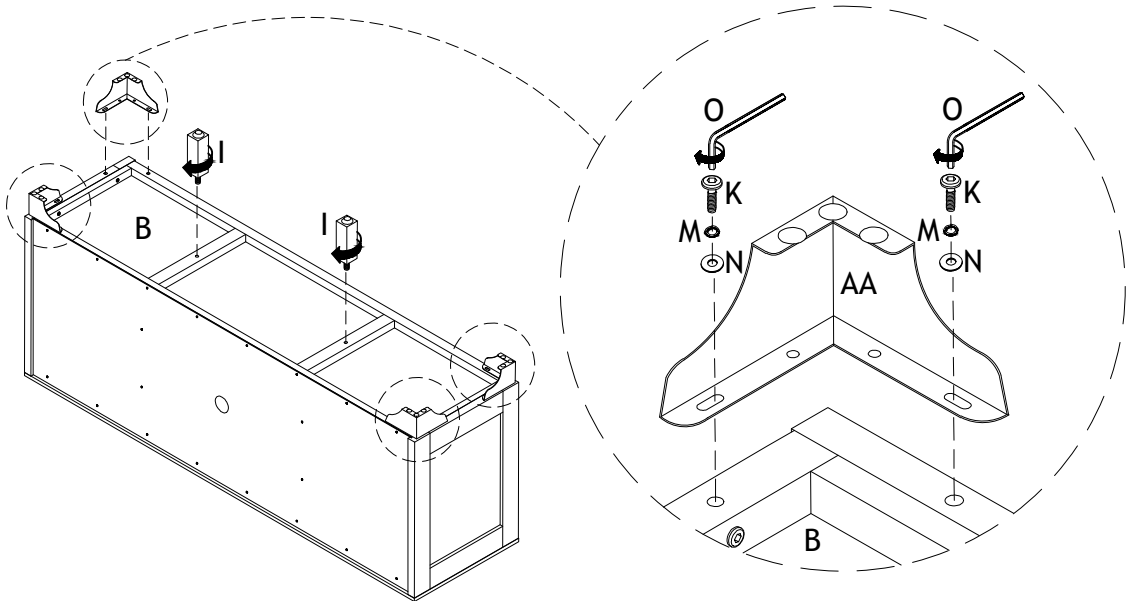


5

Slot Back Panel (J) into the grooves and tighten Panhead Screw (U) with screwdriver (not provided).

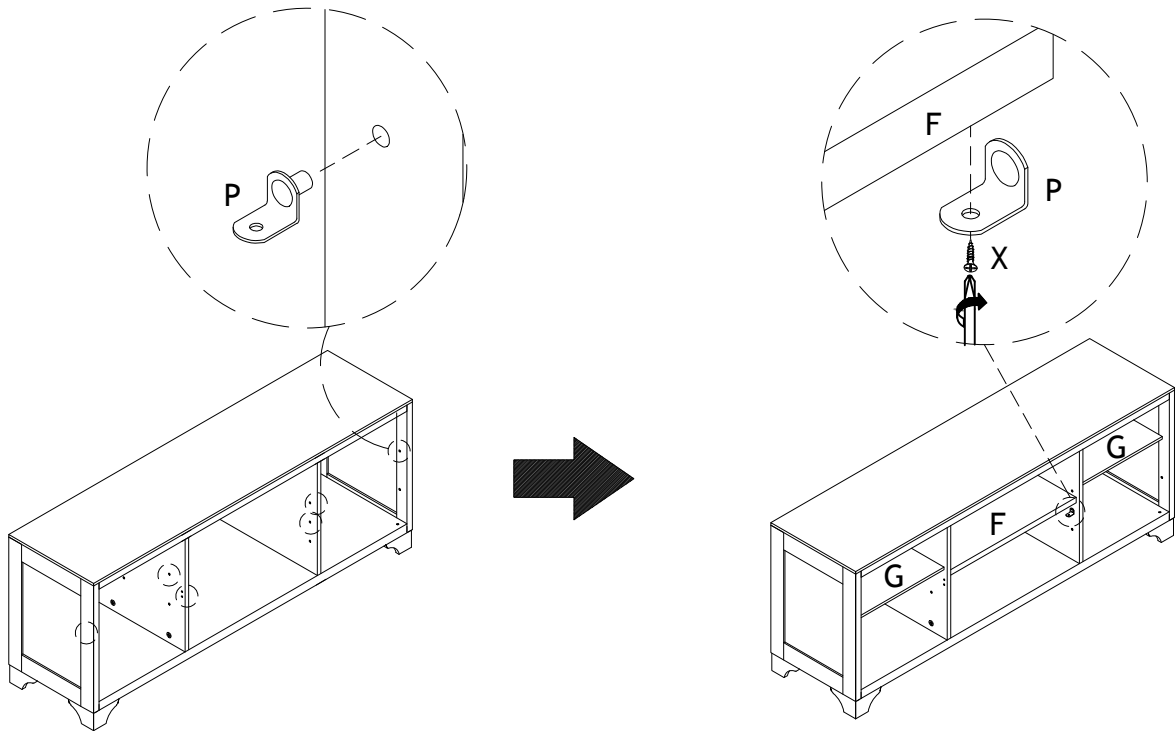
**6**

Attach Metal Leg (AA) to Bottom Panel (B) using JCBC Bolt (K), Spring Washer (M) and Flat Washer (N) and tighten with Allen Key (O). Then attach Support Leg (I) to Bottom Panel (B).

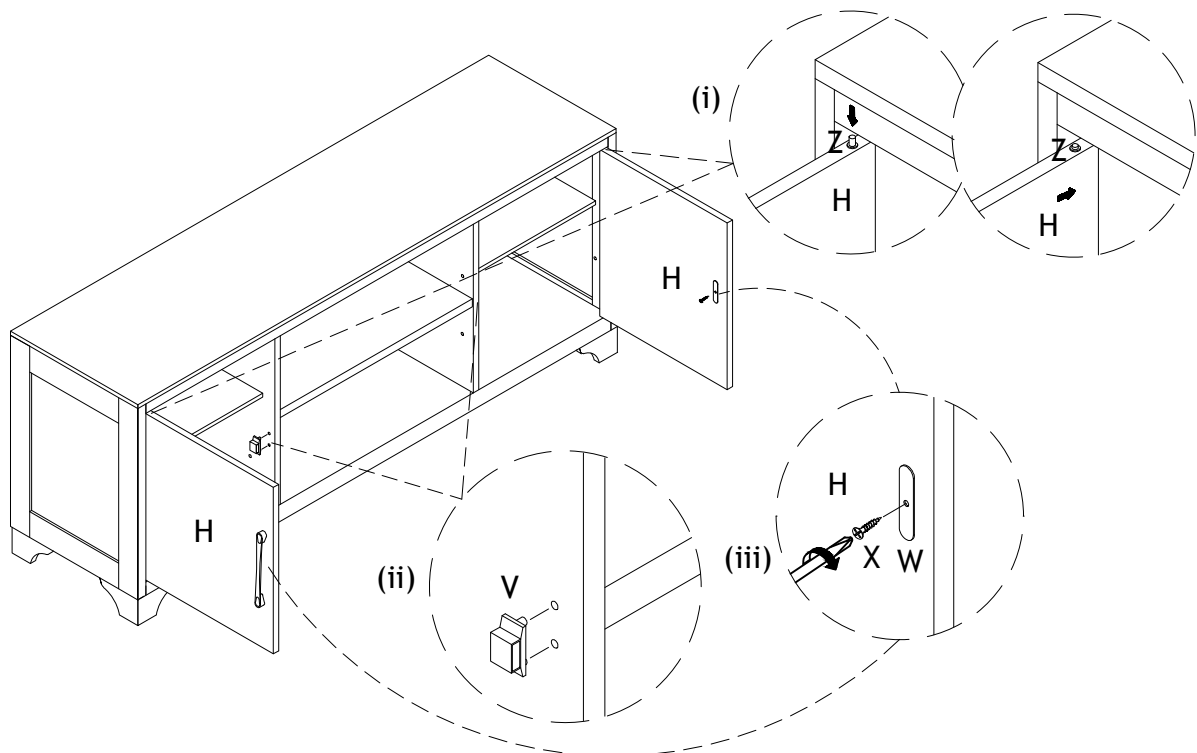


7

Stand the TV Stand up. Attach Shelf Support (P) to your best position. Then put on Shelf Panel (G) and Middle Shelf Panel (F), after that tighten CSK Screw (X) with screwdriver (not provided).

**8**

- i) Attach Door (H) to the TV Stand using Door Spring (Z).
- ii) Attach Magnet (V) to the TV Stand.
- iii) Attach Magnet Plate (W) to Door (H) and tighten CSK Screw (X) with screwdriver (not provided).

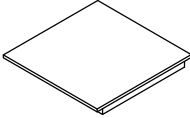
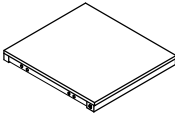
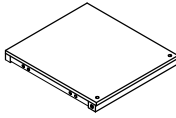
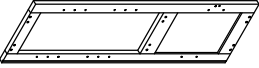
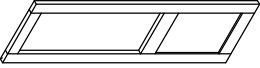
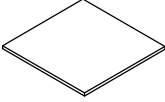
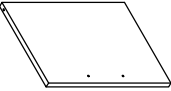
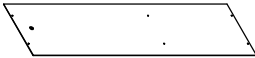
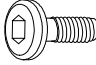
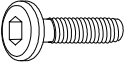

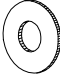


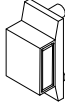


Cleaning & Care

Treat surface with care. Surface is resistant to scratches but is not scratch resistant. Clean surfaces with a dry or damp soft cloth. Do not use abrasive cleaners. Hardware may loosen over time. Periodically check that all connections are tight.

ASSEMBLY INSTRUCTION

SIDE TOWER

A Top Panel	B Middle Panel	C Bottom Panel
		
1pc	1pc	1pc
D Right Side Panel	E Left Side Panel	F Shelf Panel
		
1pc	1pc	3pcs
G Door	H Back Panel	I JCBC Bolt M6 x 16mm
		
1pc	1pc	8pcs
J JCBC Bolt M6 x 35mm	K Spring Washer M6	L Flat Washer M6
		
12pcs	20pcs	20pcs
M Allen Key M4	N Shelf Support	O Magnet
		
1pc	12pcs	1pc

P Magnet Plate
12 x 35mm



1pc

Q CSK Screw
M3.5 x 12mm



13pcs

R Handle



1pc

S Handle Screw
M4 x 22mm



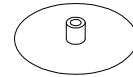
2pcs

T Panhead Screw
M4 x 16mm



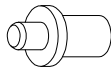
6pcs

U PVC Cover



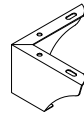
1pc

V Door Spring
Ø8 x 20mm



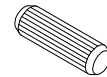
2pcs

W Metal Leg
120 x 120 x 71mm



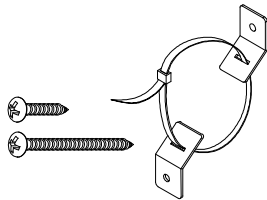
4pcs

X Wood Dowel
Ø8 x 30mm

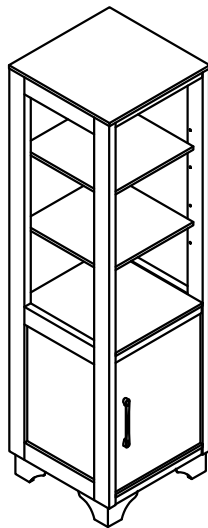


12pcs

Y Anti-Tipping Kit



1set



These pages list all the contents included in the box. Please take the time to identify the hardware as well as the individual components to this product. As you unpack and prepare for assembly, place the contents on a carpeted or padded area to protect them from damage.

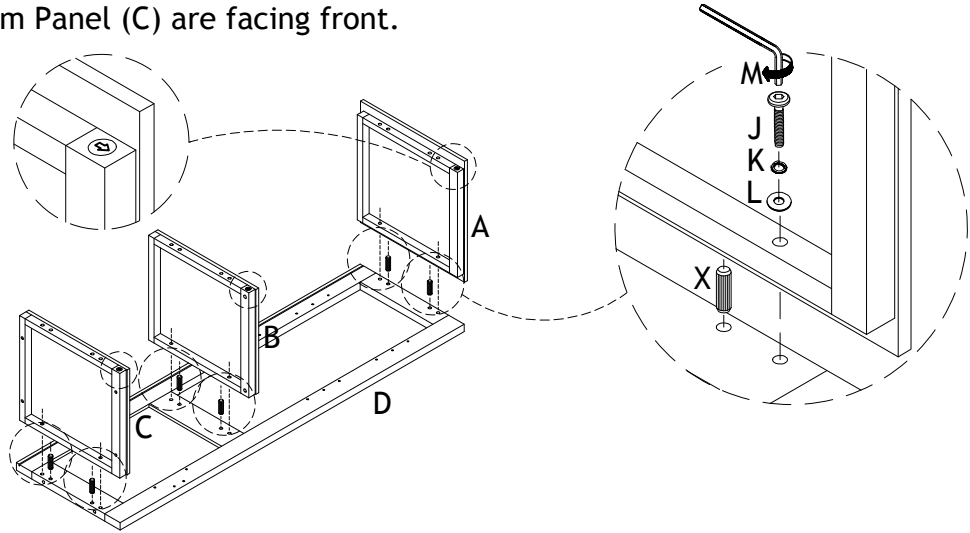
IMPORTANT NOTE :

1. Do not tighten all screws / bolts until all completely assembled.
2. Keep all hardware parts out of reach of children.

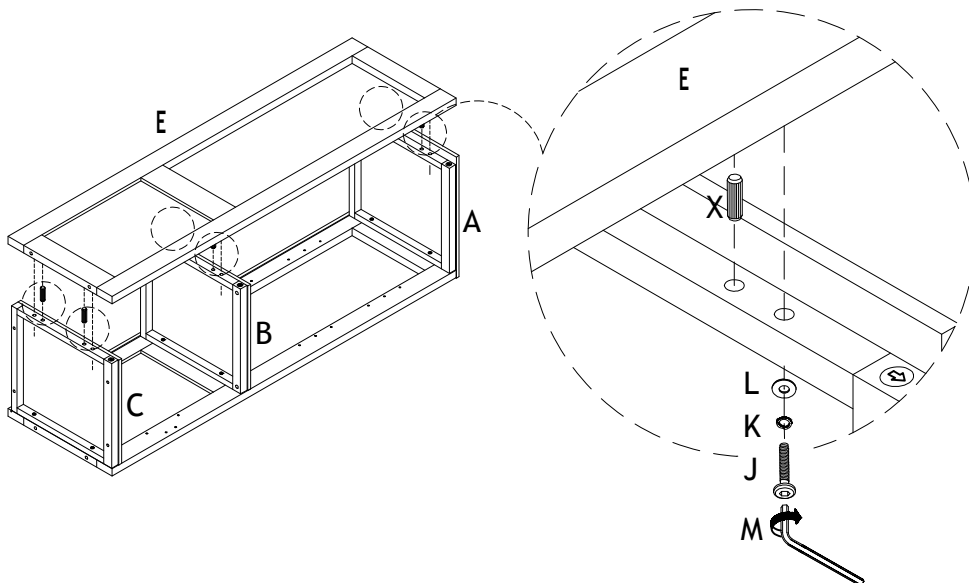
1

Attach Top Panel (A), Middle Panel (B) and Bottom Panel (C) to Right Side Panel (D) by inserting Wood Dowel (X) and tighten JCBC Bolt (J), Spring Washer (K) and Flat Washer (L) with Allen Key (M).

Please make sure the arrows on Top Panel (A), Middle Panel (B) and Bottom Panel (C) are facing front.

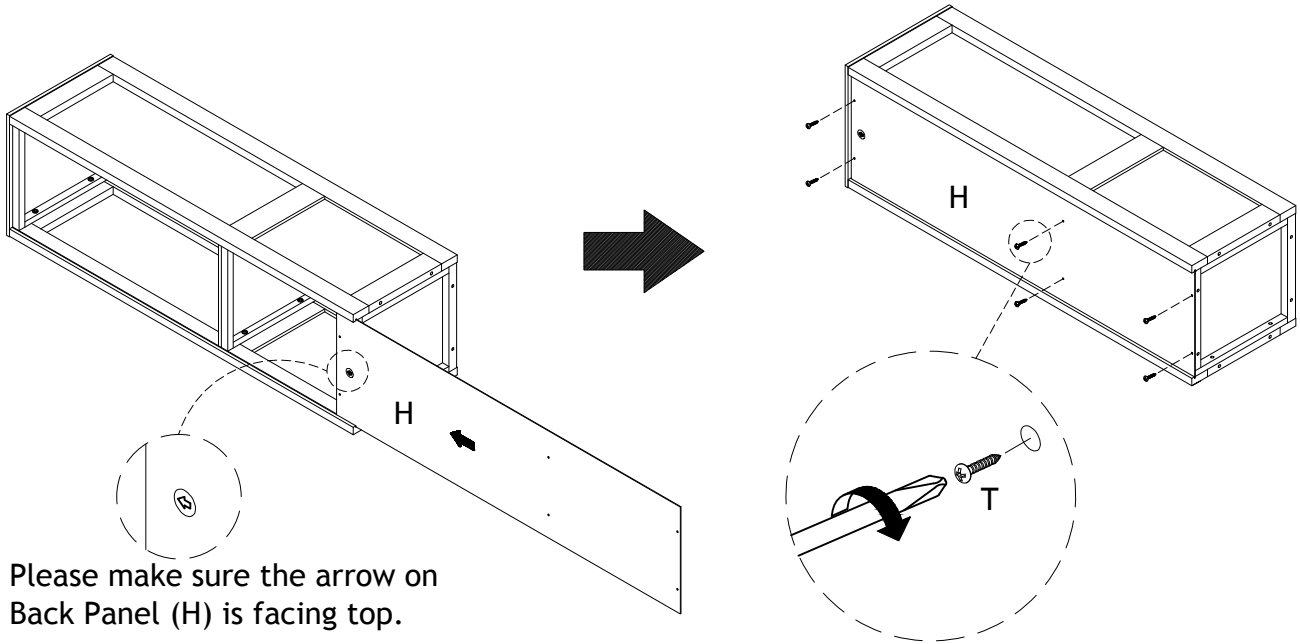
**2**

Attach Left Side Panel (E) to Top Panel (A), Middle Panel (B) and Bottom Panel (C) by inserting Wood Dowel (X) and tighten JCBC Bolt (J), Spring Washer (K) and Flat Washer (L) with Allen Key (M).

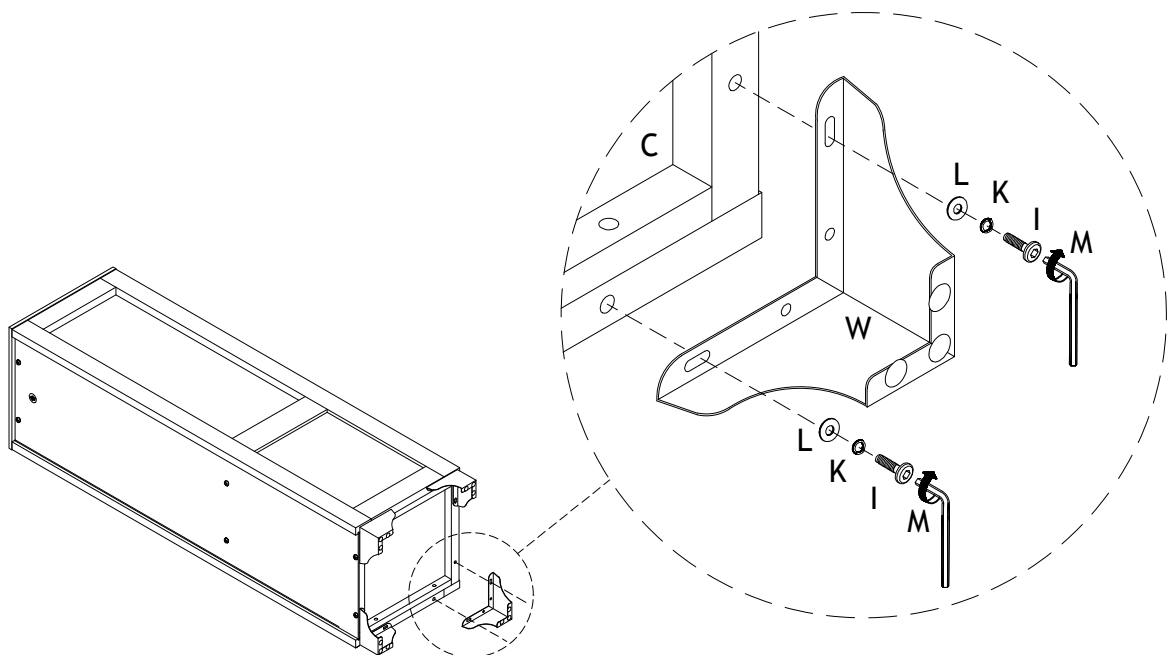


3

Slot in Back Panel (H) to the grooves of the unit and tighten Panhead Screw (T) with screwdriver (not provided).

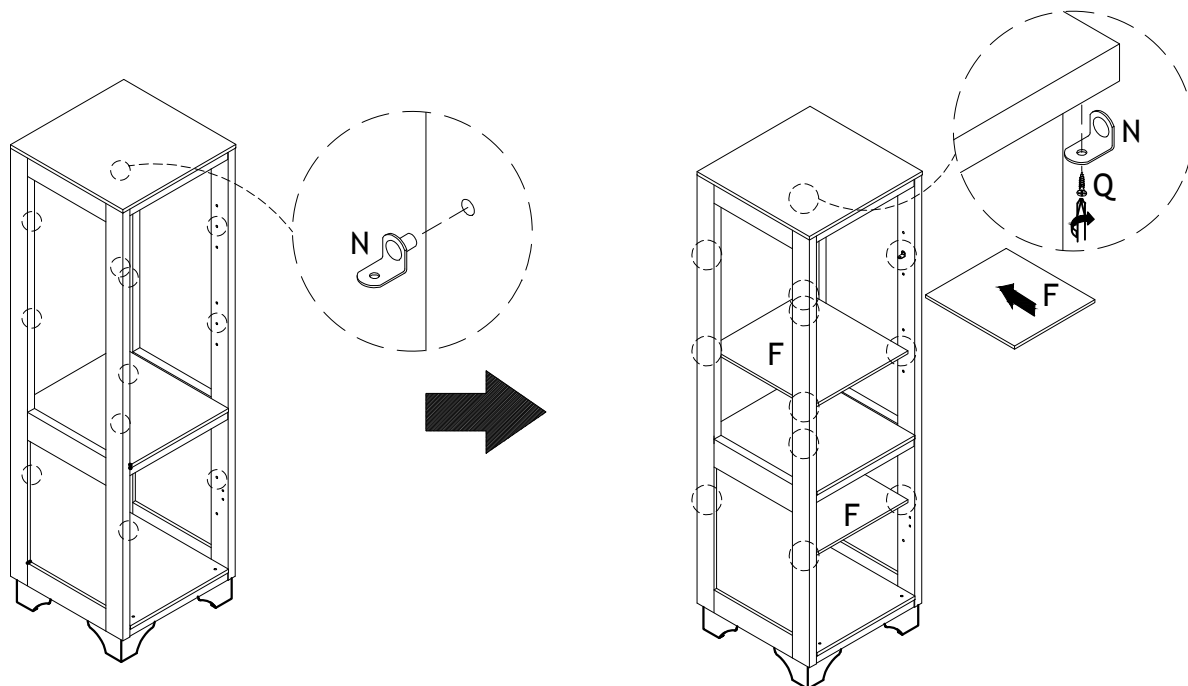
**4**

Attach Metal Leg (W) to Bottom Panel (C) and tighten JCBC Bolt (I), Spring Washer (K) and Flat Washer (L) with Allen Key (M).

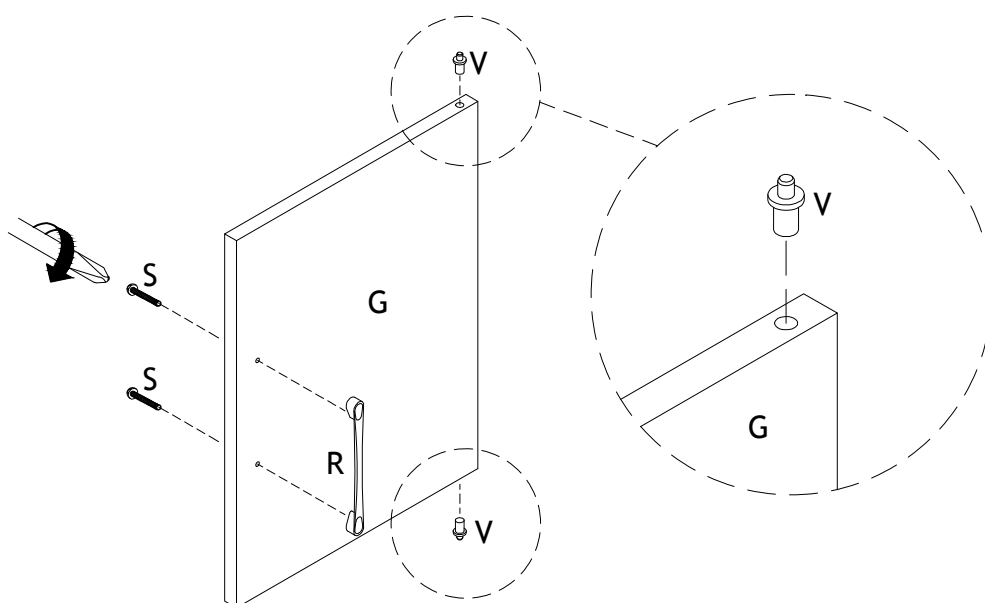


5

Attach Shelf Support (N) to the assembled unit and adjust to the best position. Then attach Shelf Panel (F) to Shelf Support (N) and tighten CSK Screw (Q) with screwdriver (not provided).

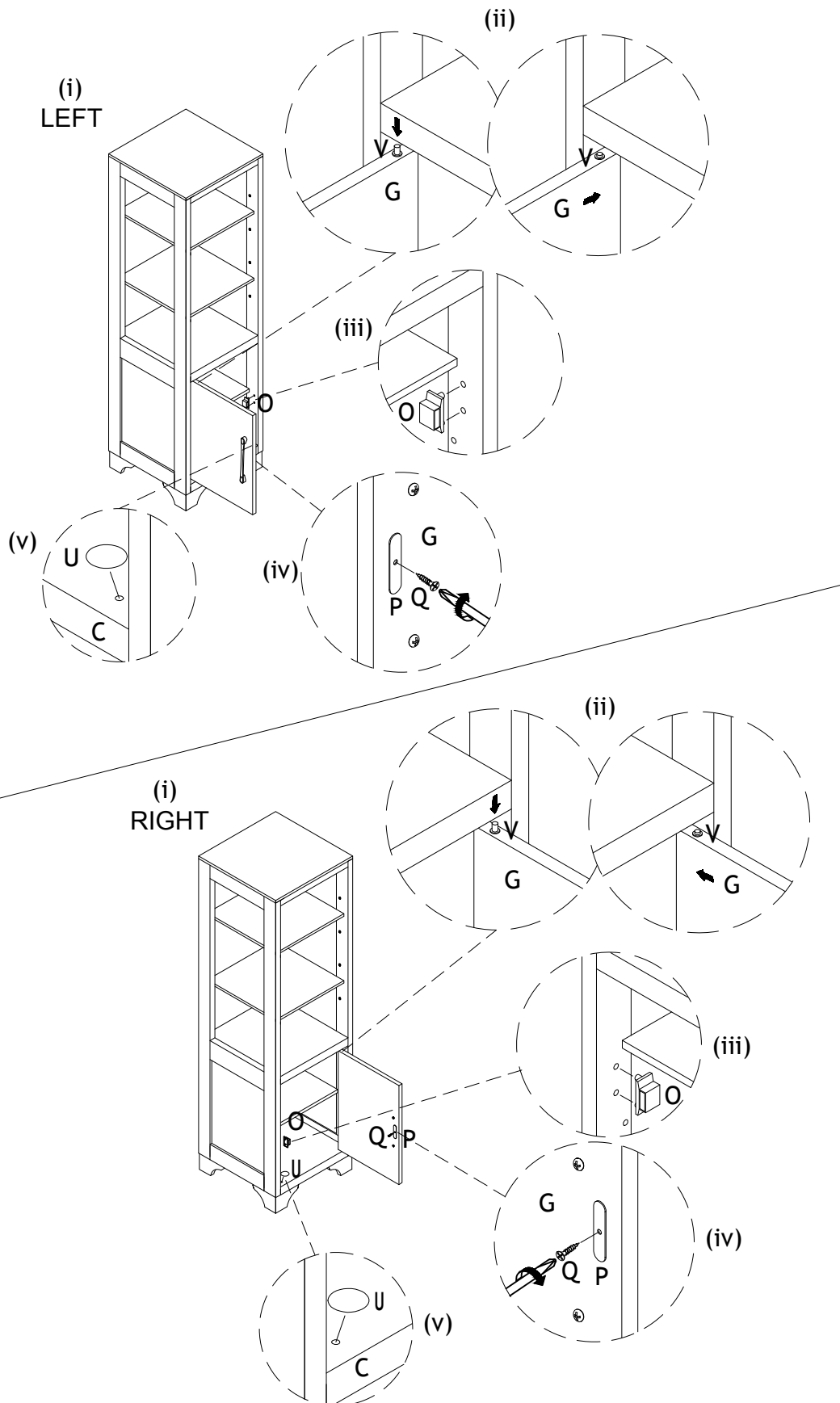
**6**

Attach Handle (R) to Door (G) and tighten Handle Screw (S) with screwdriver (not provided). Then attach Door Spring (V) to Door (G).



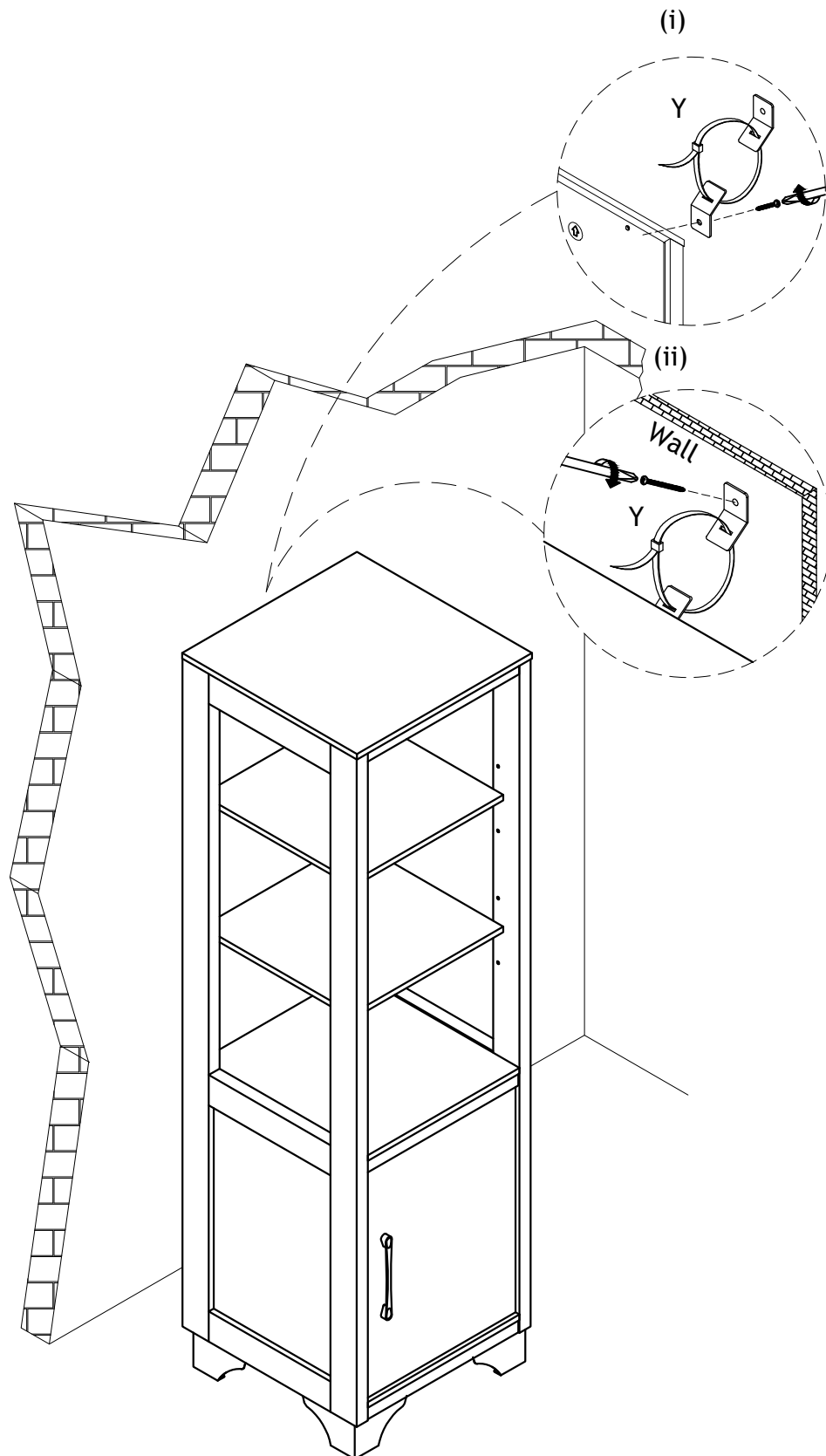
7

- (i) Door (G) can be assembled at Left or Right. Please choose the side.
- (ii) Attach Door (G) to the Side Tower using Door Spring (V).
- (iii) Attach Magnet (O) to the Side Tower.
- (iv) Attach Magnet Plate (P) to Door (G) and tighten CSK Screw (Q) with screwdriver (not provided).
- (v) Attach PVC Cover (U) to the hole on the Bottom Panel (C).



8

- (i) Attach Anti-Tipping Kit (Y) to back of Side Tower and tighten short screw with screwdriver (not provided).
- (ii) Attach the other side of Anti-Tipping Kit (Y) to wall and tighten long screw with screwdriver (not provided).



Cleaning & Care

Treat surface with care. Surface is resistant to scratches but is not scratch resistant. Clean surfaces with a dry or damp soft cloth. Do not use abrasive cleaners. Hardware may loosen over time. Periodically check that all connections are tight.