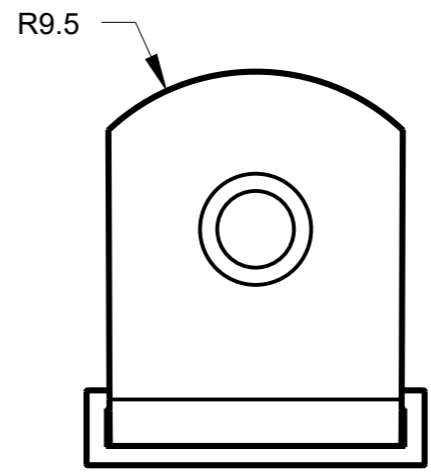
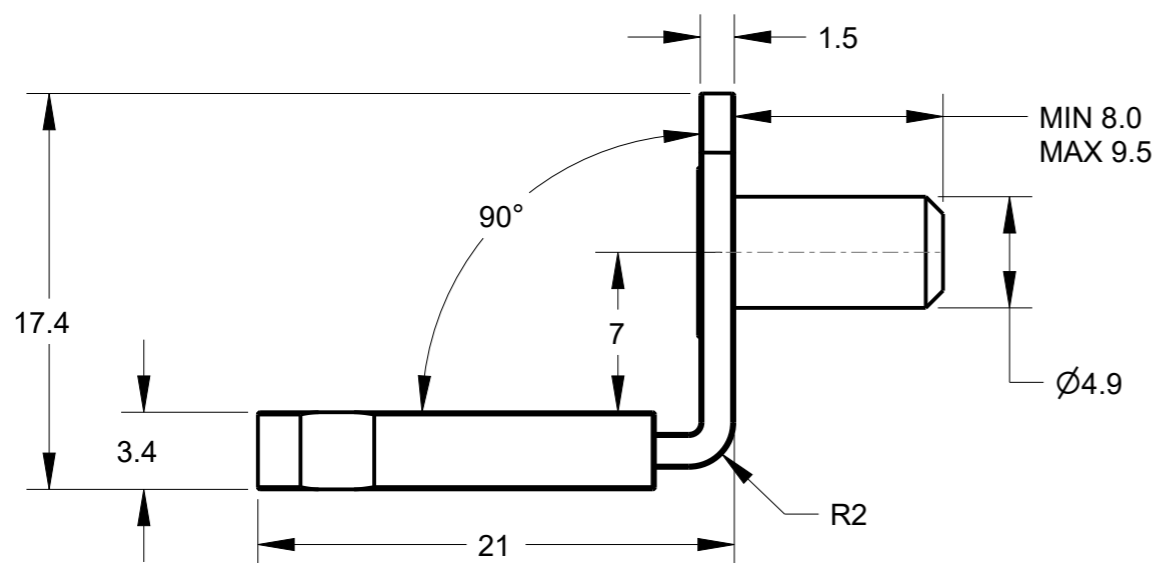
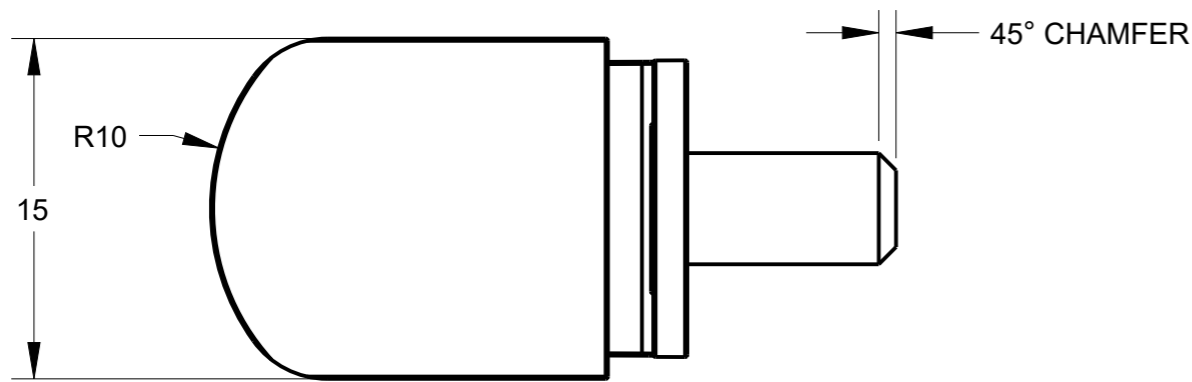
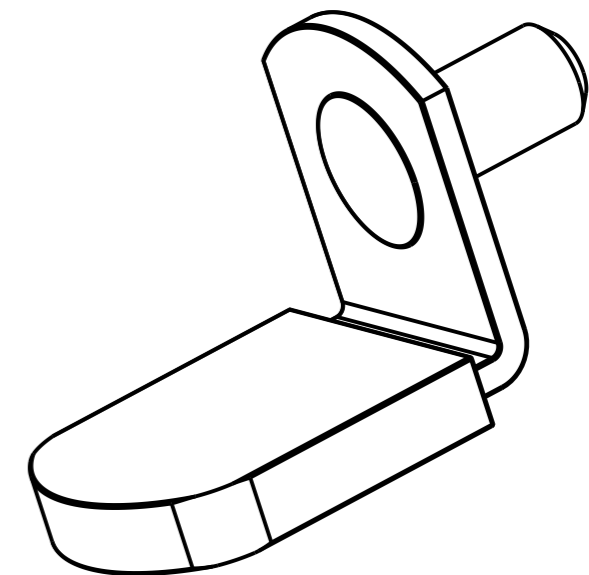


| ITEM # | FINISH | SLEEVE COLOR |
|---------|----------------|--------------|
| 1708AB | ANTIQUÉ BRASS | BROWN |
| 1708AC | ANTIQUÉ COPPER | BROWN |
| 1708BN | BRIGHT NICKEL | BROWN |
| 1708WBN | BRIGHT NICKEL | WHITE |
| 1708CBN | BRIGHT NICKEL | CLEAR |

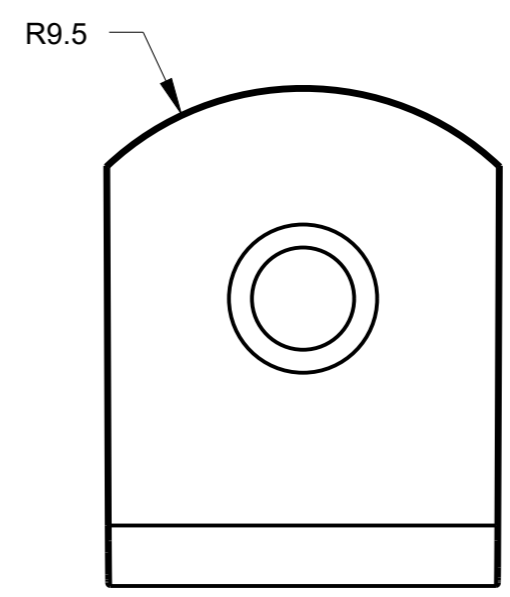
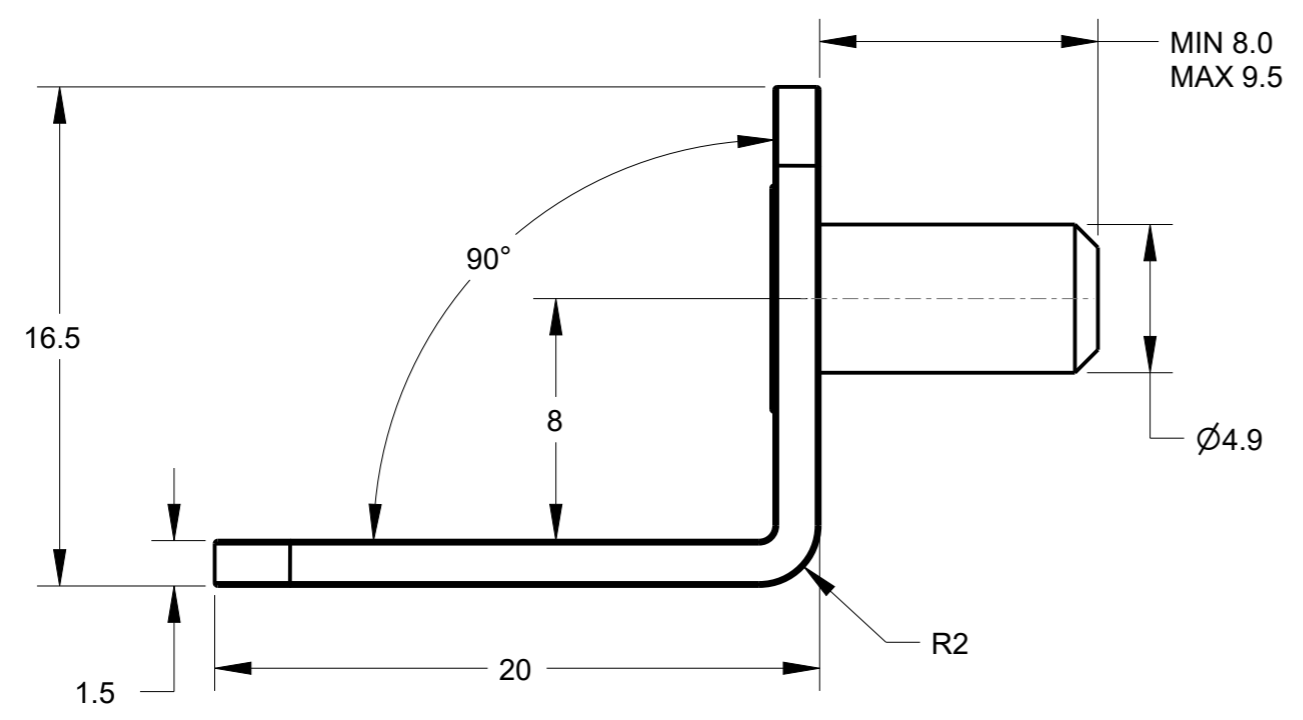
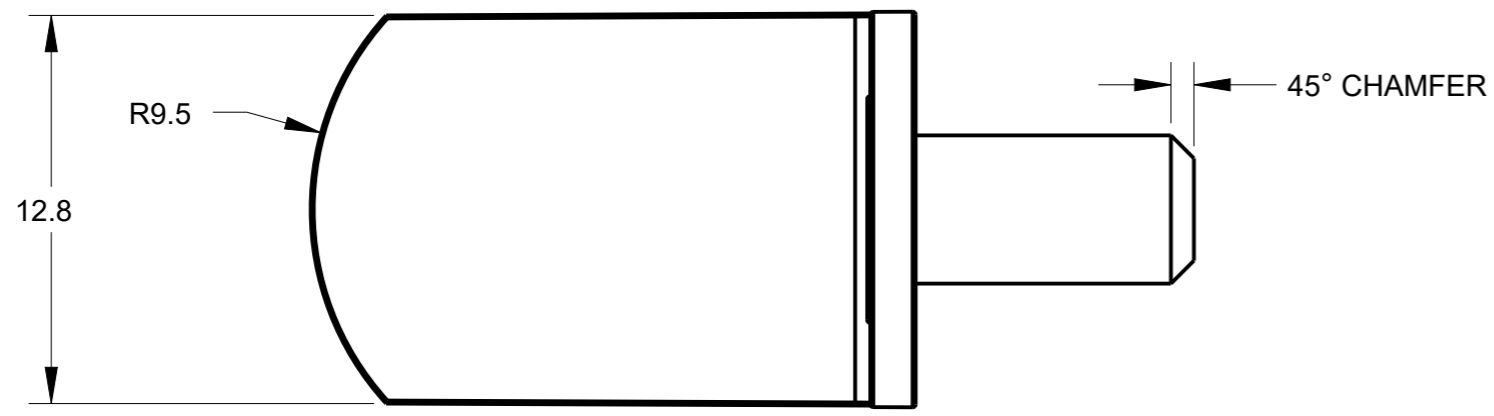
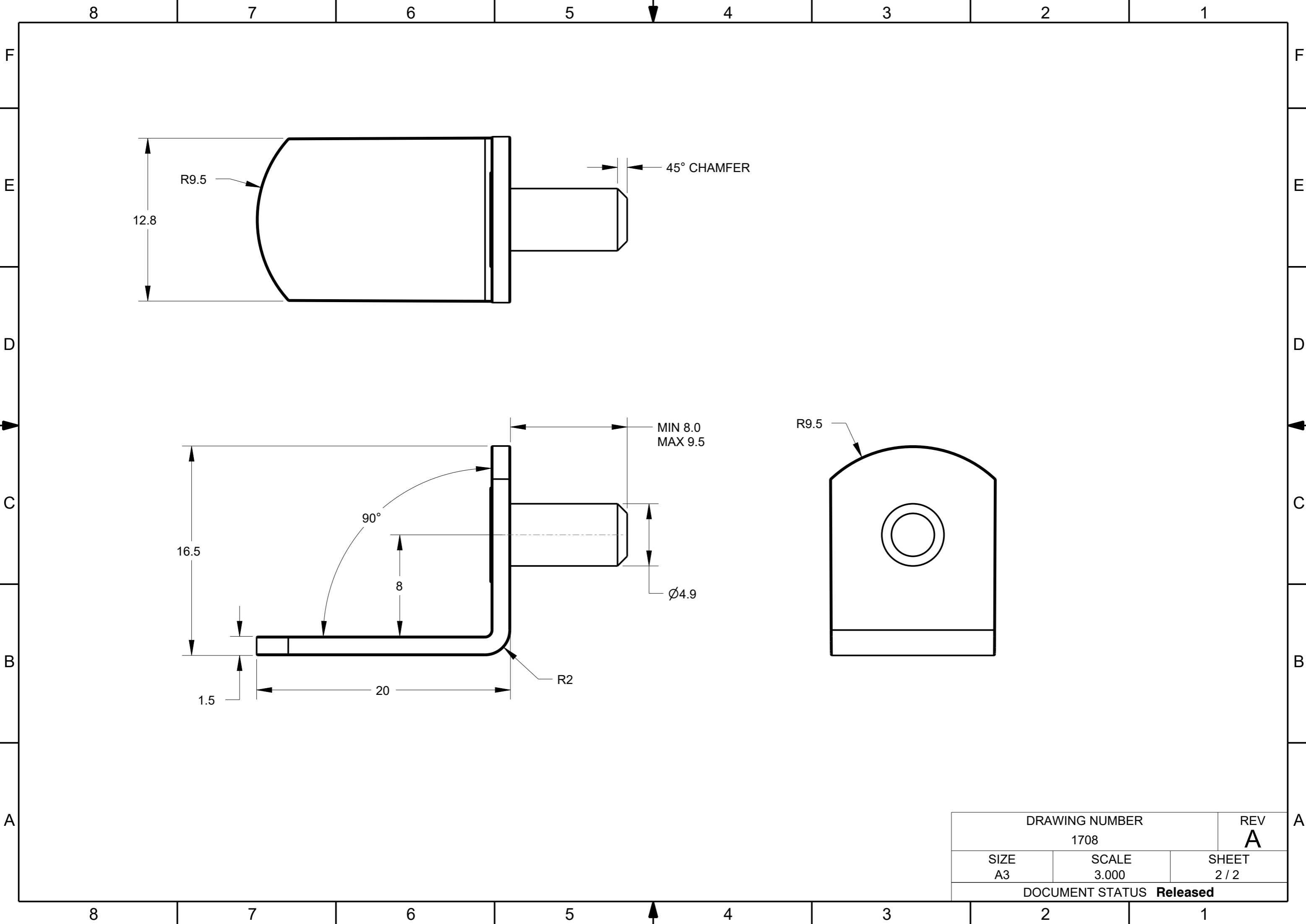


| | | | | |
|---------------------------|-------------------|--|----------------|----------|
| THIRD ANGLE PROJECTION | | | | |
| | | | | |
| MATERIAL | FINISH | DESCRIPTION ANGLED SHELF PIN, 5MM 1708 | | |
| STEEL | SEE TABLE | | | |
| DRAWN BY ANDY BROWN | DATE 30MAR2022 | DRAWING NUMBER 1708 | | |
| DESIGNED BY N/A | DATE N/A | | | |
| APPROVED BY GREG DAVIS | DATE 31MAR2022 | SIZE A3 | SCALE 3.000 | REV A |
| SHEET 1 / 2 | | | | |

DOCUMENT STATUS **Released**

HARDWARE RESOURCES RESERVES THE RIGHT TO CHANGE SPECIFICATIONS WITHOUT NOTICE. IN CASE OF A DISCREPANCY, ACTUAL PART GEOMETRY SUPERSEDES THIS DOCUMENT.

THE INFORMATION CONTAINED WITHIN THIS DRAWING IS THE SOLE PROPERTY OF HARDWARE RESOURCES INC. ANY REPRODUCTION IN PART OR WHOLE WITHOUT WRITTEN PERMISSION OF HARDWARE RESOURCES INC. IS PROHIBITED.



| | | |
|---------------------------------|-------|----------|
| DRAWING NUMBER | | REV |
| 1708 | | A |
| SIZE | SCALE | SHEET |
| A3 | 3.000 | 2 / 2 |
| DOCUMENT STATUS Released | | |