

# Installation and Care Guide

## Sink Shelf

Français, page "Français-1"  
Español, página "Español-1"

THE BOLD LOOK  
OF **KOHLER**®

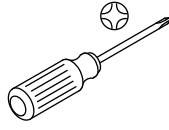
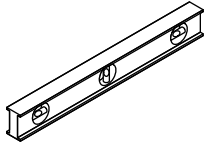
1323346-2-A

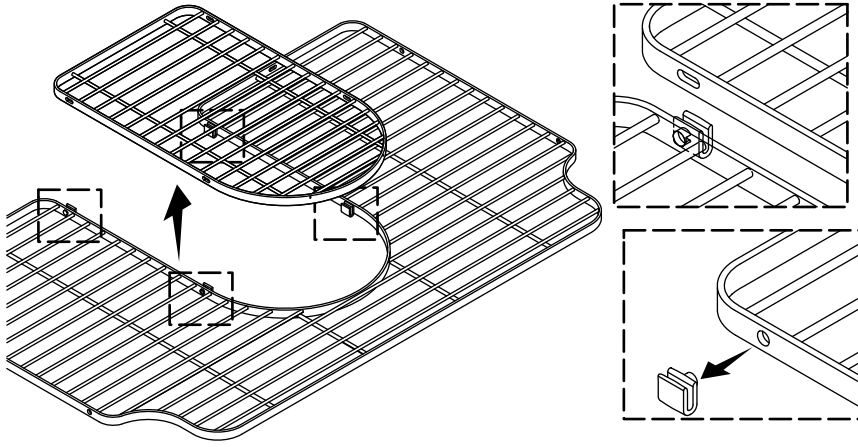
# Tools and Materials



5/32"

Tape

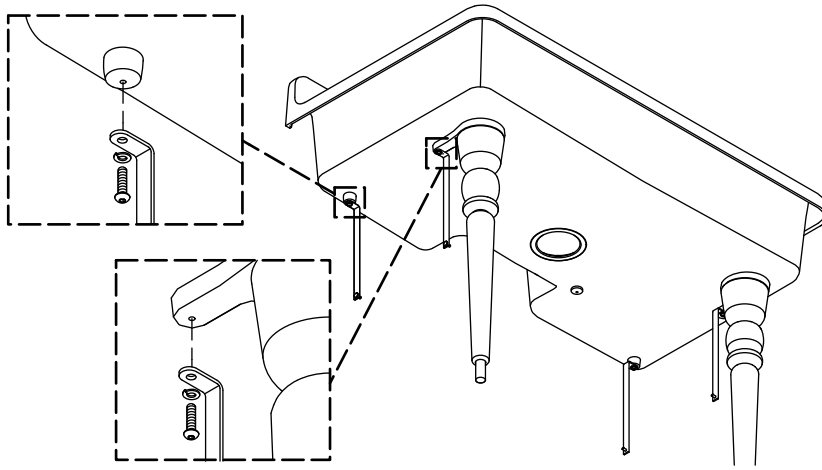




### 1. Remove the Insert (Optional)

**NOTICE:** The center insert will only fit sink installations where no garbage disposal is installed. Follow the steps below to remove the center insert. Skip to the "Position the Sink Shelf" section to leave the center insert installed.

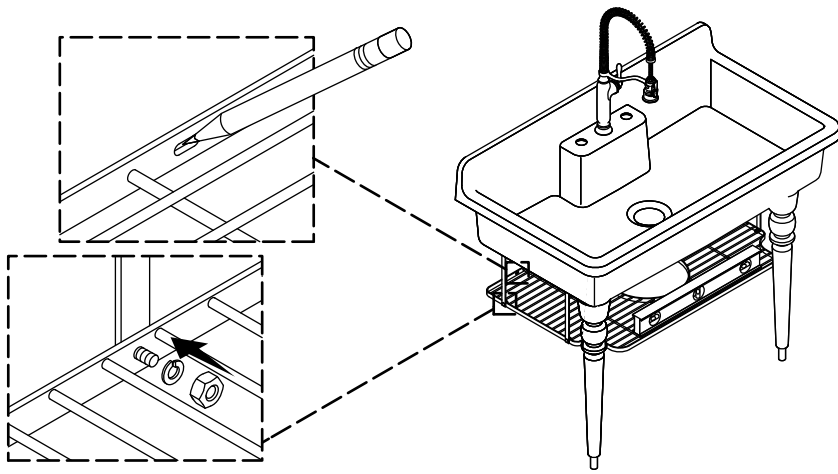
- Firmly hold down the main section of the shelf rack.
- Disengage the four plastic connectors one at a time by carefully pulling upward on the center insert.
- Remove the plastic connectors and the center insert.



## 2. Install the Shelf Hangers

**IMPORTANT!** To ensure a proper installation, install the shelf hangers so the vertical bars are positioned to the inside.

- Use the provided screws and lock washers to attach four shelf hangers to the underside of the sink so the vertical bars are to the inside, as shown.
- Tighten the screws until the hangers are flush against the underside of the sink. Do not securely tighten the screws at this time.



### 3. Position the Sink Shelf

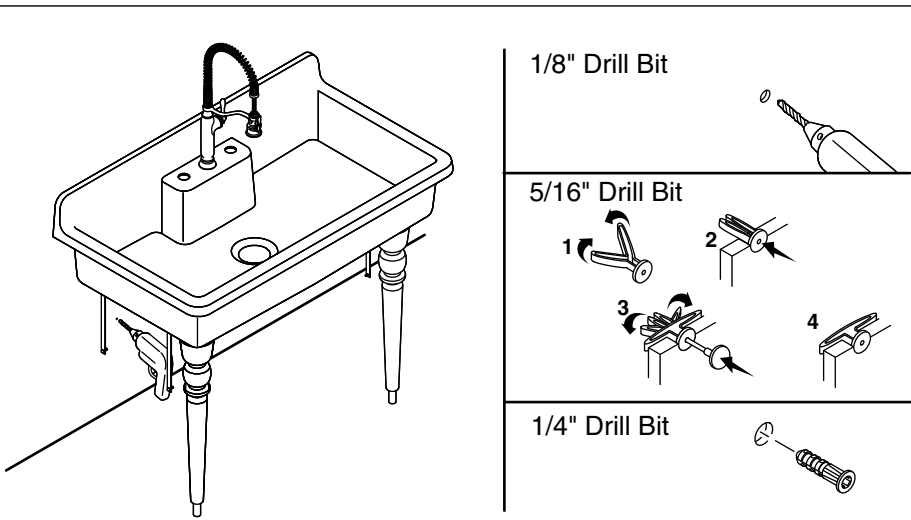
- Position the shelf on the floor beneath the sink.
- Attach the back of the shelf to the two rear hangers using the provided screws, lock washers, and nuts. Tighten the nuts until just snug.
- Repeat for the front of the shelf.
- Level the shelf, and make sure that all four hangers are plumb and straight.
- If you need to adjust the shelf for level, shim with extra washers (provided) between the sink and the hangers.
- Verify that the side-to-side spacing between the sink legs and the front of the shelf is even. Shift the shelf position slightly as needed.

**NOTICE:** Do not rest your arms on the shelf while marking the hole locations. Applying weight to the shelf before you secure it to the wall may cause the shelf to sag or bow.

- Press the shelf against the back wall, and tape it in place.
- Position a level or other straight edge along the back of the shelf to verify that the shelf frame is flat and does not sag or bow. Adjust as needed.
- Use a pencil to mark the wall-mount slot centers on the wall.
- Remove and discard the tape.

**Position the Sink Shelf (cont.)**

- Remove and retain the screws, nuts, and lock washers securing the shelf, and move the shelf away.



#### 4. Drill Holes in the Wall

**NOTICE:** Choose the appropriate drill type and size for the wall material.

##### Drilling Into Studs:

**NOTICE:** If you are drilling into studs, hold the drill at a slight upward angle to ease access to the screws with a screwdriver.

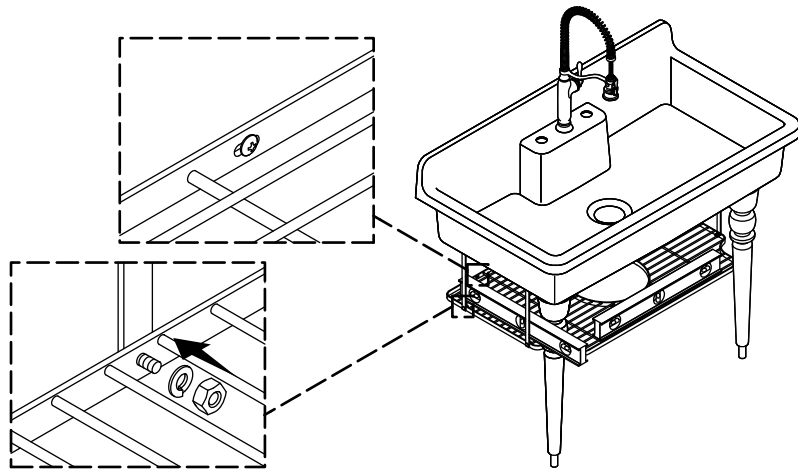
- Use a 1/8" drill bit to drill holes at the marked locations.

##### Drilling Between Studs (Into Drywall):

- Use a 5/16" drill bit to drill holes at the marked locations.
- Use the pin provided to install drywall anchors in the holes.

##### Drilling Into Tile:

- Use a 1/4" drill bit to drill holes at the marked locations.
- Install ceramic anchors in the holes.



## 5. Install the Shelf

- Position the shelf on the floor beneath the sink.
- Attach the back of the shelf to the two rear hangers using screws, lock washers, and nuts. Tighten the nuts until just snug.
- Repeat for the front of the shelf.
- Verify that the side-to-side spacing between the sink legs and the front of the shelf is even. Shift the shelf position slightly as needed.

**NOTICE:** To ease access to the screws, use a Phillips screwdriver from beneath the shelf.

- Use a Phillips screwdriver to secure the shelf to the wall with screws.
- Securely tighten all the remaining hardware.
- Double check that the spacing between the legs is even.
- Use a level or straight edge along the back of the shelf, and double check that the shelf is flat and does not sag. Add extra washers (provided) between the hangers and the sink to correct any sagging.
- Adjust the side-to-side spacing by slightly loosening the wall-mount screws and shifting the shelf right or left as needed. Retighten the screws.

## Care and Cleaning

For best results, keep the following in mind when caring for your KOHLER product:

- Always test your cleaning solution on an inconspicuous area before applying to the entire surface. Cleaners containing chloride are not recommended.
- Wipe surfaces clean and rinse completely with water immediately after applying cleaner. Rinse and dry any overspray that lands on nearby surfaces.
- Do not allow cleaners to soak on surfaces.
- Use a soft, dampened sponge or cloth. Never use an abrasive material such as a brush or scouring pad to clean surfaces.
- Be careful not to leave staining materials in contact with the surface for extended periods of time.
- The ideal cleaning technique is to rinse thoroughly and blot dry any water from the surface after each use.

For detailed cleaning information and products to consider, visit [www.kohler.com/clean](http://www.kohler.com/clean). To order Care & Cleaning information, call 1-800-456-4537.

## Warranty

### ONE-YEAR LIMITED WARRANTY

KOHLER plumbing products are warranted to be free of defects in material and workmanship for one year from date of installation.

Kohler Co. will, at its election, repair, replace or make appropriate adjustment where Kohler Co. inspection discloses any such defects occurring in normal usage within one (1) year after installation. Kohler Co. is not responsible for removal or installation costs. **Use of in-tank toilet cleaners will void the warranty.**

To obtain warranty service contact Kohler Co. either through your Dealer, Plumbing Contractor, Home Center or E-tailer, or by writing Kohler Co., Attn.: Customer Care Center, 444 Highland Drive, Kohler, WI 53044, USA, or by calling 1-800-4-KOHLER (1-800-456-4537) from within the USA and Canada, and 001-800-456-4537 from within Mexico, or visit [www.kohler.com](http://www.kohler.com) within the USA, [www.ca.kohler.com](http://www.ca.kohler.com) from within Canada, or [www.mx.kohler.com](http://www.mx.kohler.com) in Mexico.

**IMPLIED WARRANTIES INCLUDING THAT OF MERCHANTABILITY AND FITNESS FOR A PARTICULAR**

**Warranty (cont.)**

**PURPOSE ARE EXPRESSLY LIMITED IN DURATION TO THE DURATION OF THIS WARRANTY. KOHLER CO. AND/OR SELLER DISCLAIM ANY LIABILITY FOR SPECIAL, INCIDENTAL OR CONSEQUENTIAL DAMAGES.** Some states/provinces do not allow limitations on how long an implied warranty lasts, or the exclusion or limitation of special, incidental or consequential damages, so these limitations and exclusions may not apply to you. This warranty gives you specific legal rights. You may also have other rights which vary from state/province to state/province.

**This is Kohler Co.'s exclusive written warranty.**