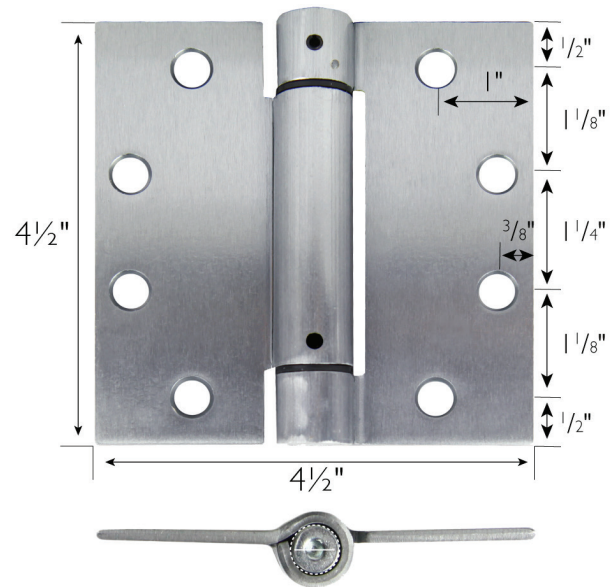
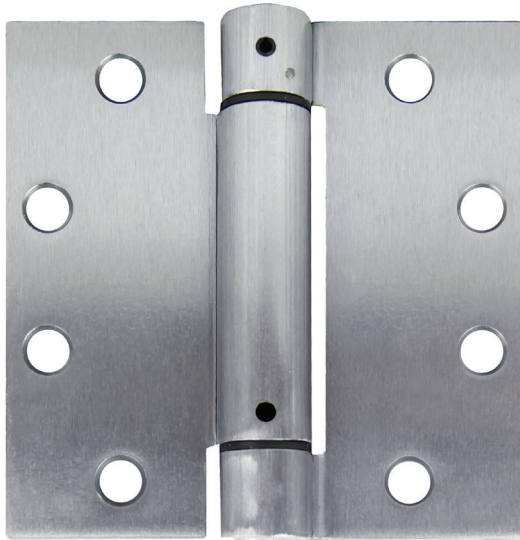


8-Hole 4.5" x 4.5", Square Corner Door Hinge, 2-Pack Satin Chrome



**SPECIFICATIONS**

<b>MATERIAL CONSTRUCTION:</b>	Steel
<b>MOUNTING HARDWARE INCLUDED:</b>	#12 x 3/4" screws x 8 #12 x 1 1/4" screws x 8
<b>TOOLS NEEDED FOR INSTALLATION:</b>	Screwdriver
<b>ASSEMBLED DIMENSIONS:</b>	4.5" H x 4.5" L x 0.13" W
<b>ASSEMBLED WEIGHT:</b>	2.21 lbs.
<b>CORNER RADIUS:</b>	Square Corner
<b>HINGE TYPE:</b>	Spring Hinge

**WARRANTY:** 1-Year limited warranty

**LEGAL FOR SALE IN CALIFORNIA:** Yes



TYPE:  
JOB:  
ORDER CODE:  
APPROVALS: