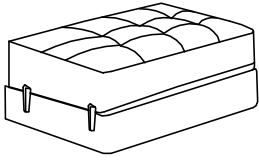


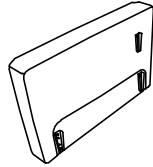
ASSEMBLY INSTRUCTIONS

CHAIR

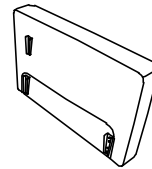
A Seat Frame **B** Left Arm **C** Right Arm **D** Back Rest



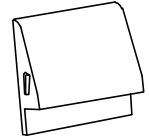
1pc



1pc

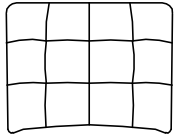


1pc



1pc

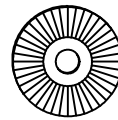
E Back Cushion (store under the Seat Frame) **F** Legs **G** Flat Washer Ø46x2mm



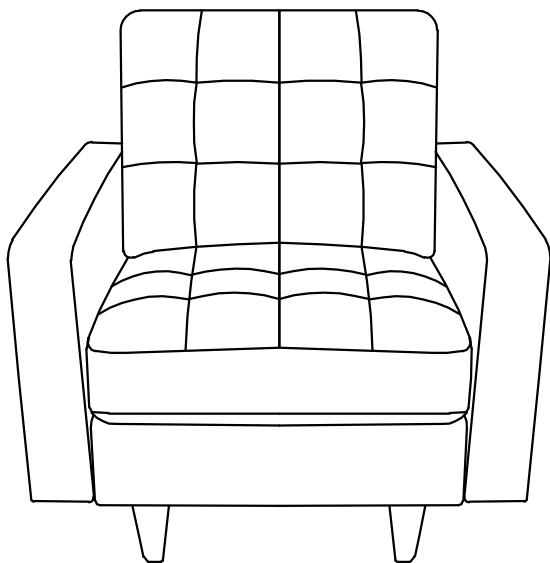
1pc



4pcs

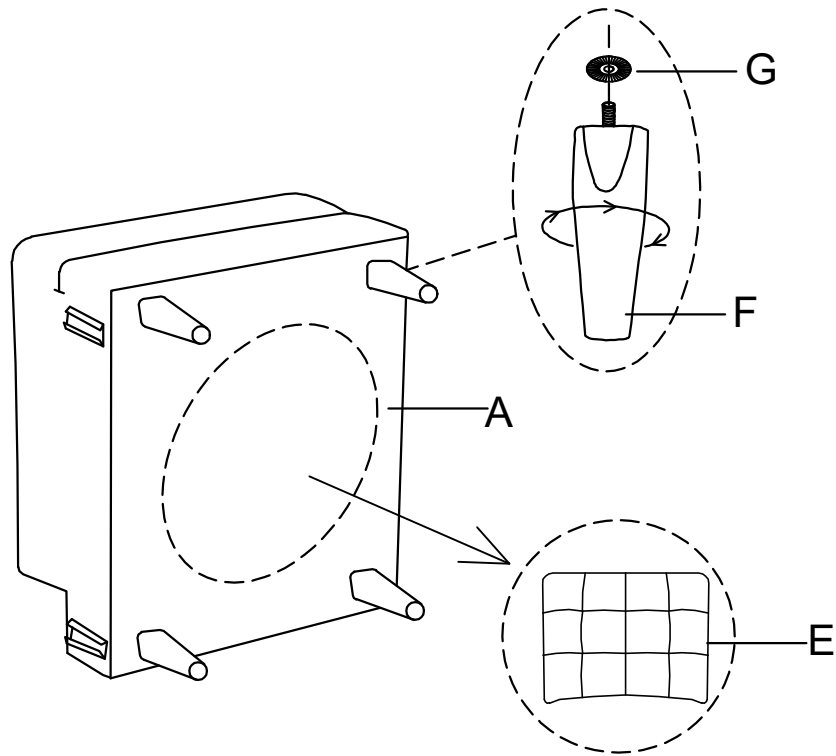


4pcs

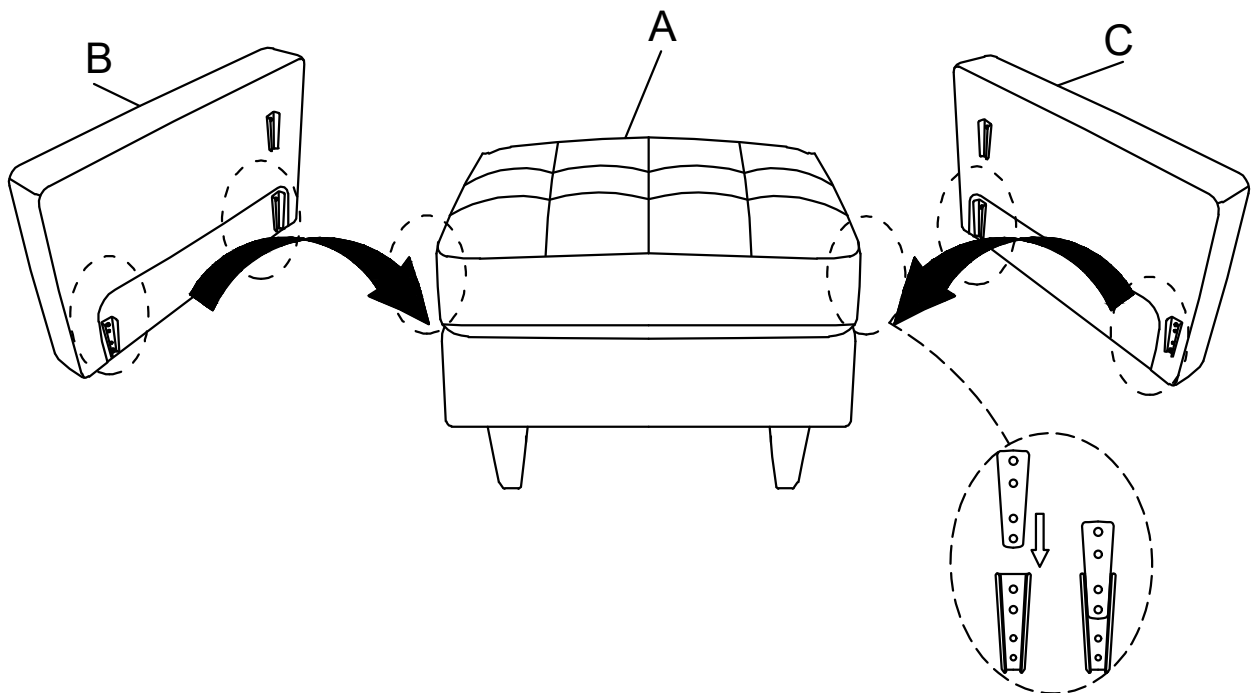


This page lists all the contents included in the box. Please take the time to identify the hardware as well as the individual components to this product. As you unpack and prepare for assembly, place the contents on a carpeted or padded area to protect them from damage.

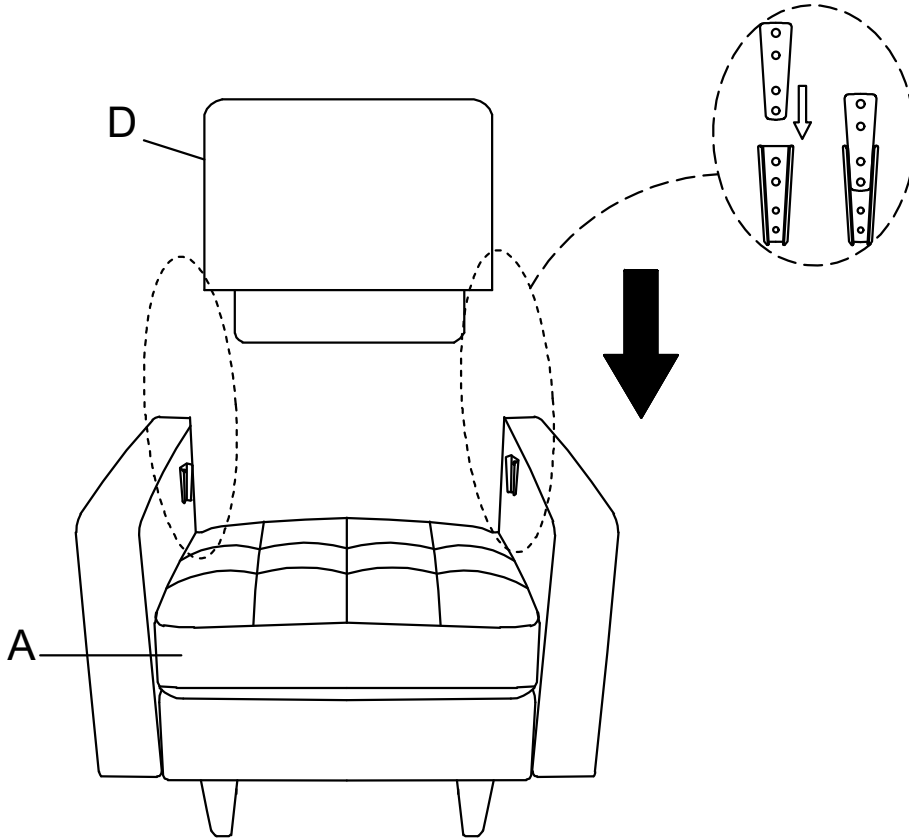
- 1** Please flip over the Seat Frame (A), take out Back Cushion (E) under of it, then align the Legs (F) & Flat Washer (G) to the pre-drilled holes.



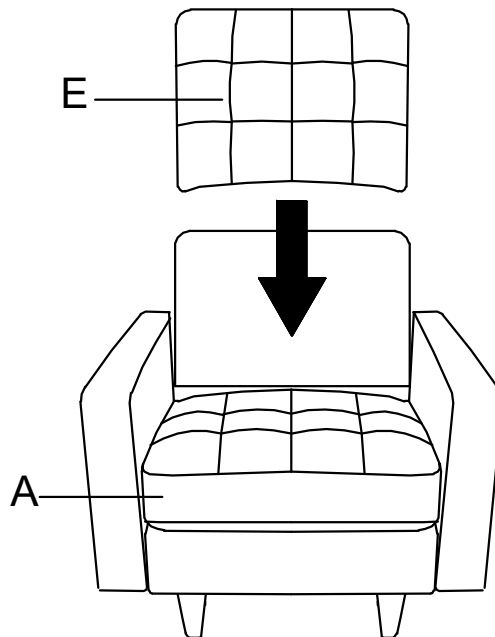
- 2** Hook on the Left Arm (B) & Right Arm (C) to the Seat Frame (A) properly.



3 Hook on the Back Rest (D) to the Seat Frame (A) properly.



4 Put the Back Cushion (E) on Seat Frame (A), the assembly is completed.



Cleaning & Care

Treat surface with care. Surface is resistant to scratches but is not scratch resistant. Clean surfaces with a dry or damp soft cloth. Do not use abrasive cleaners. Hardware may loosen over time. Periodically check that all connections are tight.