

# Installation Instructions

## Freestanding Bath

**Retain serial number for reference.**

**Numéro de série du produit:**

**Número de serie del producto:** \_\_\_\_\_

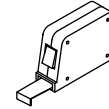
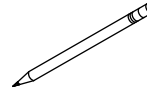
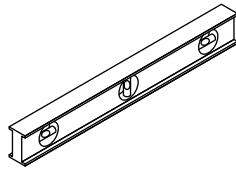
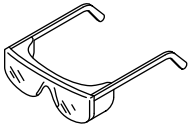
Français, page "Français-1"

Español, página "Español-1"

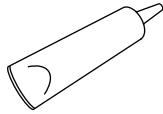
THE BOLD LOOK  
OF **KOHLER**®

1420045-2-A

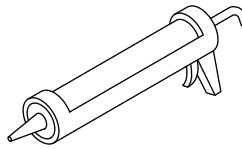
## Tools and Materials



Breathing  
Protection



Construction  
Adhesive



100% Silicone  
Sealant

**Plus:**

- Drop Cloth
- Shims
- 2x4s
- Wood Blocks
- 1/2" (13 mm) Exterior Grade Plywood (for Rim-mount Faucet)

## Before You Begin

**NOTICE:** Adequate floor support must be provided. Note the **model number** on the back of the bath, then visit the product page at [kohler.com](http://kohler.com) for additional information.

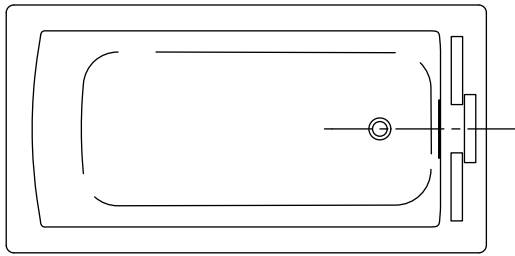
**NOTICE:** Before installing a rim-mount bath faucet, refer to the specification sheet on the bath product page at [kohler.com](http://kohler.com).


**NOTICE:** Provide adequate backer board support for a rim-mount faucet; large faucets that may be inadvertently used as a means of support are not safe for this installation.

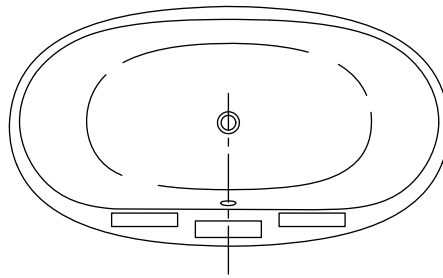
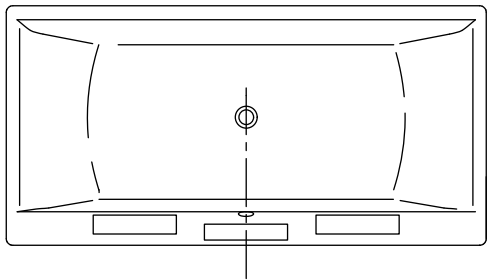
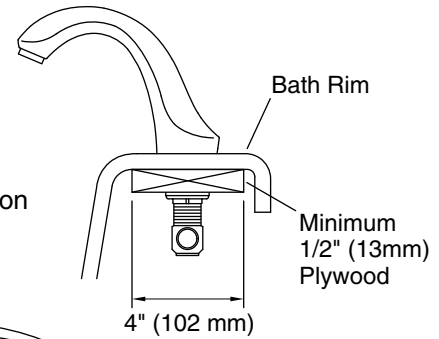
**NOTICE: For Wireless Music Kit:** Refer to the instructions included with the music kit for wiring and installation details.

**IMPORTANT!** To ensure a successful installation, install the bath on a level, finished floor.

- Follow all local plumbing and building codes.
- Unpack and inspect the bath and components for damage. Return the bath and components to the carton until installation.
- To simplify future maintenance, make sure all plumbing connections around the bath are easily accessible.
- Carefully plan moving the bath into the installation area. This bath will not easily fit through doorways.
- Two people are needed to install this product.
- This bath is designed for freestanding installation only.
- If installing a rim-mount faucet, make sure there is no interference above or below the rim before drilling any holes.
- Illustrations shown may not look like your actual product but they still apply to this installation.
- This bath conforms to CSA B45.5/IAPMO Z124. All dimensions are nominal.



 Recommended Faucet Location (See Specification Sheet for Dimensions)



## 1. Prepare the Rim-Mount Faucet (Optional)

**NOTICE:** Before installing a rim-mount bath faucet, refer to the specification sheet on the bath product page at [kohler.com](http://kohler.com) for faucet location dimensions for your model.

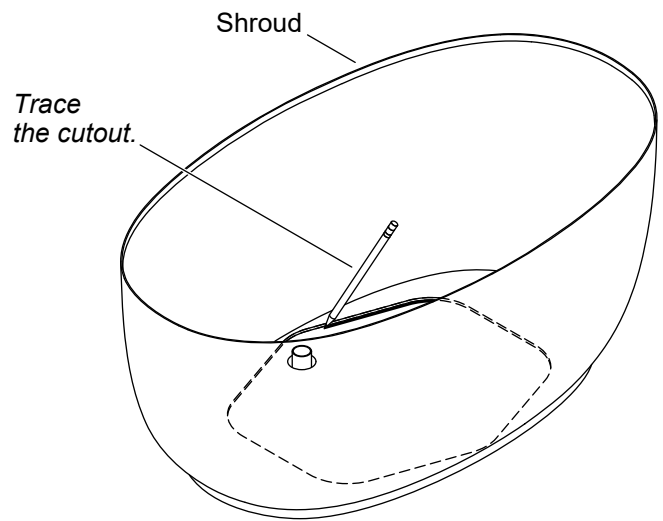
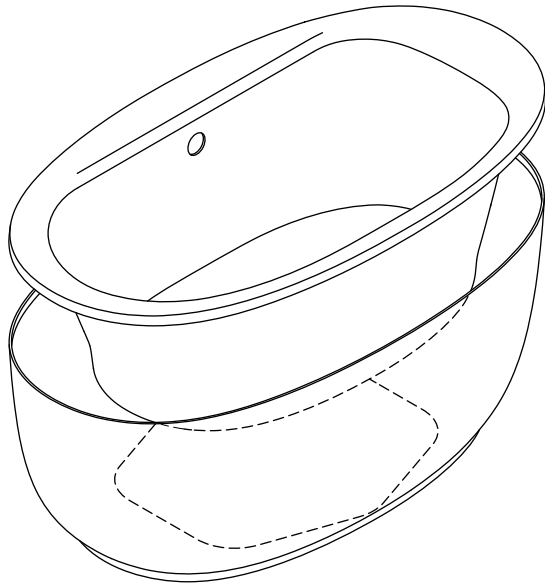
**NOTICE:** To accommodate the bath shroud, use flexible connections to attach the water supplies to a rim-mount faucet.

**NOTICE:** For rim-mount faucet installations, route the water supply lines high enough to permit access for making the final connections from above the shroud.

- Refer to the specification sheet on the bath product page at [kohler.com](http://kohler.com) to determine the recommended faucet location and drain model for your bath.
- Measure and cut a piece of 1/2" (13 mm) exterior grade plywood to support the faucet. The board should be 4" (102 mm) wide. The length should extend beyond the width of the faucet holes to ensure proper support.
- Locate the faucet in the desired location on the bath rim. Make sure the faucet trim fits on the bath rim without overhanging. Make sure there is no interference above or below the rim before drilling any holes.
- Refer to the installation instructions packed with the faucet to determine faucet hole size.
- Use a pencil to mark the faucet hole centerlines. Do not drill the holes at this time.

**CAUTION: Risk of product damage.** To avoid scratching the bath, position a thin piece of cardboard under any clamps before tightening.

- Position the plywood on the underside of the rim, then clamp in place. Make sure the clamps do not directly contact the finished surface of the bath.
- Carefully drill the faucet holes.
- Install the valve according to the installation instructions included with the valve. **Do not** install the faucet trim until instructed.



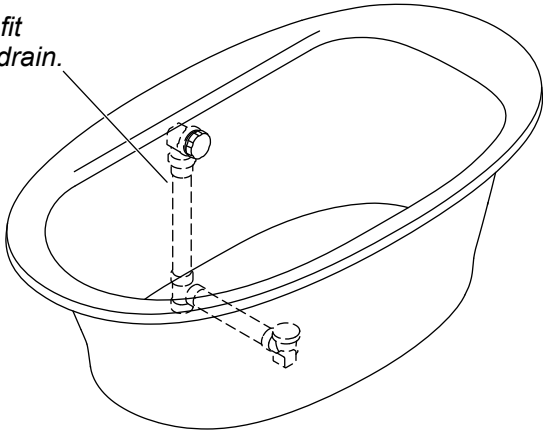
## 2. Prepare the Site

**IMPORTANT!** To ensure a successful installation, install the bath on a level, finished floor.

**IMPORTANT!** Make sure the subfloor offers adequate support for the bath.

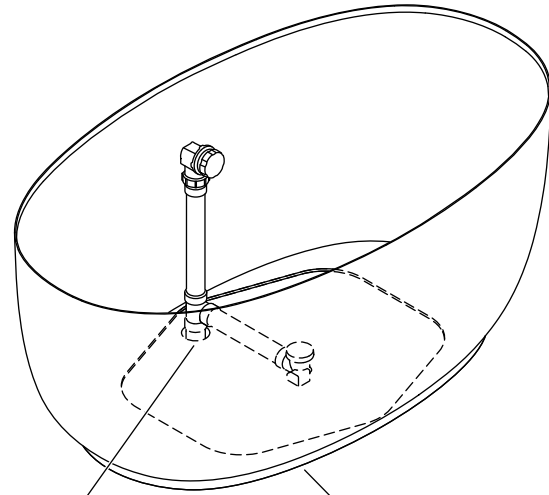
- Temporarily position the bath and shroud in the installation location.
- Verify that the **bath** is level. Shim under the bath if necessary, and secure the shims to the bath.
- Without moving the shroud, lift and remove the bath from the shroud.
- Trace the shroud cutout area onto the floor.
- Remove the shroud and set it aside.
- Refer to the specification sheet on the bath product page at [kohler.com](http://kohler.com) to determine any drain clearance requirements, and cut adequate floor clearance as needed.
- Refer to the specification sheet on the bath product page at [kohler.com](http://kohler.com) for drain height details. Position and install a standard PVC or brass bath drain pipe to the correct height.

*Dry fit  
the drain.*



Drain Pipe

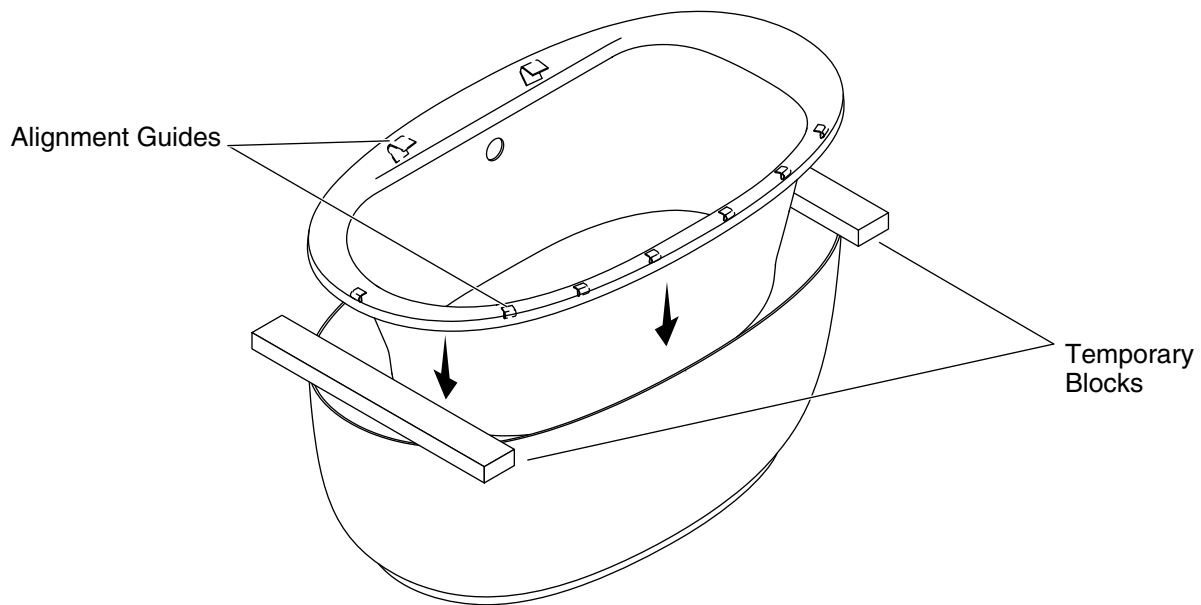
*Apply construction  
adhesive before  
final positioning.*



### 3. Prepare the Bath

**NOTICE:** Refer to the drain instructions to dry fit the drain to the bath. **Do not cement and complete the drain installation until instructed.**

- Dry fit the drain assembly to the bath. Refer to the drain instructions. **Do not apply sealant or cement** to the drain components at this time.
- Loosen the drain and overflow connections from the bath, and remove the drain assembly from the bath.
- Dry fit the drain assembly to the drain pipe, which has already been cut to the correct height.
- Temporarily position the shroud in place over the drain assembly.
- With help, temporarily lift the bath into place in the shroud. Make sure the bath rim is completely seated over the shroud to engage the alignment guides.
- Verify that the drain and overflow connections line up properly with the drain and overflow holes on the bath. Measure and record any adjustments needed to the drain or overflow tube lengths.
- Remove the bath and shroud, leaving the drain and overflow assembly attached to the drain pipe.
- Adjust the length of the drain tubes as needed to ensure drain alignment with the drain and overflow holes in the bath.
- Repeat these drain fit steps until the drain and overflow connections line up with the drain and overflow holes in the bath.
- Cement and assemble the drain and overflow components. Connect the drain tee to the drain pipe.
- Apply 100% silicone sealant to both sides of the drain and overflow gaskets.
- Apply slow-drying construction adhesive to the bottom of the shroud.
- Carefully position the shroud over the drain, aligning the hole with the traced mark on the floor.
- **Optional:** For extra stability, secure the shroud to the floor using four screws (not provided).



#### 4. Install the Bath

**NOTE:** To provide access for securing the connections, temporarily position block spacers on opposing ends between the shroud and the bath rim. Position the blocks to avoid damaging the alignment guides located under the bath rim. The type of alignment guides may vary by product.

- With help, carefully lift the bath into place over the shroud and onto the temporary blocks.
- **For Wireless Music Kit:** Refer to the instructions included with the music kit for wiring and installation details, and make the final electrical connections.
- Secure all drain connections and fittings according to the drain instructions.
- For a rim-mount faucet, install the faucet and trim according to the faucet and trim instructions. Make sure there is adequate support under the bath rim to support the faucet. Refer to the "Prepare the Rim-Mount Faucet (Optional)" section.
- Carefully remove the blocks and make sure the bath rim engages the top of the shroud on all sides. Ensure **all** alignment guides are inside the shroud; there should be no gap between the bath and the shroud.
- Install the drain flange and overflow cover according to the drain instructions.
- Close the bath drain. Fill the bath to the overflow, and check for leaks.
- If desired, apply a thin, continuous bead of clear or color-matched 100% silicone sealant to the seam between the shroud and the finished floor.

## Warranty

**Need help?** Contact our Customer Care Center.  
USA/Canada: 1-800-4KOHLER (1-800-456-4537)  
Mexico: 001-800-456-4537

**For service parts information**, visit [kohler.com/serviceparts](http://kohler.com/serviceparts).

**For care and cleaning information**, visit [kohler.com/clean](http://kohler.com/clean).

This product is covered under the **KOHLER® Plastic Baths and Receptors Lifetime Limited Warranty**, found at [kohler.com/warranty](http://kohler.com/warranty).

For a hardcopy of warranty terms, contact the Customer Care Center.