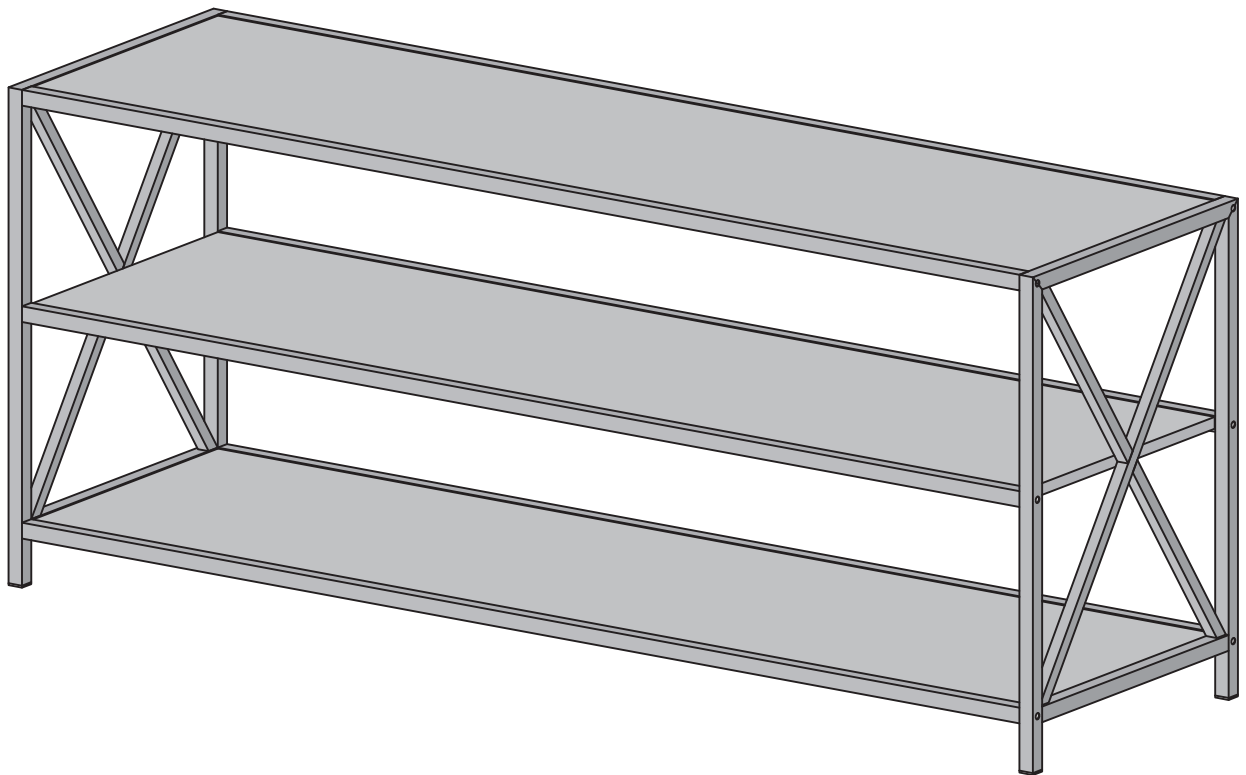


**W** Walker<sup>®</sup>  
Edison  
furniture company

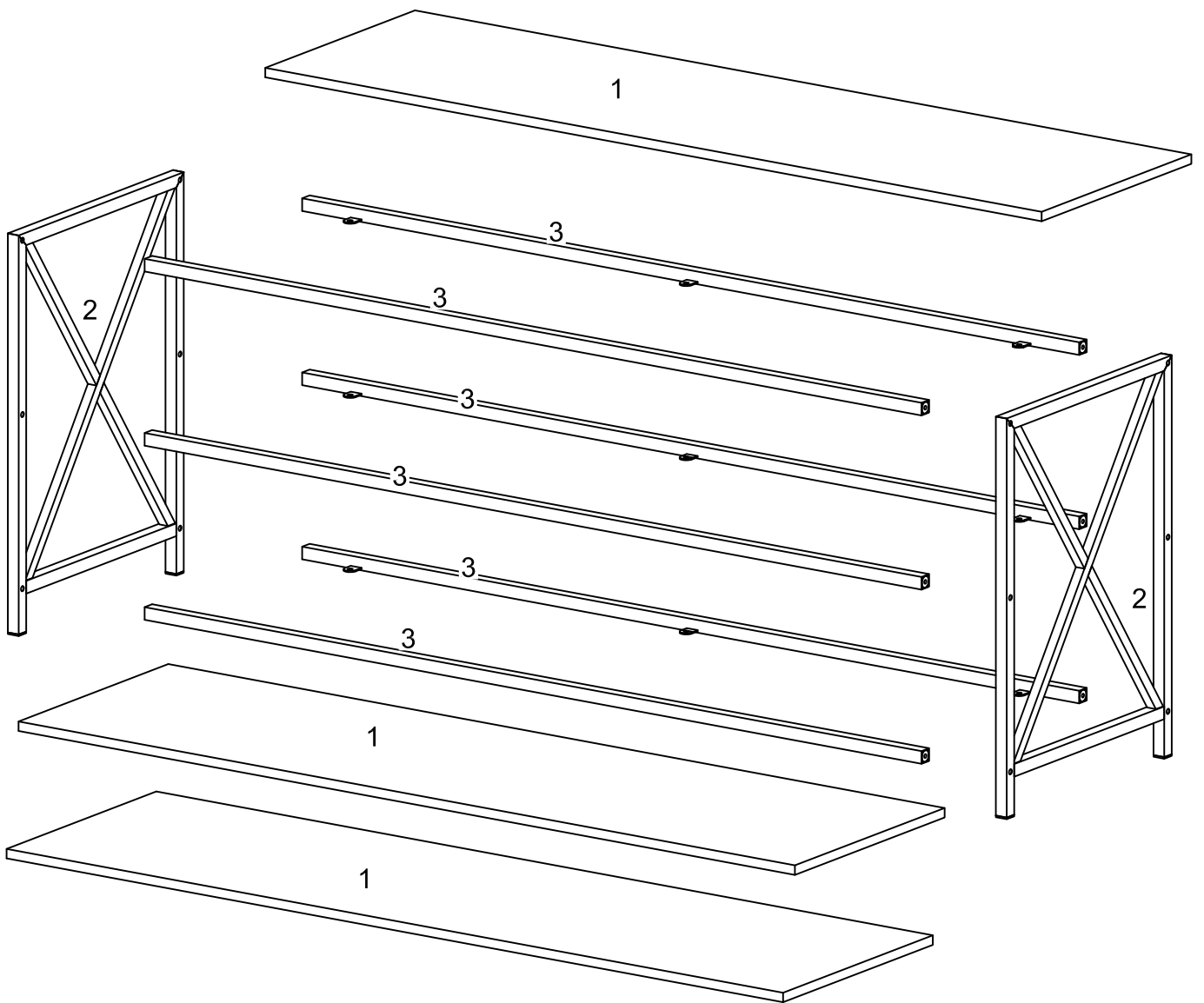
Item # : BS60XMW  
Assembly Instructions






*Please visit our website for the most current instructions, assembly tips, report damage, or request parts. [www.walkeredison.com](http://www.walkeredison.com)*

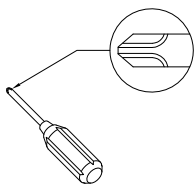
Revised 03/2017

# Parts List



# Hardware List

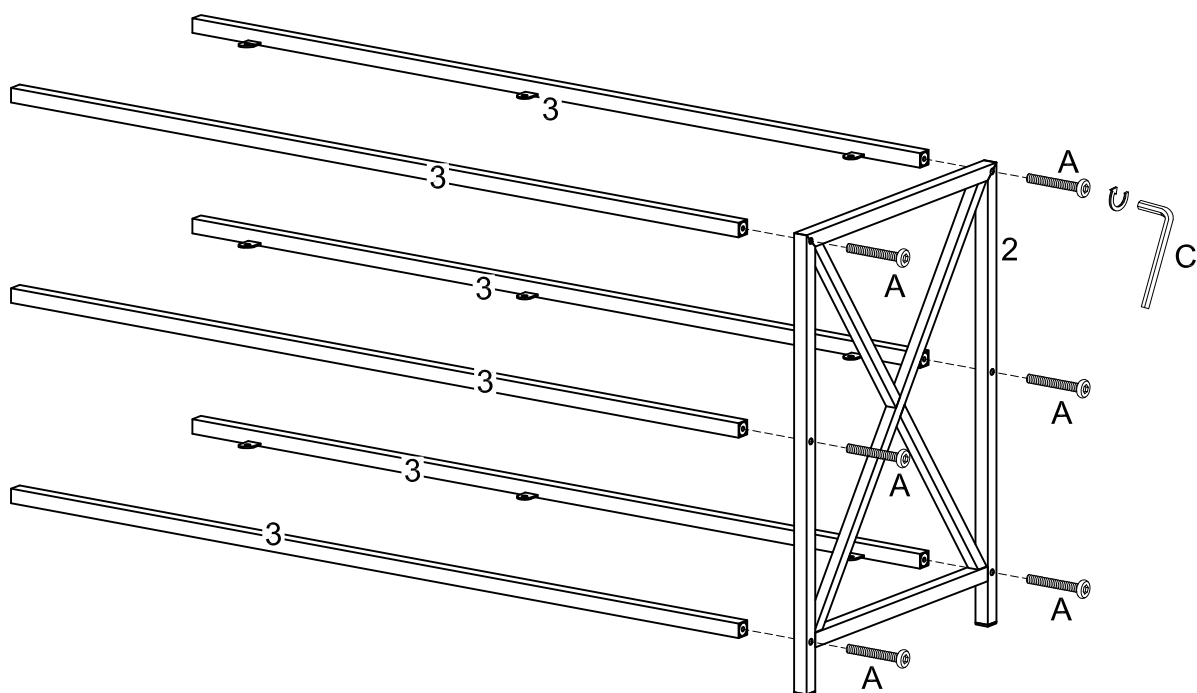
A		Ø1/4"x12mm	Bolt	18 pcs
B		Ø1/4"x30mm	Bolt	12 pcs
C		M4x55	Wrench	1 pc



Philips head screwdriver required for assembly  
(not included)

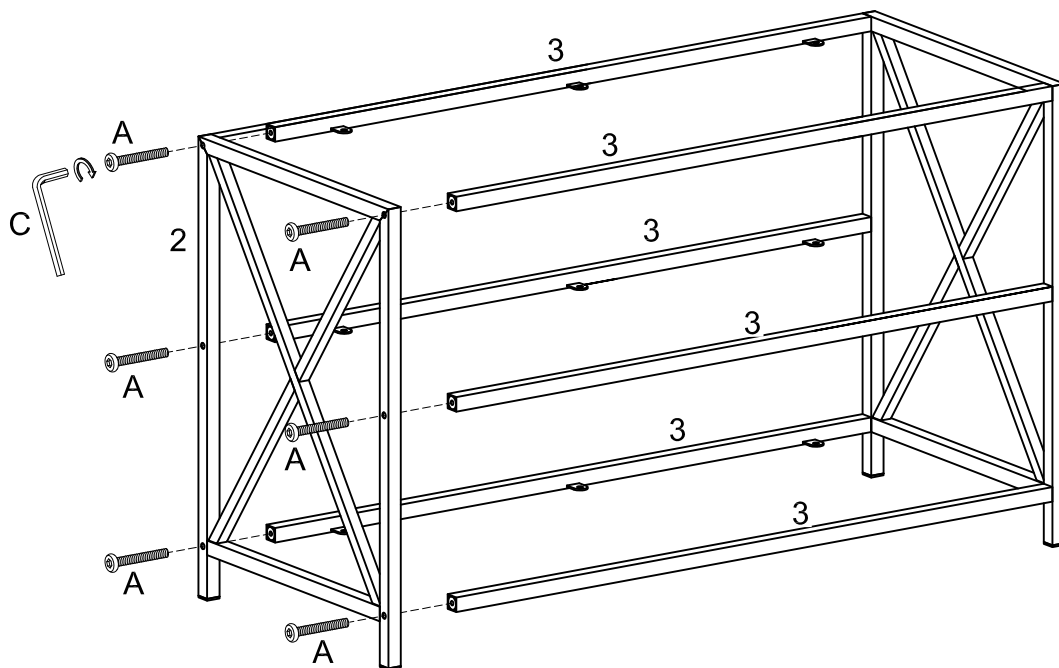
*The hardware quantities listed above are required for proper assembly.  
Some extra hardware may also have been included.*

# Step 1



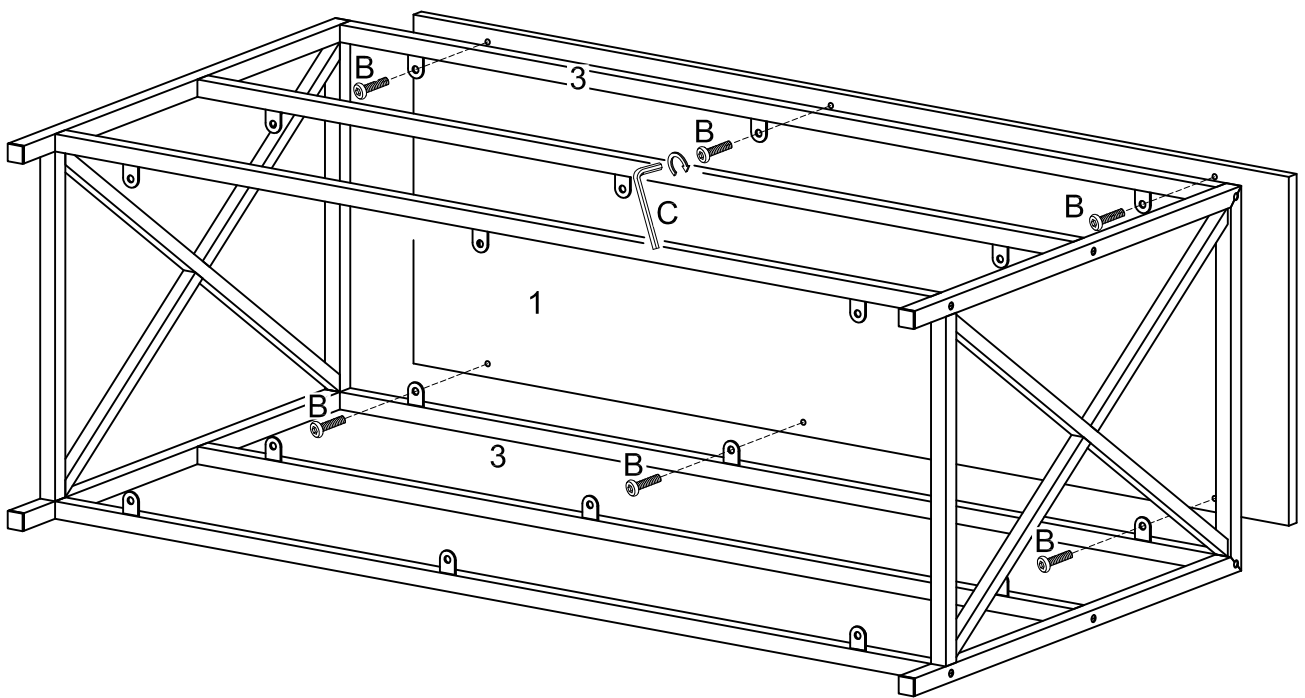
Use Wrench (C), Bolt (A) to secure the Support Bar (3) to the Side Frame (2).

# Step 2



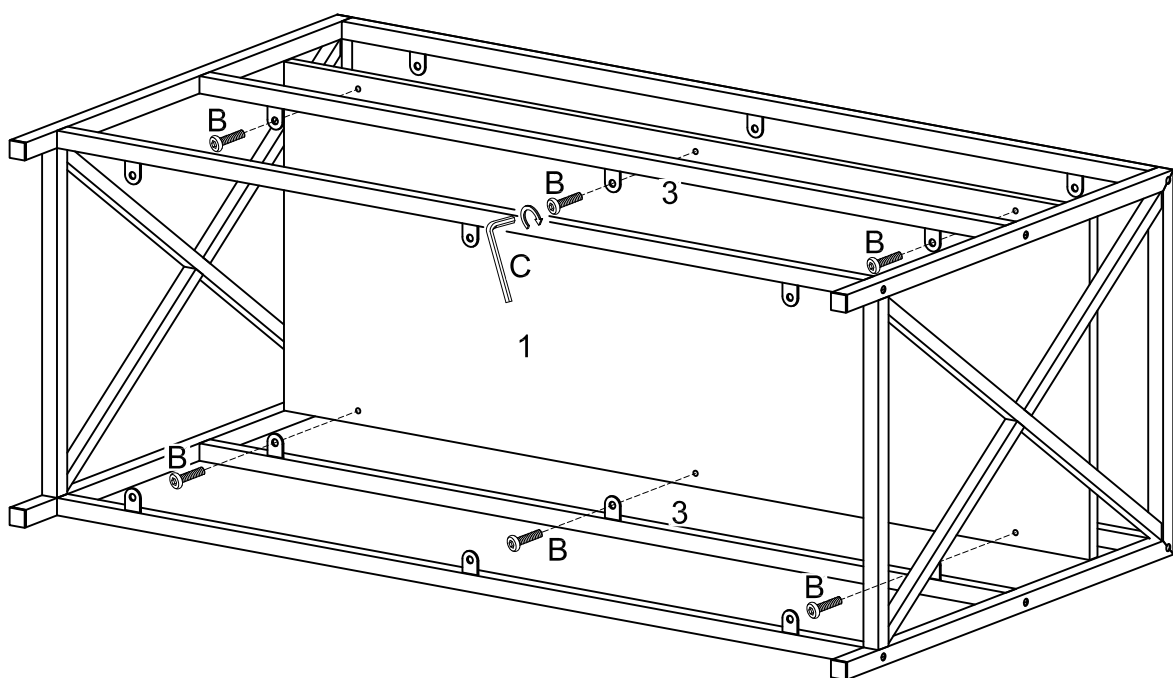
Use Wrench (C), Bolt (A) to secure the Support Bar (3) to the Side Frame (2).

## Step 3



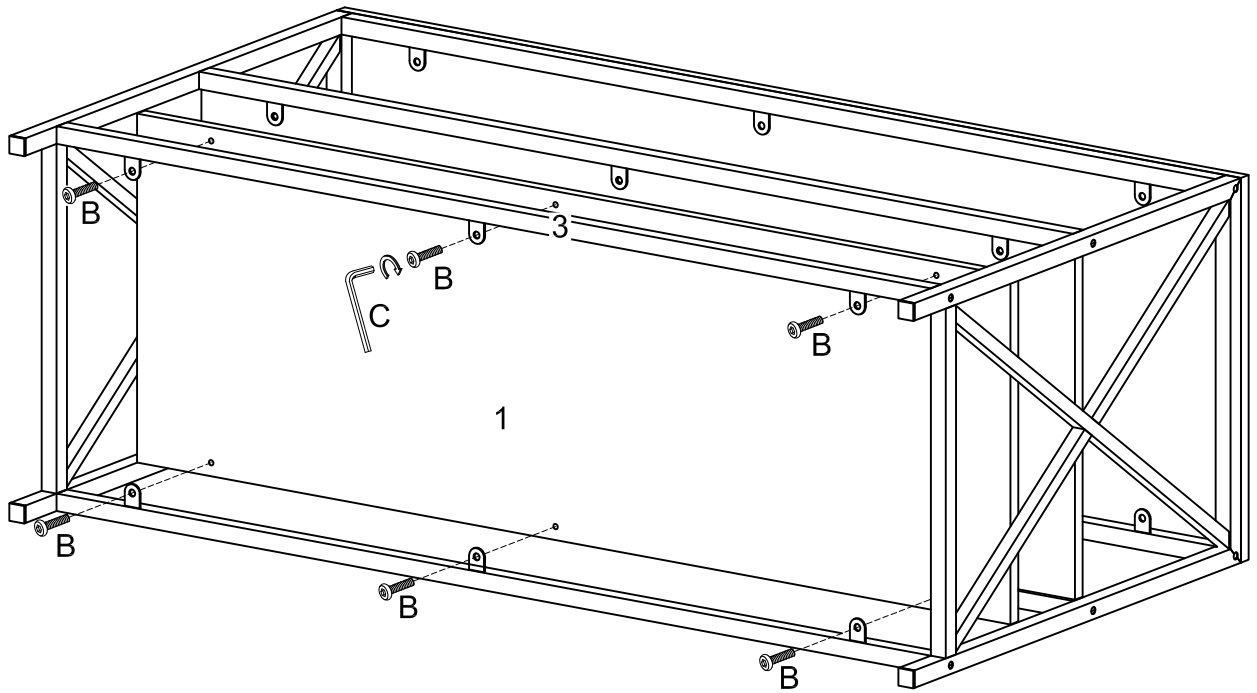
Use Wrench (C), Bolt (B) to secure the Support Bar (3) to the Top Panel (1).

## Step 4



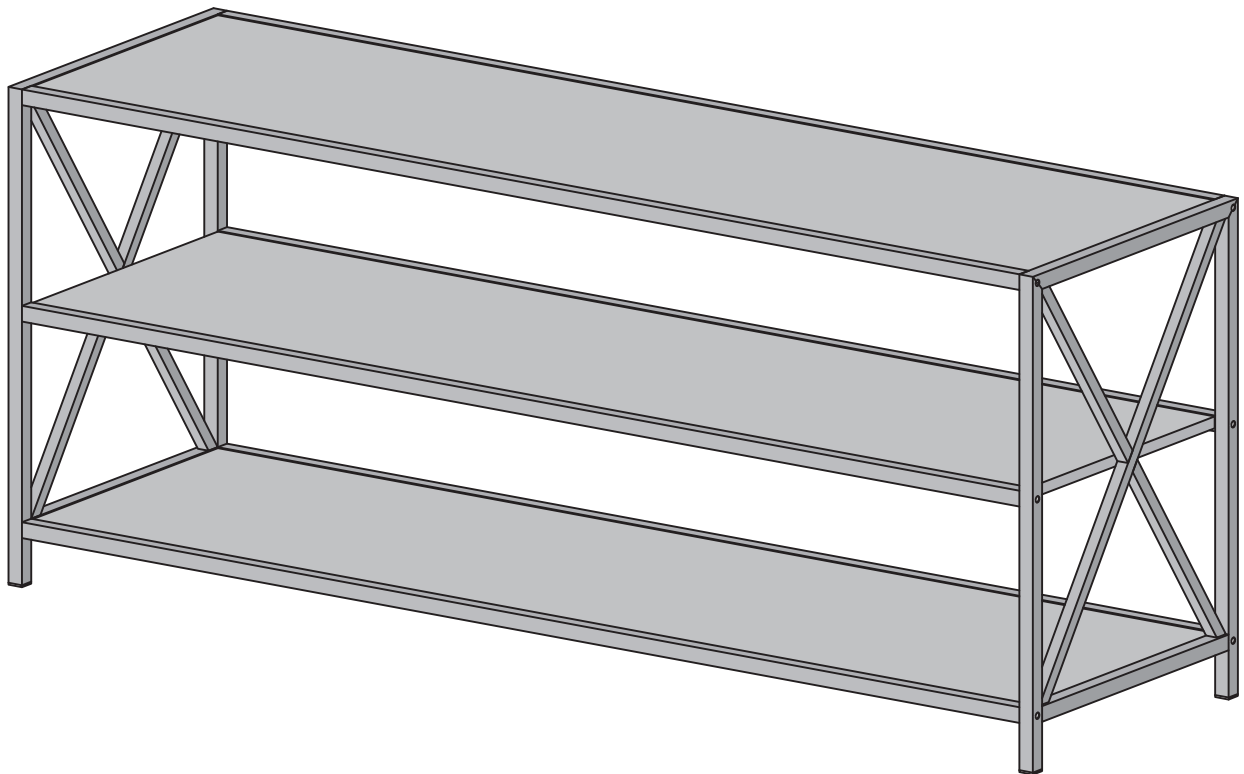
Use Wrench (C), Bolt (B) to secure the Support Bar (3) to the Shelf (1).

## Step 5



Use Wrench (C), Bolt (B) to secure the Support Bar (3) to the Bottom Panel (1).

## Step 6



## Final Assembly