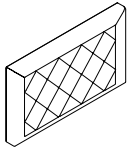
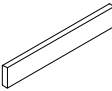


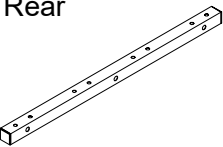
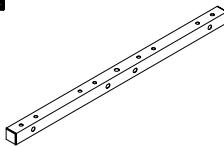
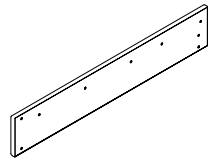
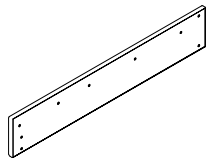

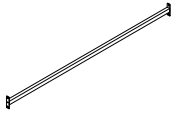
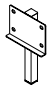
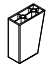
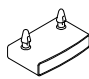
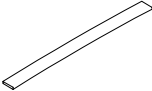
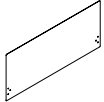
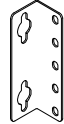
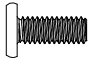


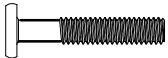
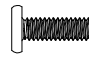


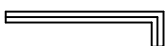
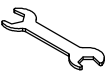
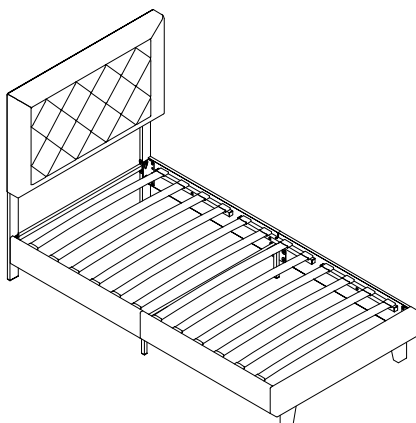


ASSEMBLY INSTRUCTION

PLATFORM TWIN BED

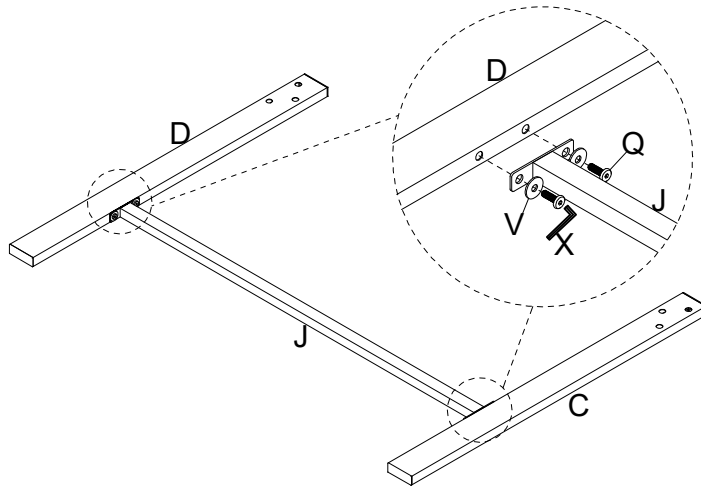
A Headboard  1PC	B Footboard  1PC	C Lsf Headboard Post  1PC	D Rsf Headboard Post  1PC
E Rail Cleat - Front / Rear  4PCS	F Rail Cleat - Center  2PCS	G Rail Section - Front  2PCS	H Rail Section - Rear  2PCS
I Center Support Bar  1PC	J Headboard Support Bar  1PC	K Rail Support Leg  2PCS	L Leg  2PCS
M Side Slat Connector  24PCS	N Slat  12PCS	O Fabric Cover  1PC	P Bracket 150 x 40 x 40mm  4PCS
Q Bolt 5/16" x 19mm  12PCS	R Bolt 1/4" x 45mm  2PCS	S Bolt 1/4" x 40mm  20PCS	T Bolt 5/16" x 54mm  8PCS
U Bolt 1/4" x 19mm  16PCS	V Washer Ø20 x Ø8.5 x 2mm  26PCS	W Nut 1/4"  2PCS	X L-Allen Key 4mm  1PC
Y Wrench 1/4" x 5/16"  1PC			



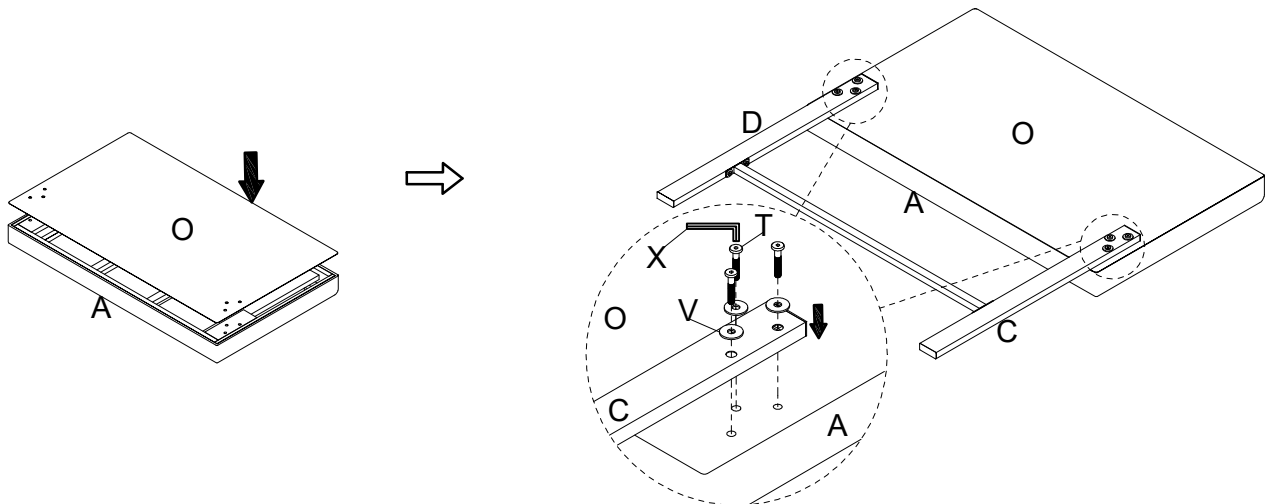
This page lists all the contents included in the box. Please take the time to identify the hardware as well as the individual components to this product. As you unpack and prepare for assembly, place the contents on a carpeted or padded area to protect them from damage.

1

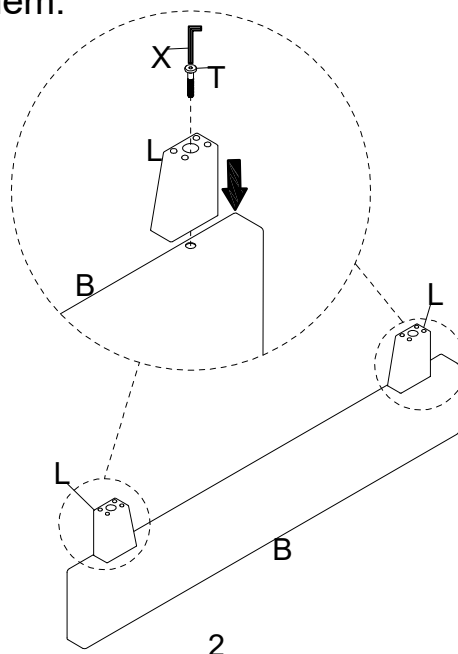
Attach the Headboard Support Bar (J) to the Headboard Posts (C) & (D), insert the Bolt (Q) and the Washer (V), turn the L-Allen Key (X) to tighten them.

**2**

Cover the Fabric Cover (O) to the back of Headboard (A). Attach the Lsf Headboard Post (C) and Rsf Headboard Post (D) to Fabric Cover (O) and the Headboard (A), insert the Bolt (T) and the Washer (V), turn the L-Allen Key (X) to tighten them.

**3**

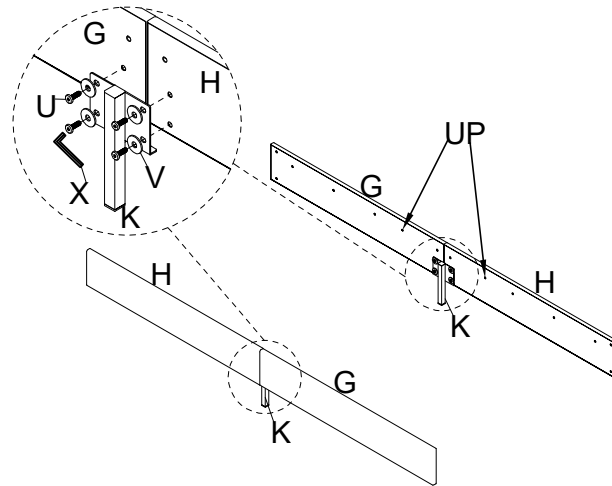
Attach Leg (L) to the Footboard (B), insert the Bolt (T), turn the L-Allen Key (X) to tighten them.



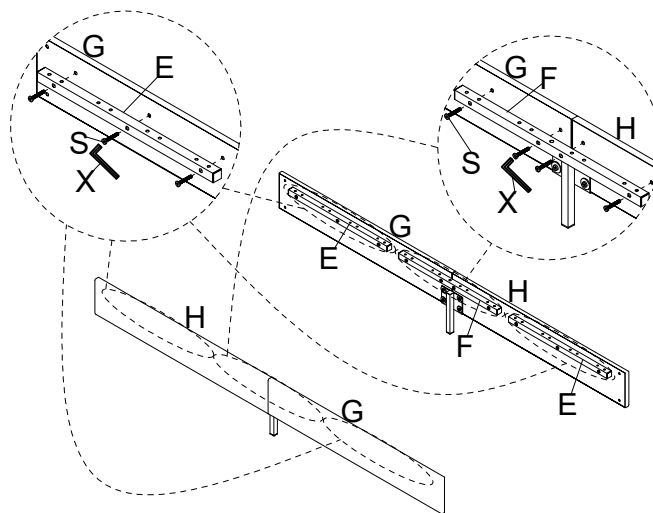
4

Attach the Rail Support Leg (K) to the Rail Sections (G) & (H), insert the Bolt (U) and Washer (V), turn the L-Allen Key (X) to tighten them.

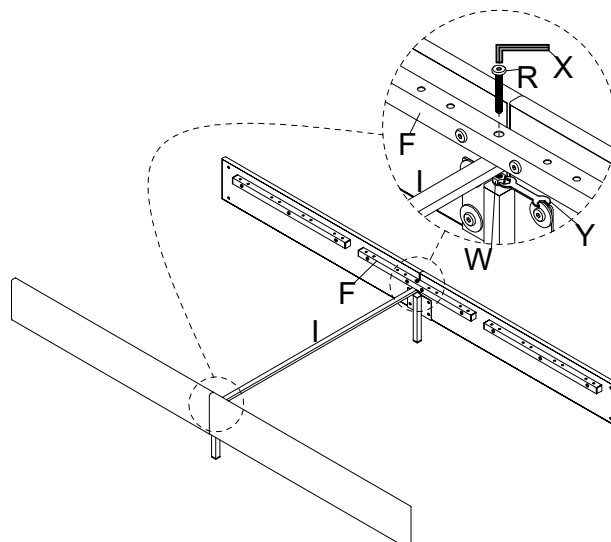
NOTE: The side with more screw holes should be up.

**5**

Attach the Rail Cleats (E) & (F) to the Rail Sections (G) & (H), insert the Bolt (S), turn the L-Allen Key (X) to tighten them.

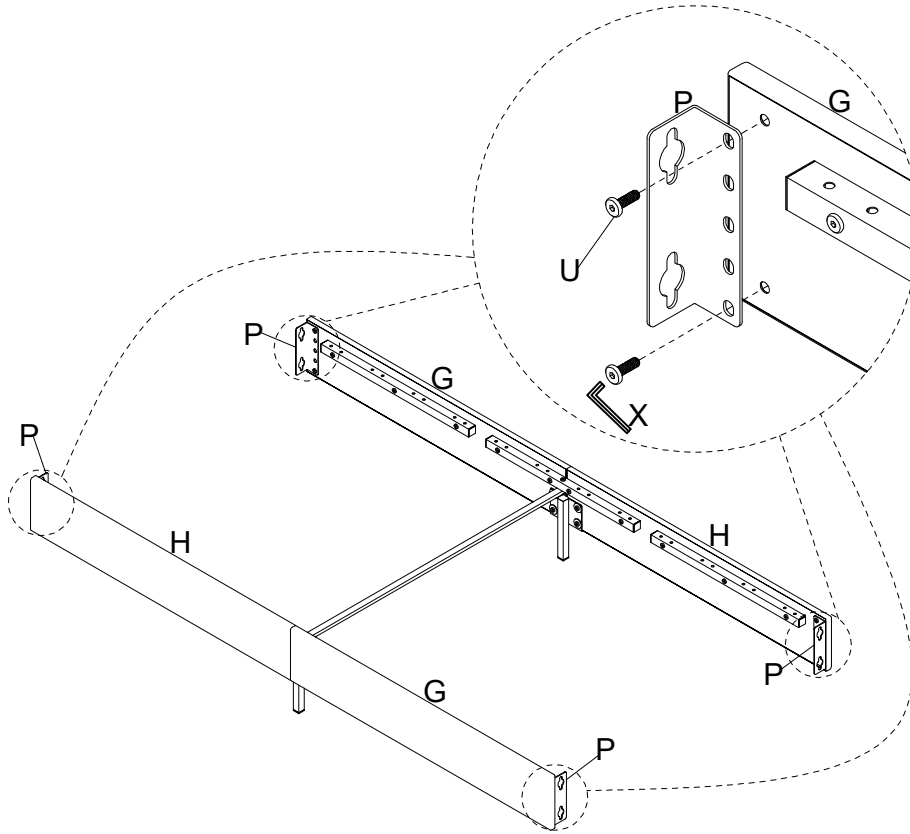
**6**

Attach the Center Support Bar (I) to the Rail Cleat - Center (F), insert the Bolt (R) and Nut (W), turn the L-Allen Key (X) and Wrench (Y) to tighten them.

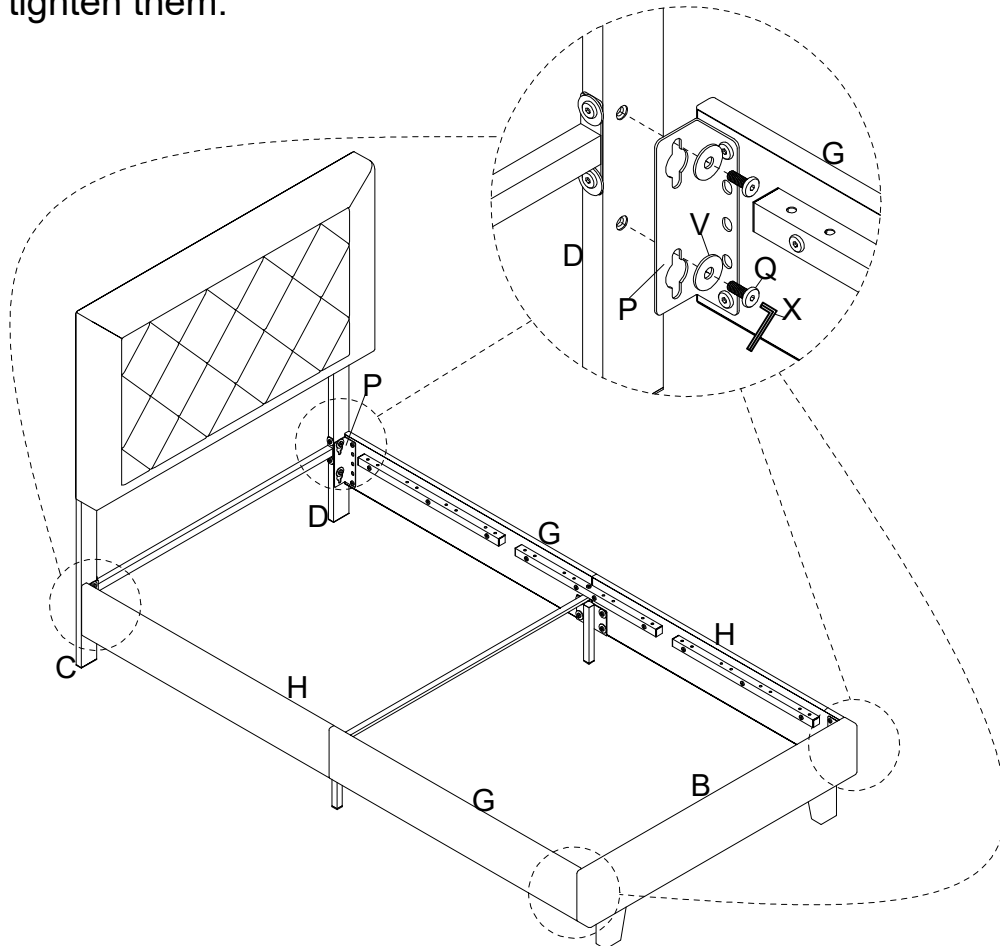


7

Attach the Bracket (P) to the Rail Sections (G) & (H), insert the Bolt (U), turn the L-Allen Key (X) to tighten them.

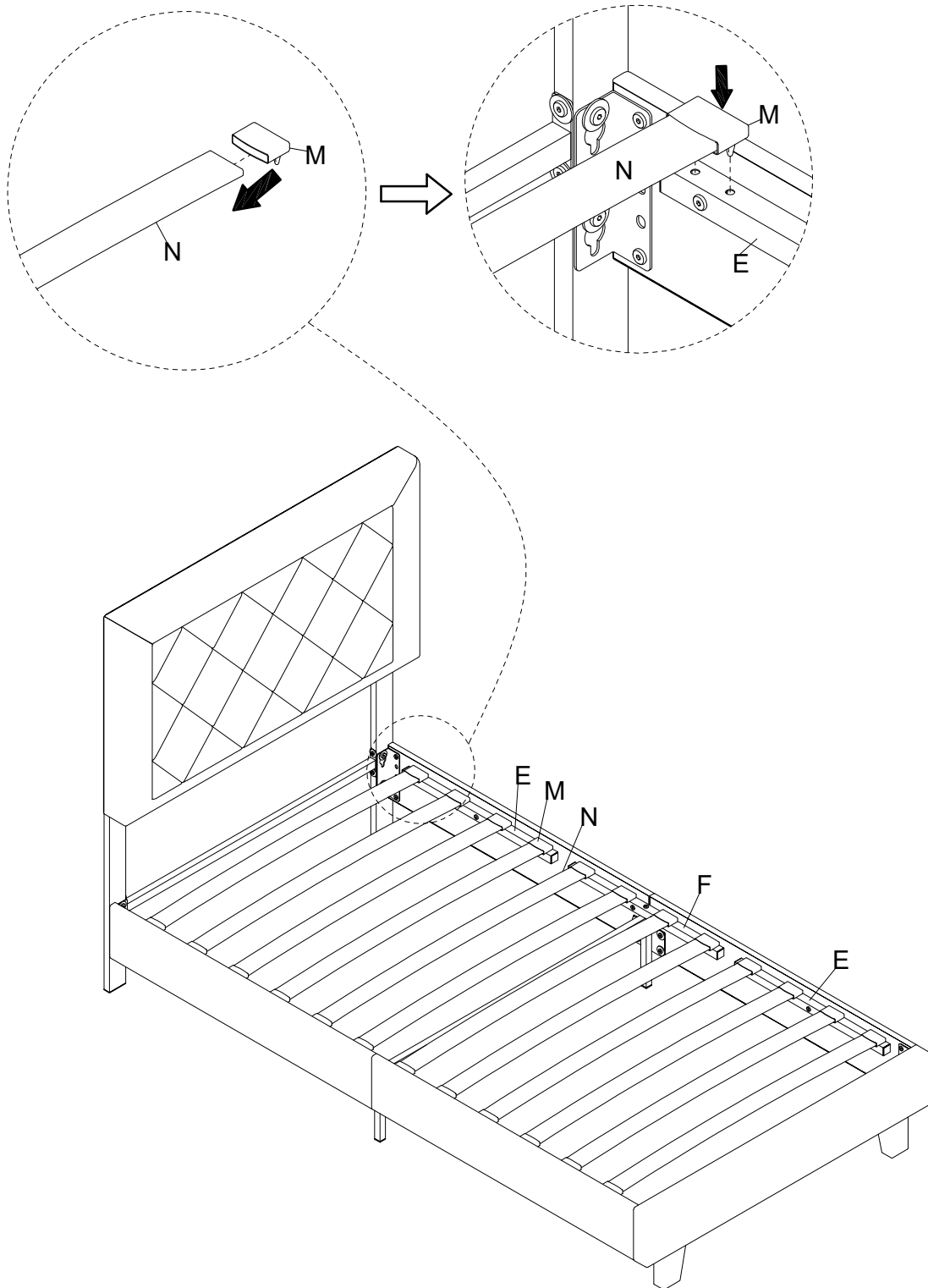
**8**

Attach the Bracket (P) to the Headboard Posts (C) & (D) and the Footboard (B), insert the Bolt (Q) and Washer (V), turn the L-Allen Key (X) to tighten them.



9

Insert the Side Slat Connector (M) to the both sides of Slat (N). Press the Side Slat Connector (M) to the holes of Rail Cleats (E) & (F).



Cleaning & Care

Treat surface with care. Surface is resistant to scratches but is not scratch resistant. Clean surfaces with a dry or damp soft cloth. Do not use abrasive cleaners. Hardware may loosen over time. Periodically check that all connections are tight.