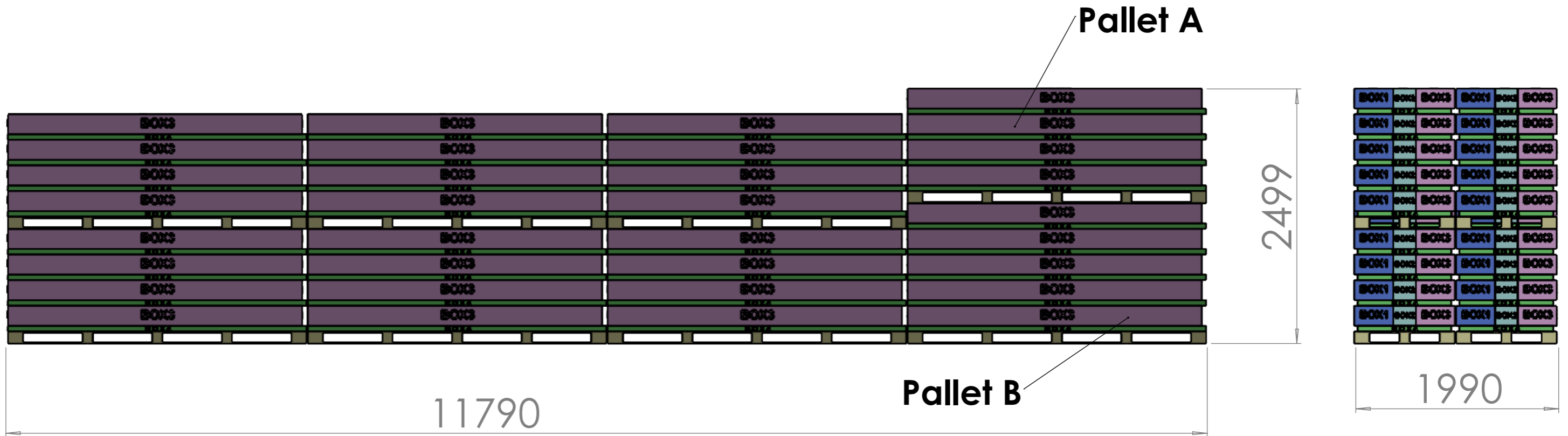


2306080B Stonebridge Gazebo Loading Diagram

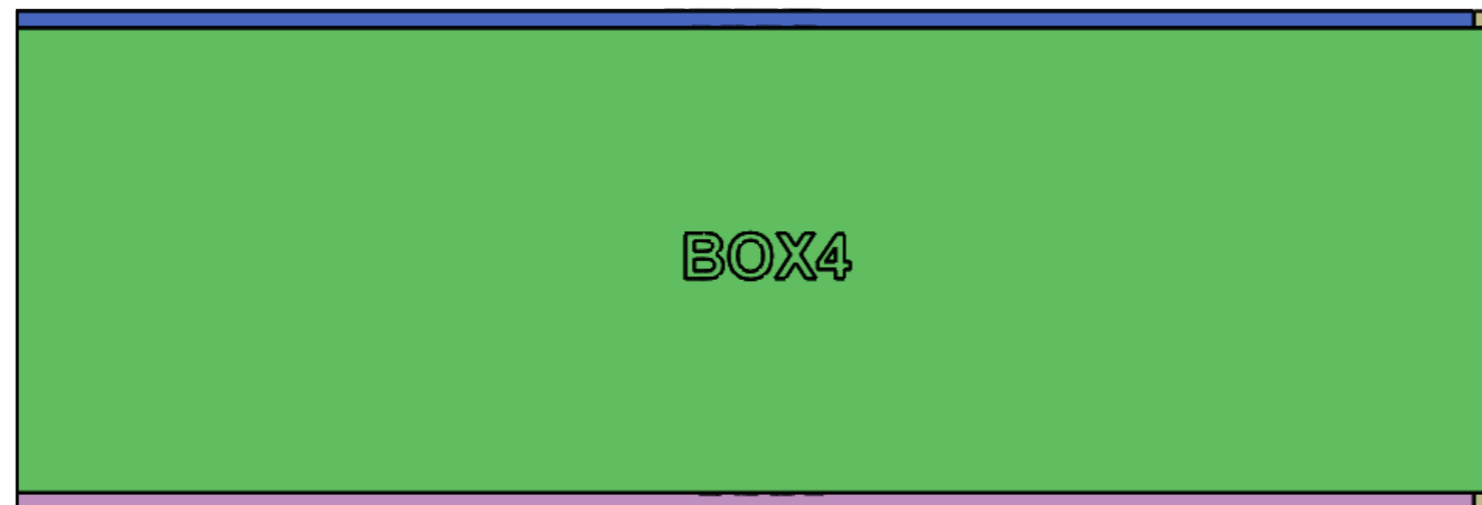
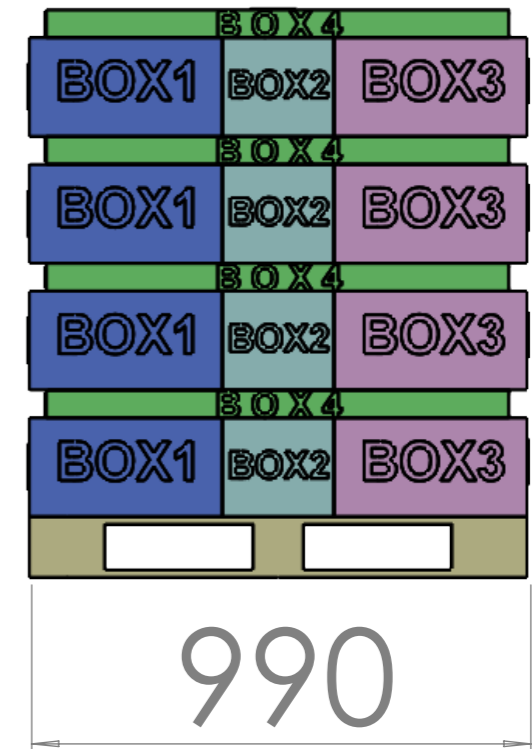
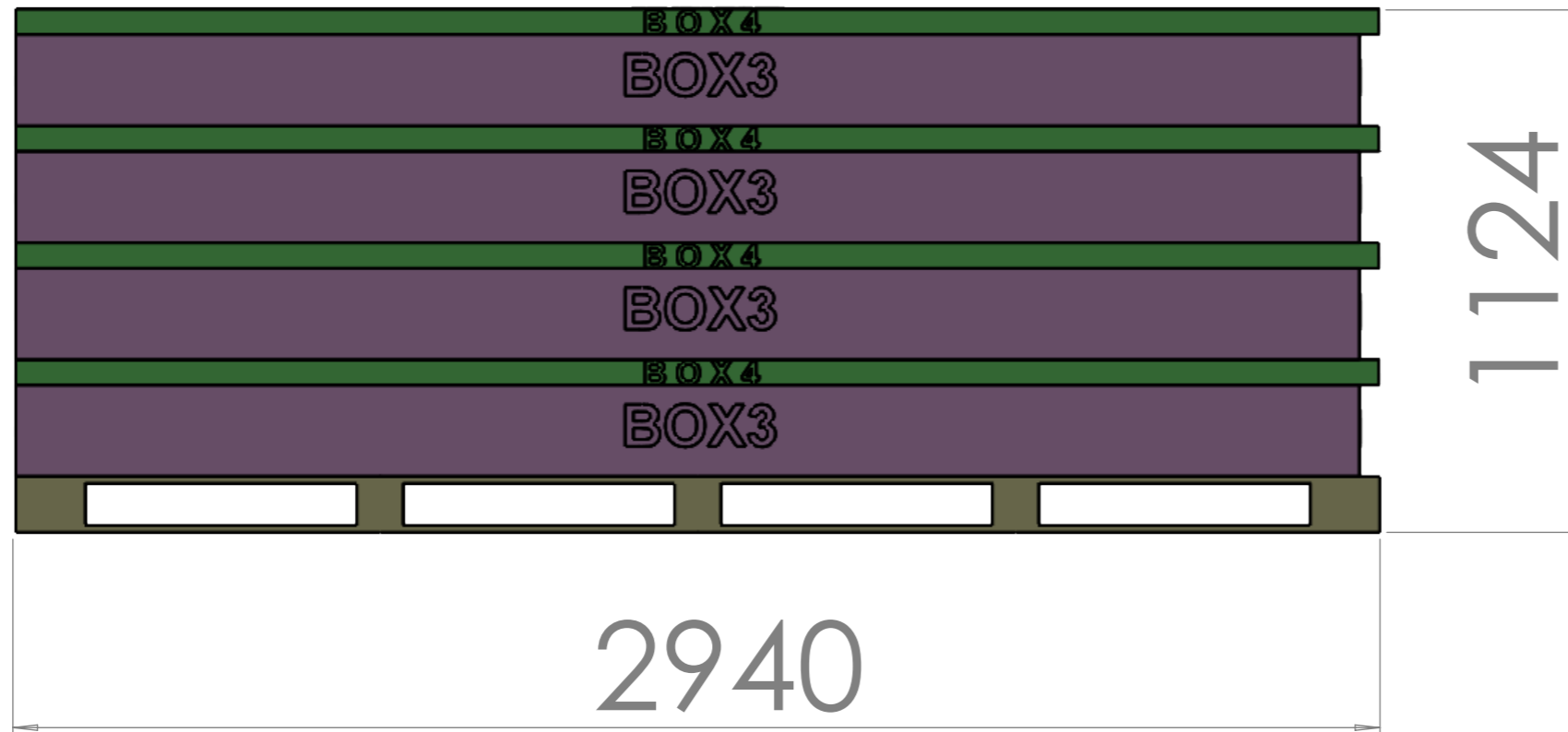
(1 set = 4 boxes, 14 pallet A, 2 pallet B, total 16 pallets, 66 sets/ 40HQ, gross weight: 19868Kg)



BOX1	BOX1	BOX1	BOX1
BOX2	BOX2	BOX2	BOX2
BOX3	BOX3	BOX3	BOX3
BOX1	BOX1	BOX1	BOX1
BOX2	BOX2	BOX2	BOX2
BOX3	BOX3	BOX3	BOX3

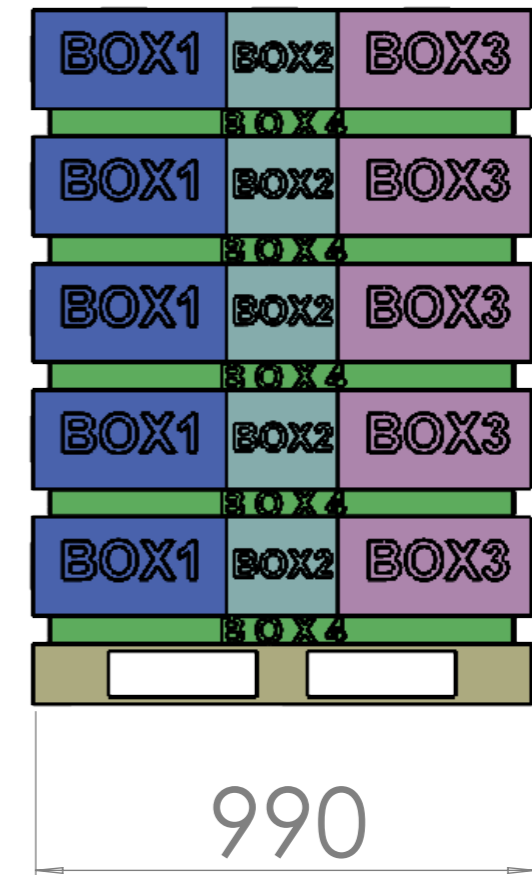
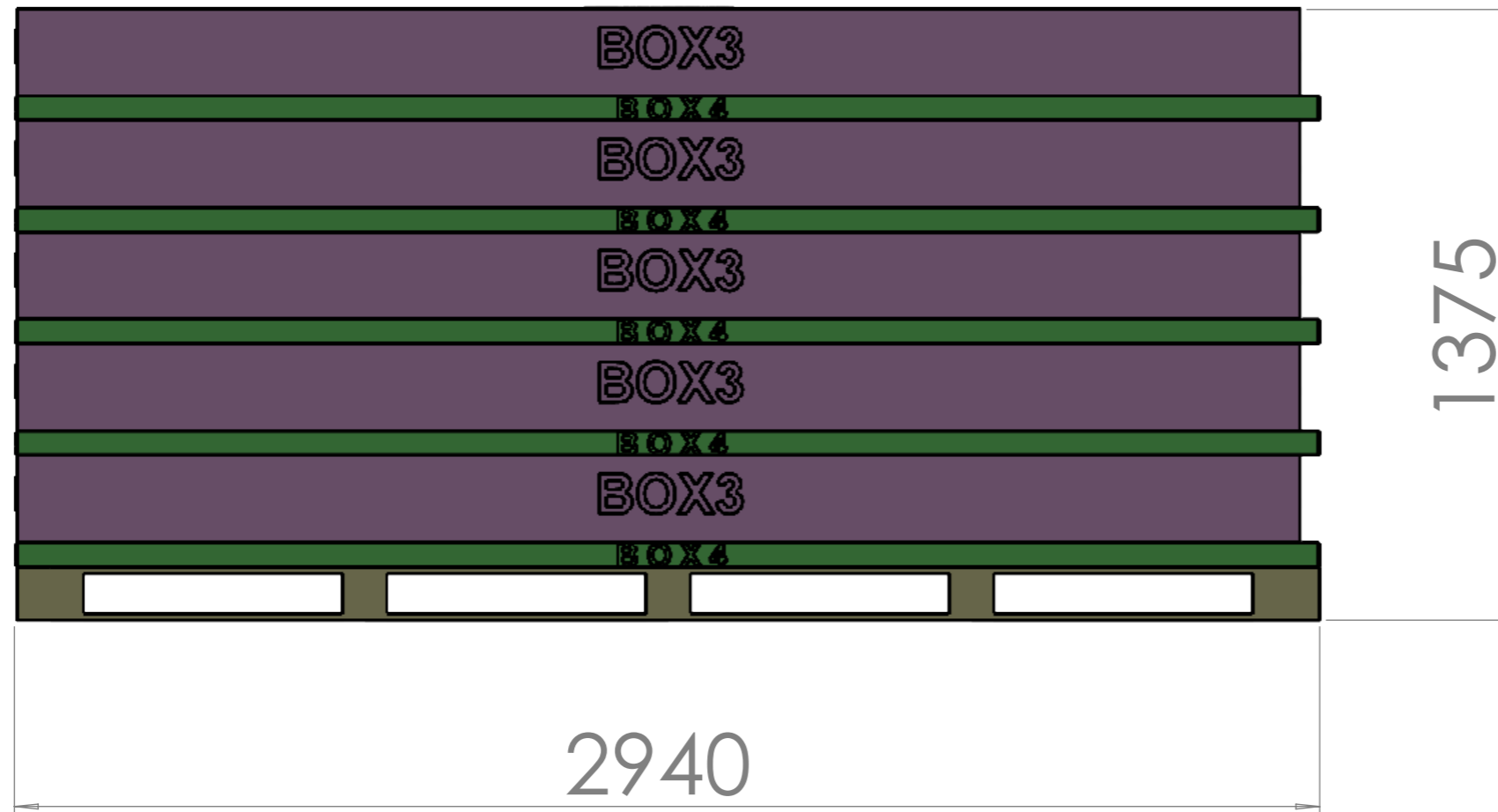
Pallet A

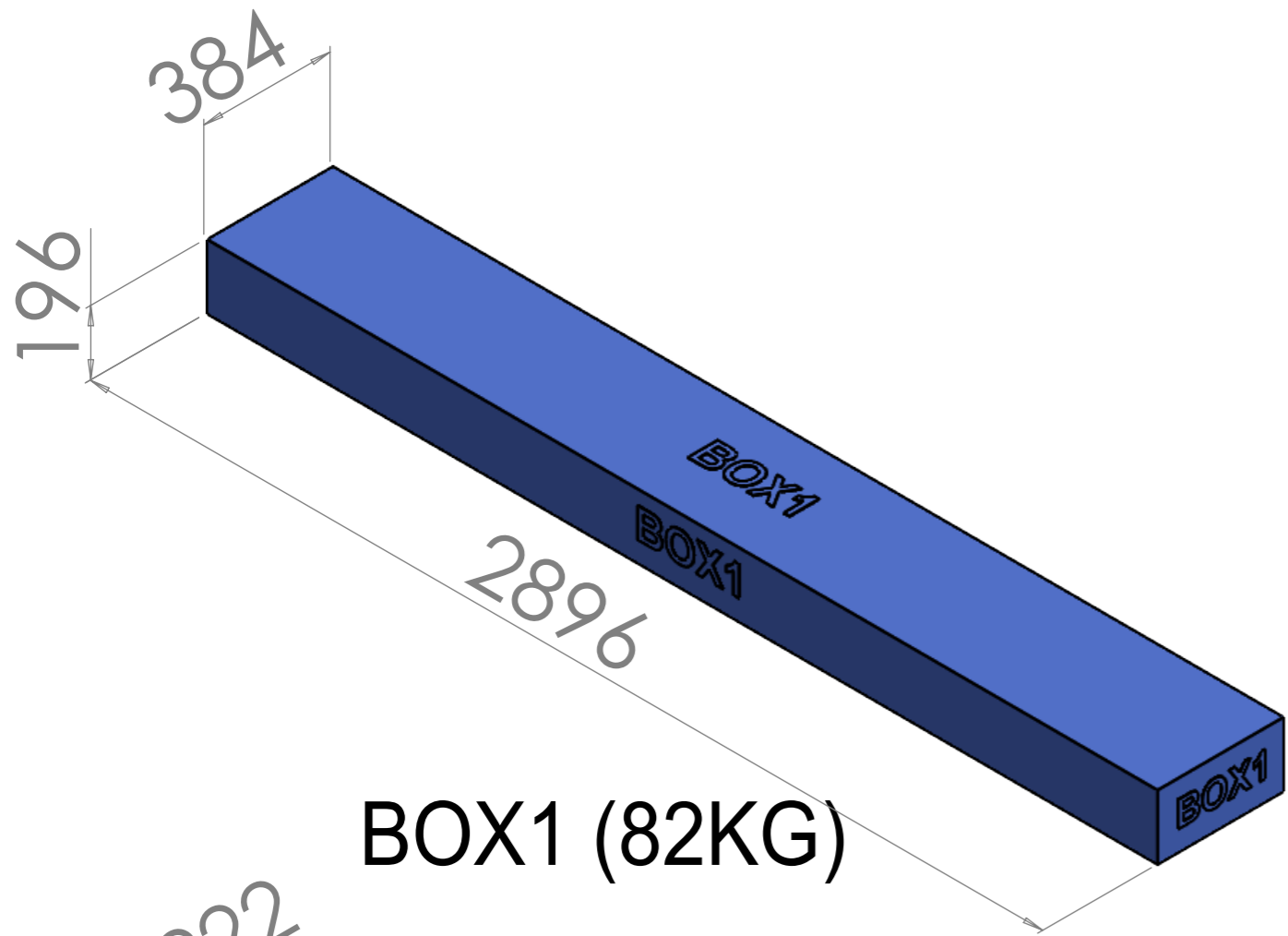
4 sets / pallet



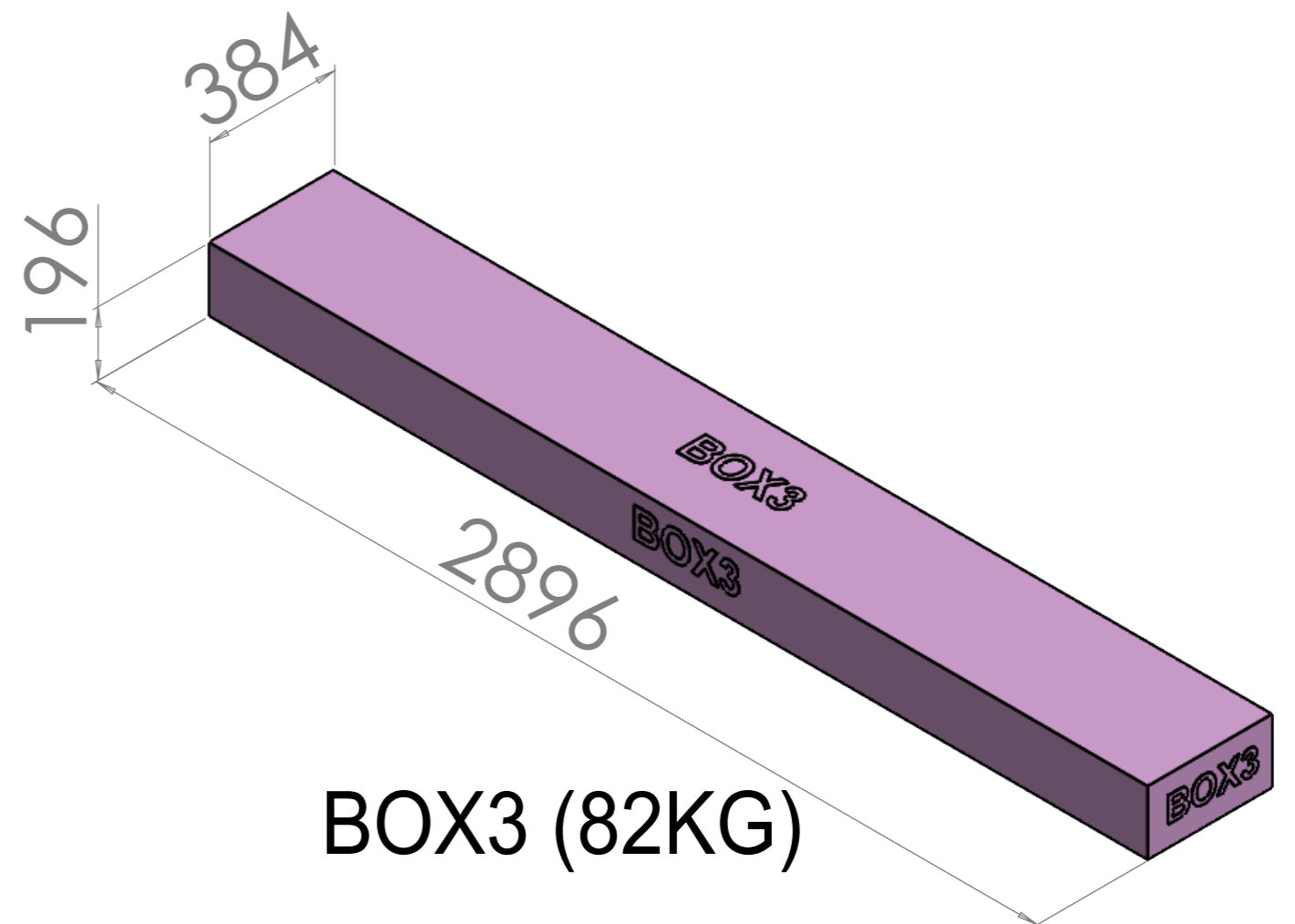
Pallet B

5 sets / pallet

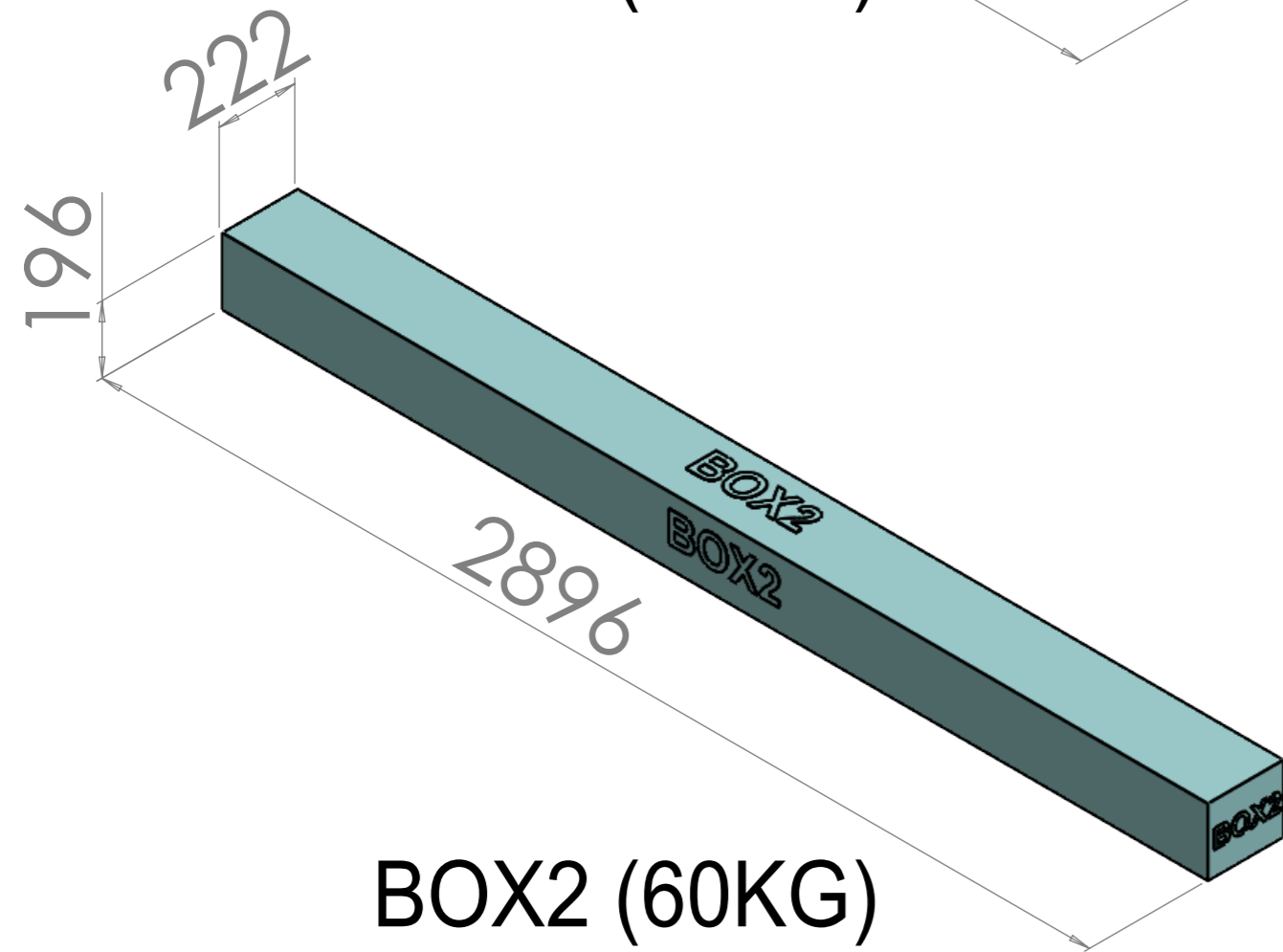




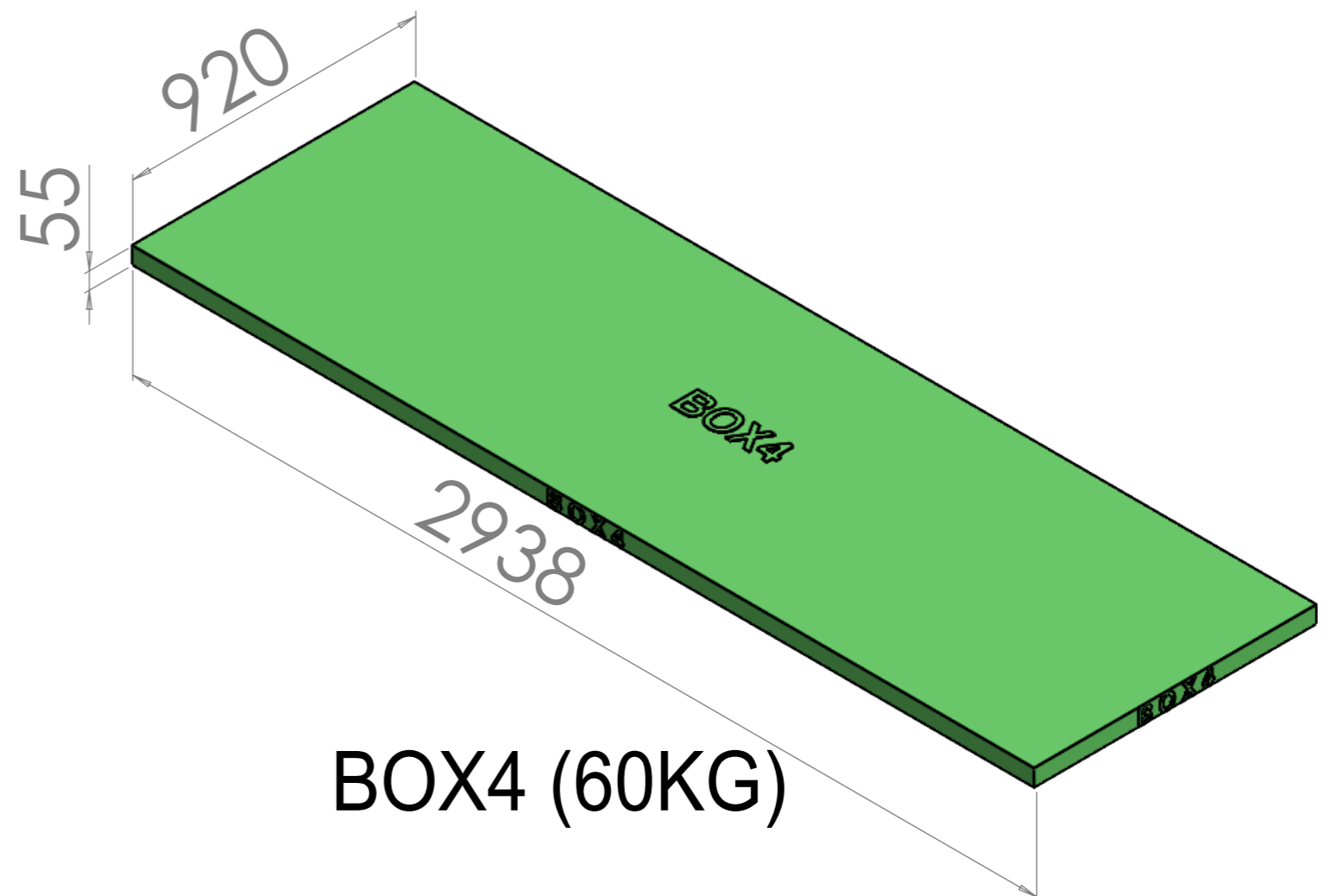
BOX1 (82KG)



BOX3 (82KG)



BOX2 (60KG)



BOX4 (60KG)