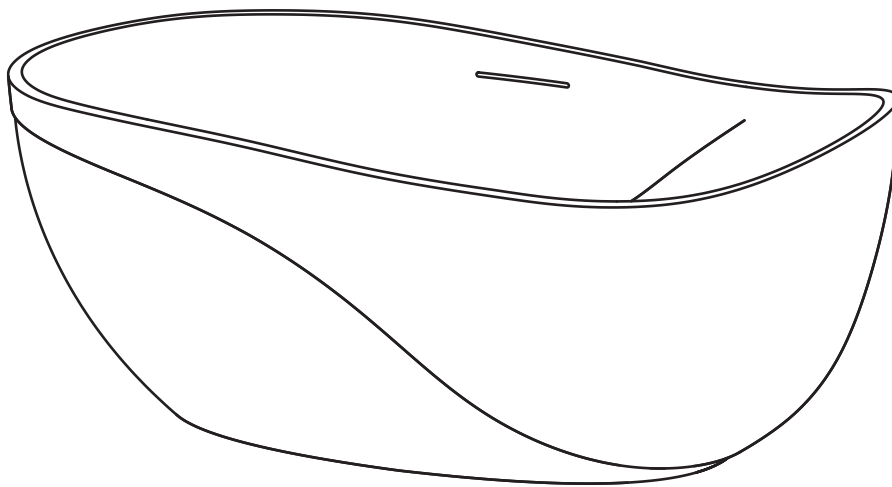


ANZZI®

Item: FT-AZ515*****
FT-AZ516*****

SOAKING FREESTANDING BATHTUB
INSTALLATION & OPERATION MANUAL
V1.0
02/07/2026



**DON'T WAIT!
REGISTER NOW!**

Register your product within 30 days to ensure your bathtub is recognized as an official purchase and is eligible for warranty coverage.

Register online at <https://anzzi.com/pages/register>.



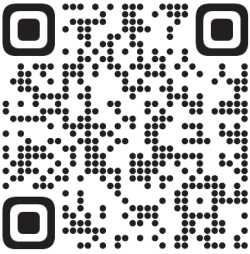
PRODUCT REGISTRATION*

IMPORTANT: Warranty will not be recognized unless product is registered.

Register online at <https://anzzi.com/pages/register> or Scan the QR code below.
Registering online is fast, secure, and ensures we receive your information.

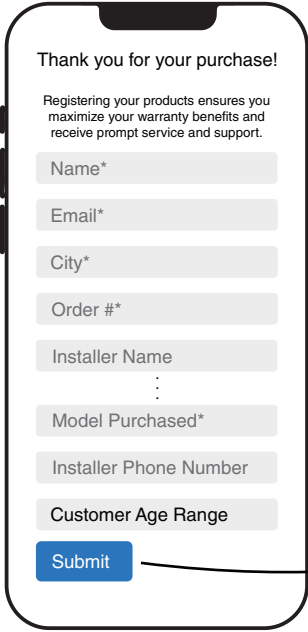
1

USE YOUR PHONE CAMERA
TO SCAN THE QR CODE



2

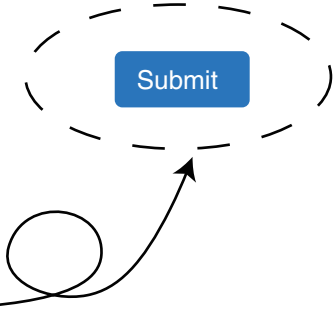
FILL IN A QUICK
REGISTRATION FORM



The registration form on the smartphone screen includes the following fields: Name*, Email*, City*, Order #*, Installer Name, Model Purchased*, Installer Phone Number, and Customer Age Range. A blue Submit button is located at the bottom of the form.

3

CLICK SUBMIT AND
ENJOY PEACE OF MIND



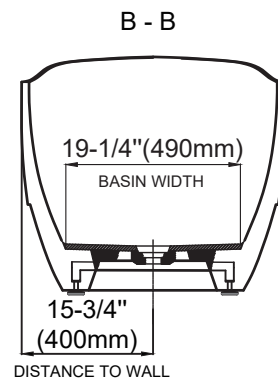
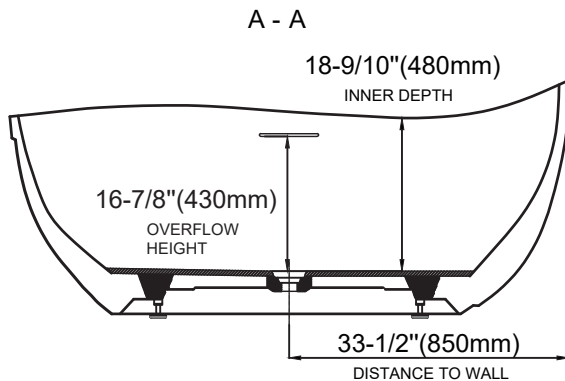
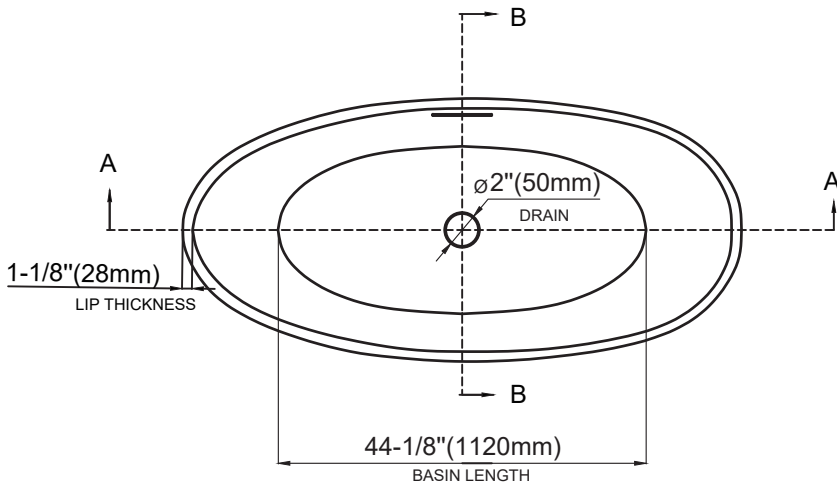
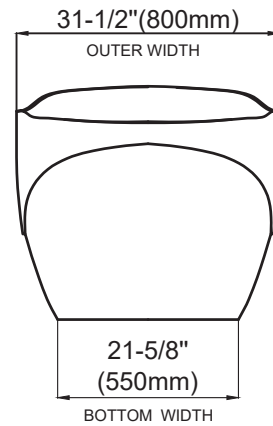
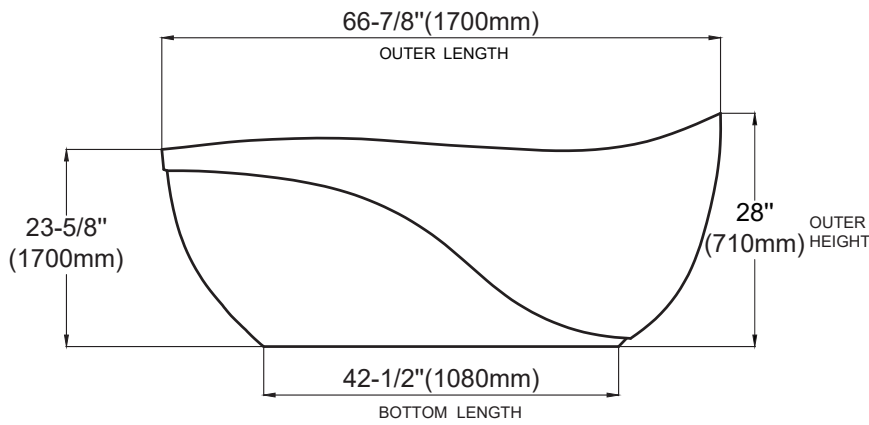
A dashed oval highlights a blue Submit button, with an arrow pointing from the Submit button on the smartphone screen to this callout.



Item: FT-AZ515*****

FT-AZ516*****

FREESTANDING BATHTUB





SAFETY INSTRUCTIONS

READ THESE INSTRUCTIONS COMPLETELY BEFORE INSTALLING THE PRODUCT. FAILURE TO DO SO COULD RESULT IN AN IMPROPER INSTALLATION AND COULD VOID THE WARRANTY.

IMPORTANT SAFETY INSTRUCTIONS. INSTRUCTIONS IMPORTANTES RELATIVES A LA SECURITE.

READ AND FOLLOW ALL INSTRUCTIONS. LIRE ET SUIVRE TOUTES LES INSTRUCTIONS.

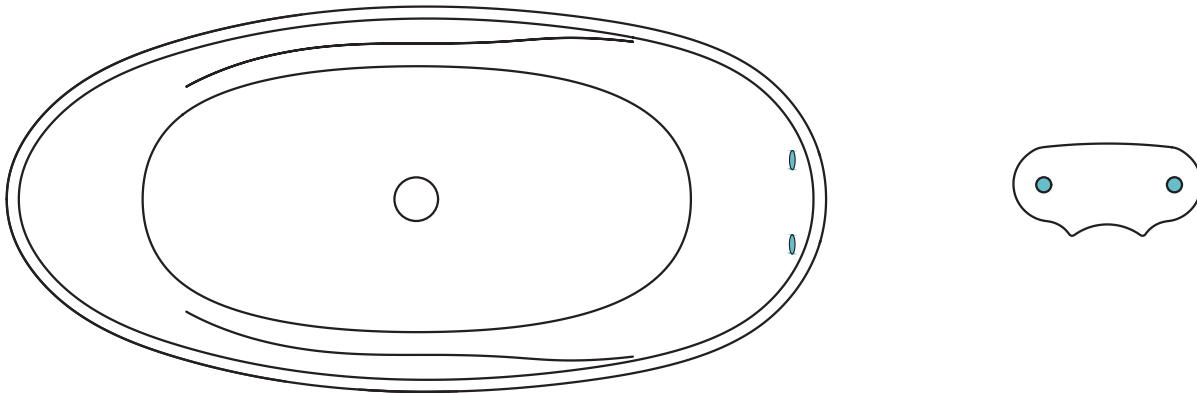
SAVE THESE INSTRUCTIONS. CONSERVER CES INSTRUCTIONS.

WARNING: RISK OF ACCIDENTAL INJURY OR DROWNING: CHILDREN SHOULD NOT USE BATHTUB WITHOUT ADULT SUPERVISION. **AVERTISSEMENT.** RISQUE DE BLESSURE ET DE NOYADE. NE PAS LAISSER UN ENFANT UTILISER LA CUVE A REMOUS EN LABSENCE D'UN ADULTE.

WARNING: TO AVOID INJURY, EXERCISE CARE WHEN ENTERING OR EXITING THE HYDROMASSAGE BATHTUB. **AVERTISSEMENT.** POUR EVITER LES BLESSURES, USER DE PRUDENCE EN ENTRANT DANS LA CUVE A REMOUS ET EN LA QUITTANT.

CAUTION: MAGNETIC BATH PILLOWS MAY HAVE ADVERSE EFFECTS ON CARDIAC PACEMAKER USERS.

● This mark is the magnet position.





SAVE THIS MANUAL!

RESPONSIBILITY OF THE INSTALLER!

THE INSTALLER MUST INSPECT AND WATER TEST THE PRODUCT PRIOR TO INSTALLATION TO ENSURE THE UNIT IS FREE OF DEFECT OR DAMAGE. IN THE EVENT OF A PROBLEM, THE UNIT MUST NOT BE INSTALLED. IF THE CRATE OR THE PRODUCT HAS BEEN DAMAGED DURING SHIPPING, PLEASE CALL US IMMEDIATELY.

THIS PRODUCT MUST BE INSTALLED BY A LICENSED/CERTIFIED CONTRACTOR!

LICENSED PLUMBERS SHOULD BE EMPLOYED TO INSURE PROPER INSTALLATION. INSTALLERS ASSUME ALL LIABILITY FOR THE CORRECT INSTALLATION PROCEDURES. ONLY ACCESSORIES AUTHORIZED BY THE MANUFACTURER SHOULD BE USED WITH THIS PRODUCT.

REPORT DAMAGES RIGHT AWAY! REPORT ANY DAMAGE TO THE BATHTUB WITHIN 5 BUSINESS DAYS. ANY DAMAGE DONE BEYOND THAT WILL BE ASSUMED TO HAVE HAPPENED DURING OR AFTER THE INSTALLATION.

TEST THE TUB BEFORE INSTALLATION! BEFORE PERMANENTLY INSTALLING THE BATHTUB, YOUR INSTALLER MUST TEST THE TUB. USE THE PROVIDED FLEX DRAIN. FILL TUB AND INSPECT FOR ANY LEAKING. ONLY IF THERE ARE NO SIGNS OF LEAKAGE , YOU SHOULD PROCEED TO PERMANENTLY INSTALL THE UNIT.

LEVEL THE TUB AND AVOID LEAKAGE! CHECK THE AREA PRIOR TO INSTALLATION. USE THE TUB'S ADJUSTABLE FEET TO ENSURE THE BATHTUB IS PERFECTLY LEVEL. IT IS ESSENTIAL THAT ALL THE FEET ARE TOUCHING THE FLOOR/SURFACE. AN UNLEVELED TUB WILL RESULT IN LEAKAGE.

** All bathtubs are 100% water tested at the factory and certified to be free of leaks Transportation and mishandling may cause leaks. It is necessary to test the bathtub while there is access to all sides of the bathtub.*

TEST THE BATHTUB WHILE YOU HAVE ACCESS TO THE BOTTOM AND BEFORE PERMANENTLY INSTALLED.

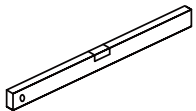
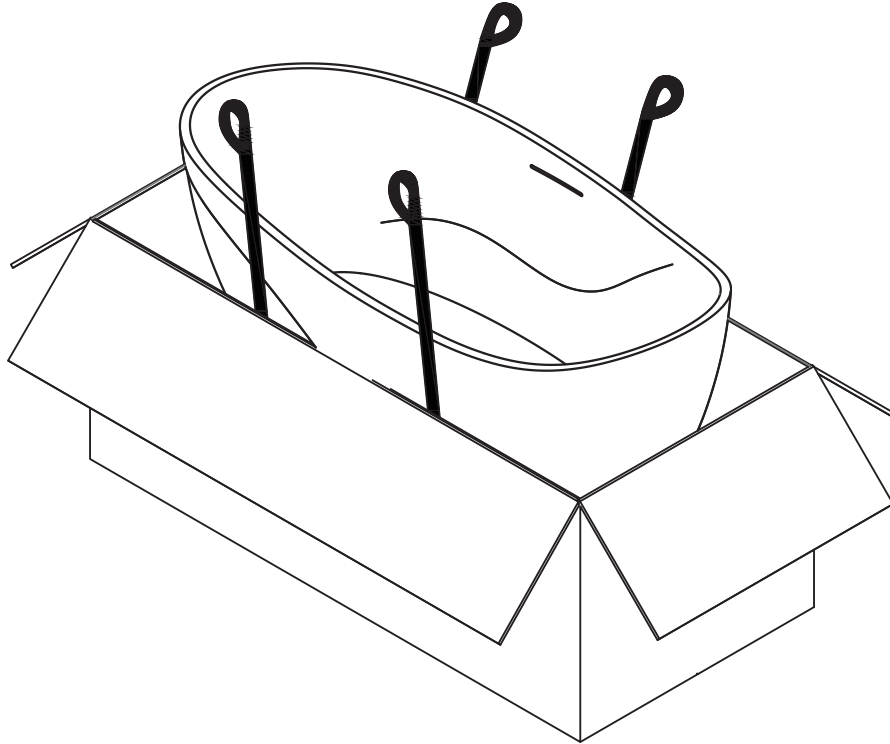
READ AND FOLLOW ALL INSTRUCTIONS

- Place the tub on a completely flat surface in an area where it may be drained after testing.
- Close the drain and fill the tub about half way.
- Allow the water to stand in tub for 30 minutes and then inspect all plumbing and seals for leaks.

ANZZI®

UNPACK THE BATHTUB

REMOVE THE BATHTUB FROM THE BOX AND PREPARE THE FOLLOWING TOOLS.



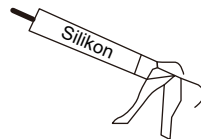
LEVEL
needed



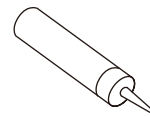
ADJUSTABLE WRENCH
needed



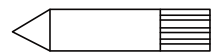
TEFLON TAPE
needed



SICILONE GUN
needed



CAULK
needed

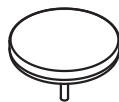


MARKING PENCIL
needed

Accessories



1pc Pillow



1pc Drain cover



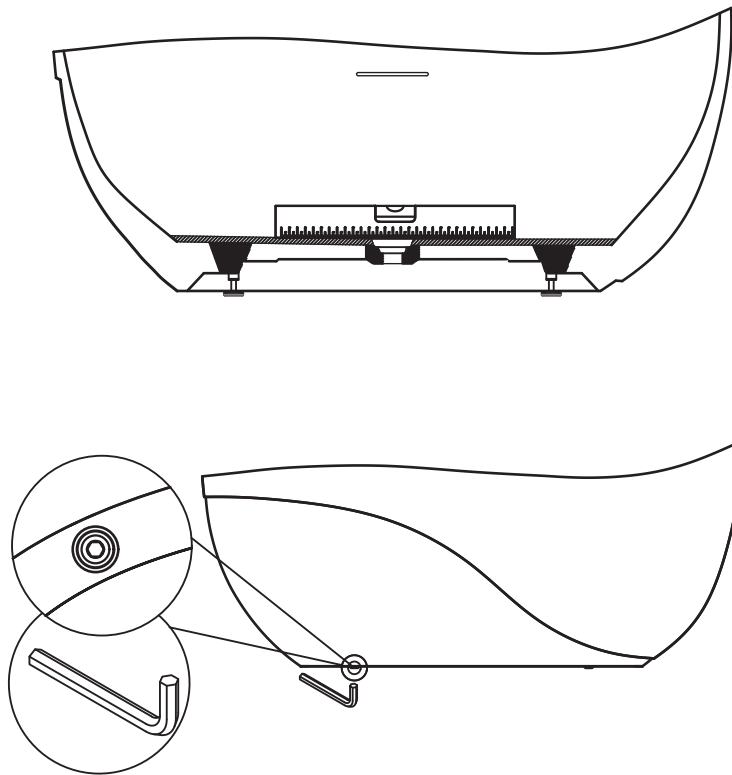
1pc Hexagon Wrench



INSTALLING THE BATHTUB

MOVE THE BATHTUB TO THE SELECTED INSTALLATION POSITION AFTER INSTALLING DRAIN HARDWARES, (MAKE SURE THAT THE FLOOR SURFACE CAN SUPPORT THE LOAD CAPACITY), AND PLACE IT IN THE PROPER (OR DESIRED) ORIENTATION. THEN PLACE A LEVEL ON THE TUB BOTTOM TO ENSURE THE TUB IS LEVEL. IF NOT, LIFT ONE END OF THE BATHTUB, AND LOOSEN THE ADJUSTING NUT ON THE TUB FOOT AS SHOWN IN THE FIGURE AFTER ADJUSTING THE LEVELING FOOT TO A SUITABLE POSITION.

WARNING: MAKE SURE THE TUB IS PERFECTLY LEVEL TO PREVENT LEAKAGE. USE THE ADJUSTABLE LEVELING FEET TO ENSURE A LEVEL TUB. ALL LEVELING FEET MUST MAKE CONTACT WITH THE FLOOR SURFACE. ENSURE THAT THERE IS A GAP BETWEEN THE TUB BASE AND THE FLOOR SO THAT THE WEIGHT OF THE TUB, WATER AND USER ARE FULLY SUPPORTED BY THE FEET AND NOT THE TUB WALL. SUGGESTED THE GAPS SHALL NOT EXCEED 3/16" (5MM).



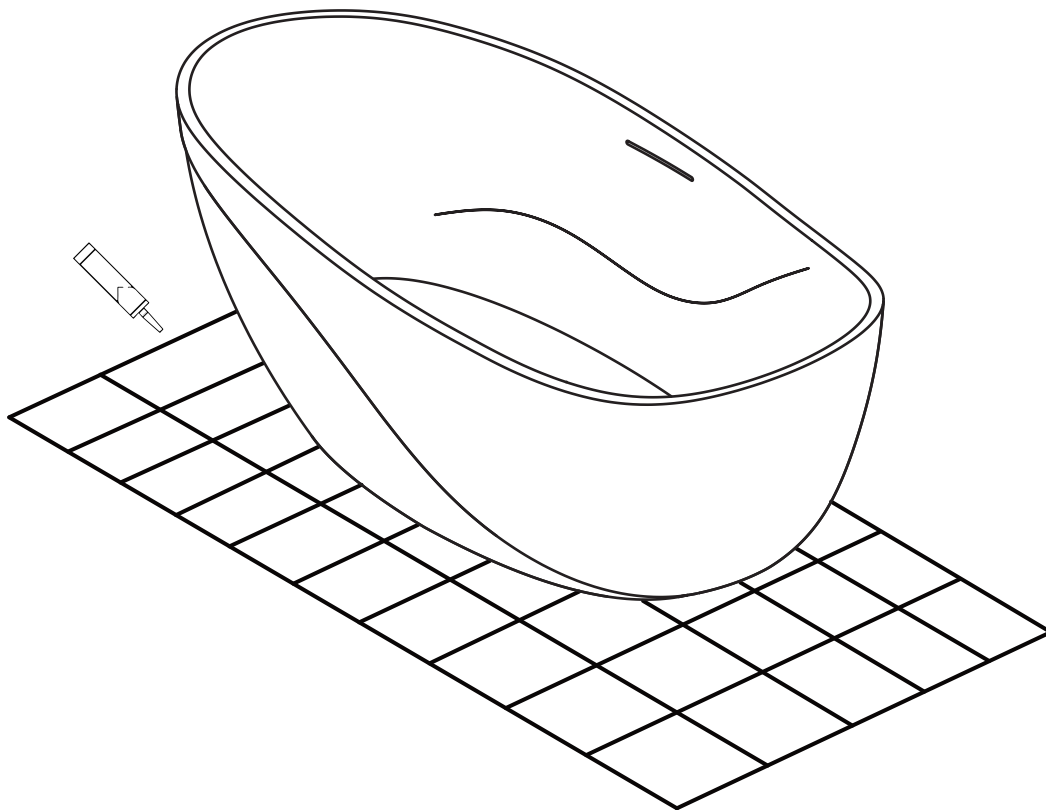
ANZZI®

SEAL TUB

ADD A BEAD OF SILICONE AROUND THE BASE OF THE BATHTUB AND ALLOW 24 HOURS TO PASS BEFORE USE TO ENSURE THE SILICONE HAS SET.

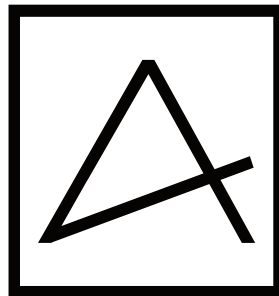
FILL THE BATHTUB

FINALLY FILL THE BATHTUB WITH WATER.



CARE AND CLEANING

- Most dirt will wash off with mild soap period Rinse thoroughly with warm water immediately and wipe dry with soft cloth.
- For tough dirt spots, use liquid dish washing soap or non-chlorine bleach.
- Do not use abrasive material such as steel wool or scouring pads to clean the surface.
- Always test the cleaning solution on a small area before using it on the entire surface.
- Do not allow cleaning solution to soak on the surface.



ANZZI®