

# PTS9200SZSS

## GE Profile™ 30" Smart Built-In Twin Flex Convection Wall Oven

### DIMENSIONS AND INSTALLATION INFORMATION (IN INCHES)

**MOST 30" WALL CABINETS CAN BE USED WITH THIS UNIT.**

**APPROVED INSTALLATIONS:** Above warming drawer, below built-in microwave or Advantium®, side-by-side, and undercounter

**NOTE:** These ovens are not approved for stacking one single wall oven over another single wall oven. Cabinets installed adjacent to wall ovens must have an adhesion spec of at least a 194°F temperature rating.

Door handle protrudes 3" from door face. Cabinets and drawers on adjacent 45° and 90° walls should be placed to avoid interference with the handle.

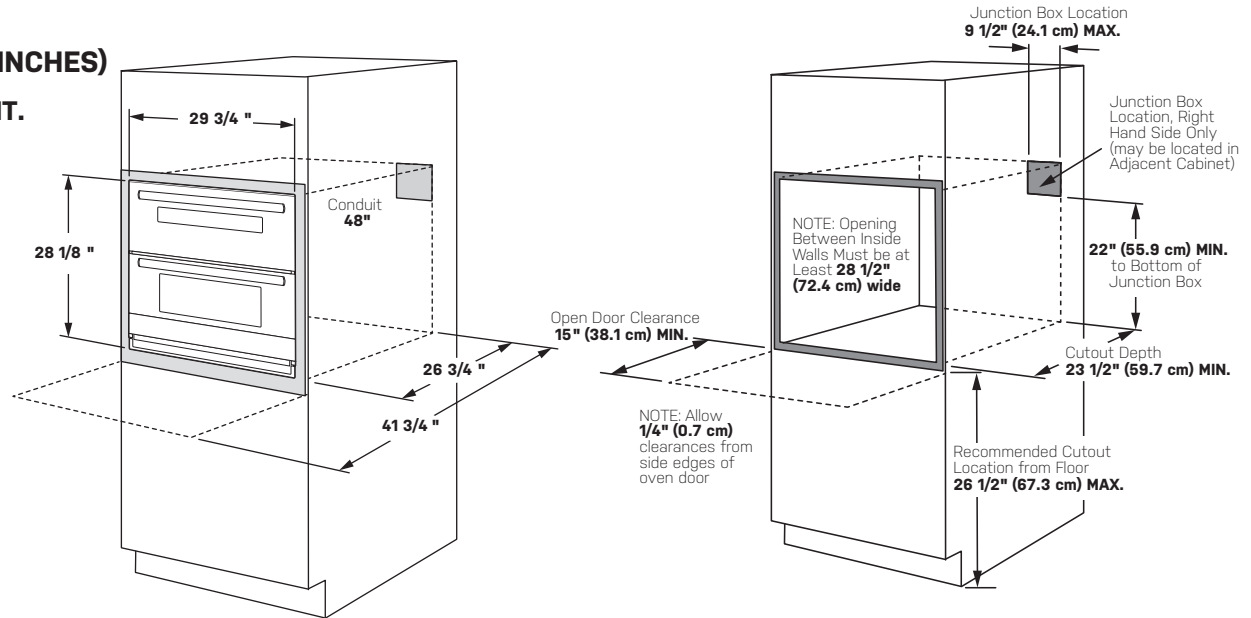
Side-by-side installations require two ovens in separate cutouts and at least 2" between cutouts.

Approved cooktops for installation above this wall oven: CHP9536, PHP9036, CHP9530, PHP9030, JP3536, JP3036, JP3530, JP3030

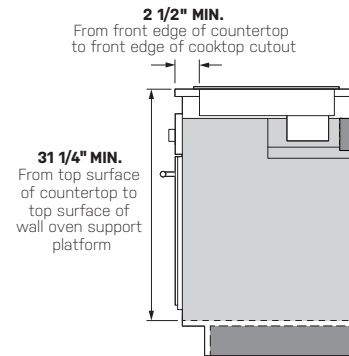
**IMPORTANT:** Electric wall ovens are not approved for installation with a plug and receptacle. They must be hard wired in accordance with installation instructions.

**IMPORTANT:** Before installing, consult installation instructions packed with product for current dimensional data.

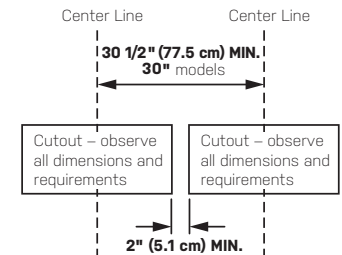
**NOTE:** If the cabinet in which the wall oven is installed does not have a solid bottom, two braces or runners must be installed to support the weight of the oven. The runners and braces must support up to 400 lbs (181 kg).



### INSTALLATION BELOW A COOKTOP



KW RATING	
240V	4.2
208V	3.2
BREAKER SIZE	
240V	20 Amps
208V	20 Amps



For answers to your Monogram, Café™, GE Profile™ or GE Appliances product questions, visit our website at [geappliances.com](http://geappliances.com) or call GE Answer Center® Service, 800.626.2000.



Specification Revised 6/26 TW3320

# PTS9200SZSS

## GE Profile™ 30" Smart Built-In Twin Flex Convection Wall Oven

### FEATURES AND BENEFITS

**Two-In-One Oven** – Cook two things in the oven at once, at two different temperatures, so that your entire meal will be done on time

**True European Convection with Direct Air** – Faster, more even results for roasts, chicken, turkey and other special-occasion favorites, with the only cooking system that delivers true top-down convection

**No Preheat Air Fry** – Cook healthier, crispier versions of your favorite foods in less time, thanks to an air fryer right in your oven that doesn't require preheating (optional air fry tray sold separately)

**Precision Cooking Modes** – Achieve perfect results with an extensive selection of precision cooking modes—including artisan pizza, salmon, roasted vegetables, and bacon—powered by algorithms that track the food's progress and dynamically adjusts time and temperature by precisely managing heat and airflow

**Fast Preheat** – Preheat the oven quickly and cut down on preheat time with a speedy preheat feature

**Large Capacity Oven** – Cook an entire meal at once with a 5.0 cubic foot (2.2 upper, 2.8 lower) oven which provides enough room for multiple dishes

**7" Customizable Touch Screen Display** – A bright, interactive touch screen is easy to use and features unlimited timers, weather updates, recipe apps, and saved favorite recipes to streamline your cooking experience

**Cooking Assistant** – Step into the future of cooking with a platform designed for ultimate convenience. Our advanced digital cooking tools provide direct access to our Cooking Partners' apps, simplifying everything from recipe discovery to shopping and execution with expert cooking tips. It's life, uncomplicated

**Built-In WIFI, Powered by SmarthQ™ App** – Connect, control and manage your oven from anywhere with your smartphone or tablet (Select features require WIFI connection)

**Self-Clean Oven with Optional Steam Clean** – Let your oven do the cleaning for you with two ways to eliminate baked-on messes

**Smart Oven Shortcuts** – Upgrade your cooking with this smart oven shortcut feature, saving your most frequently used cooking modes for instant access. Seamlessly blend innovation and efficiency so you can focus on what truly matters — creating, entertaining, and enjoying

**Fit Guarantee** – Ensures your new appliance will fit your existing cutout, or GE Appliances will help cover the modification costs

**Model PTS9200SZSS** – Stainless Steel

