



**Dearborn®
Brass**

4675 W. 160th St.
Cleveland, Ohio 44135
Ph: (800) 321-9532
Fax: (800) 321-9535
www.dearbornbrass.com

SUBMITTAL SPECIFICATION

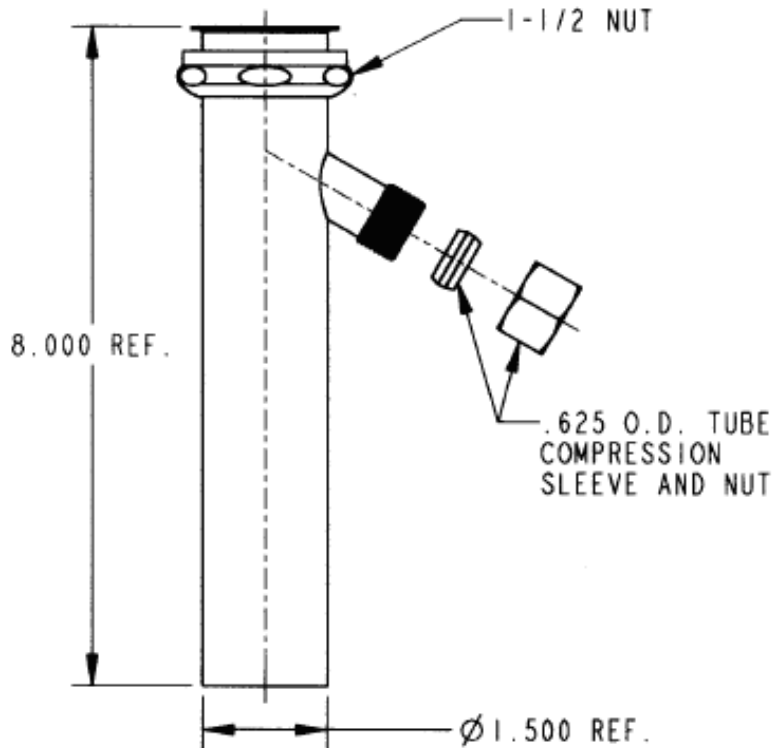
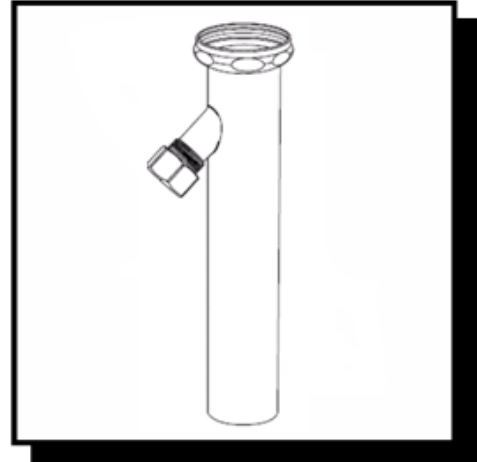
**BRASS TUBULAR
1-½" TRAP PRIMER TAILPIECE**

Engineering Specification: Dearborn Brass 1-½" Brass Tubular Trap Primer Tailpiece allows connection from tailpiece to supply route for water to travel to drain trap.

Job Reference

DESCRIPTION

- Chrome Finish
- 17 Gauge Brass
- Brass Slip Nut
- cUPC Listed



✓	Product No.	Description	Carton Quantity	Carton Weight (lbs)
	832-1	1-½" Trap Primer Tailpiece	10	9

Data is subject to manufacturing tolerances.