

# Kräus<sup>®</sup>

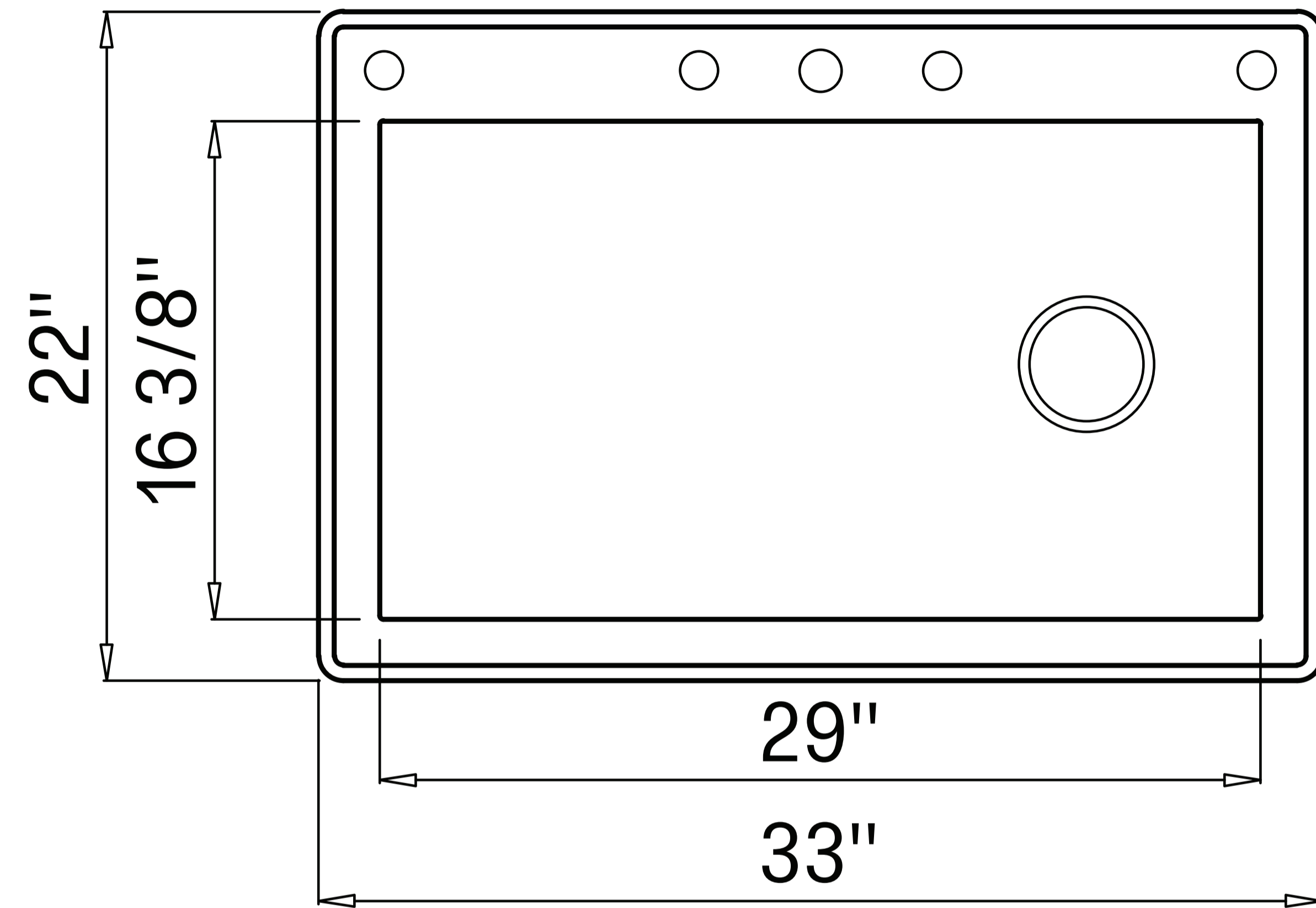
www.kraususa.com

**Model No.**

**KGU-55 (Undermount)**

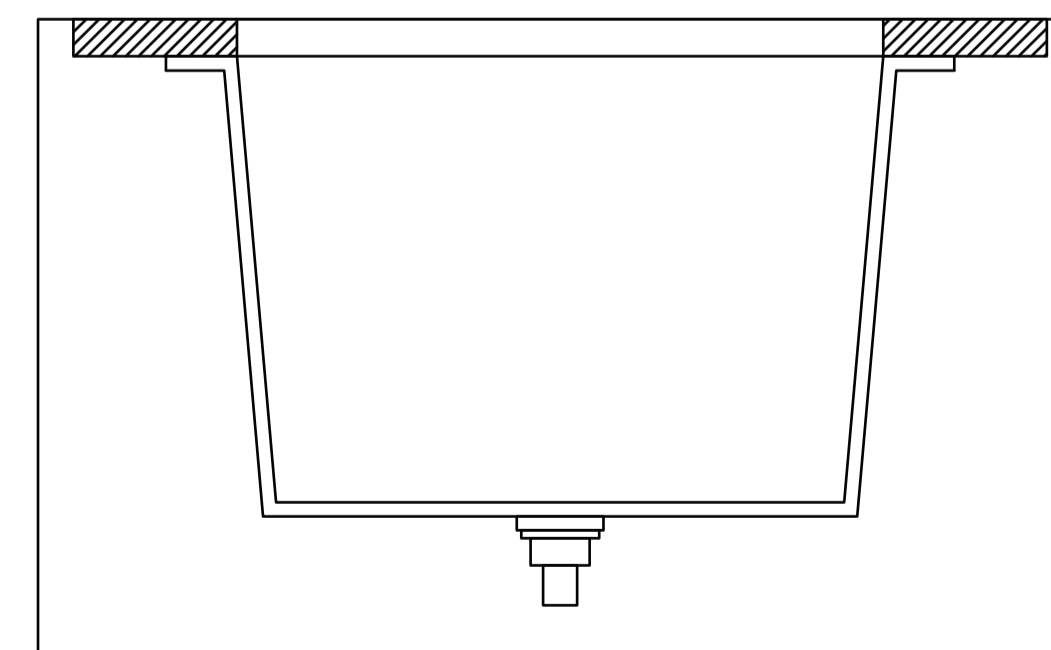
Pro Hotline: 516.801.8955

Customer Service: 800.775.0703

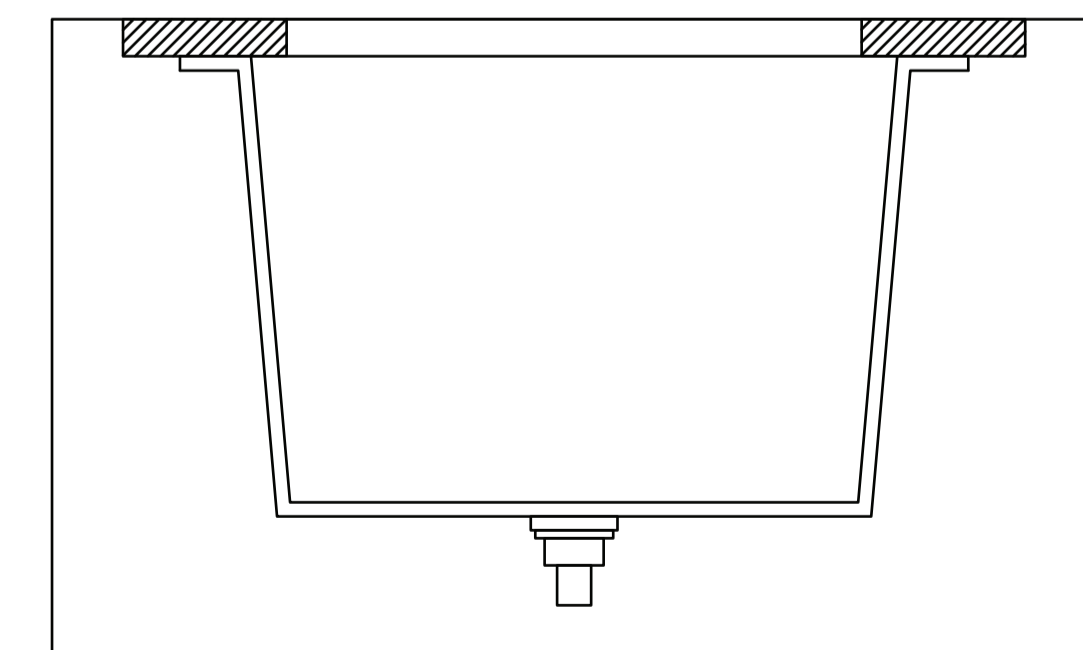


**NOTE:** Cutout template is provided as a guide **ONLY** and must be checked against actual sink to verify correct fit.

SPECIFICATION A: ZERO / FLUSH REVEAL



SPECIFICATION B: 1/8" NEGATIVE REVEAL



← Please cut along inner solid line for negative reveal 1/8"

← Please tear perforated edge for zero / flushed reveal