

# I PORT CONNECT

## MULTIDOCK 6 AND MULTIDOCK 6 SYNC



72308 - CONNECT Multidock 6

72309 - CONNECT Multidock 6 SYNC

# I PORT CONNECT

## MULTIDOCK 6 AND MULTIDOCK 6 SYNC

### I PORT CONNECT Pro MultiDock Install Manual

Thank you for purchasing the IPORT CONNECT Platform. We hope you enjoy this revolutionary new system and if at any time you need assistance, please contact IPORT Tech Support via Online chat or through our online help desk.

- IPORT Team

#### Whats in box:

- 1 - IPORT CONNECT Multidock
- 1 - 160W EDAC Power Supply - 19V DC, 8.4A.
- 8 - Mounting Screws 4ea Wood 4ea M4
- 1 - Info Card

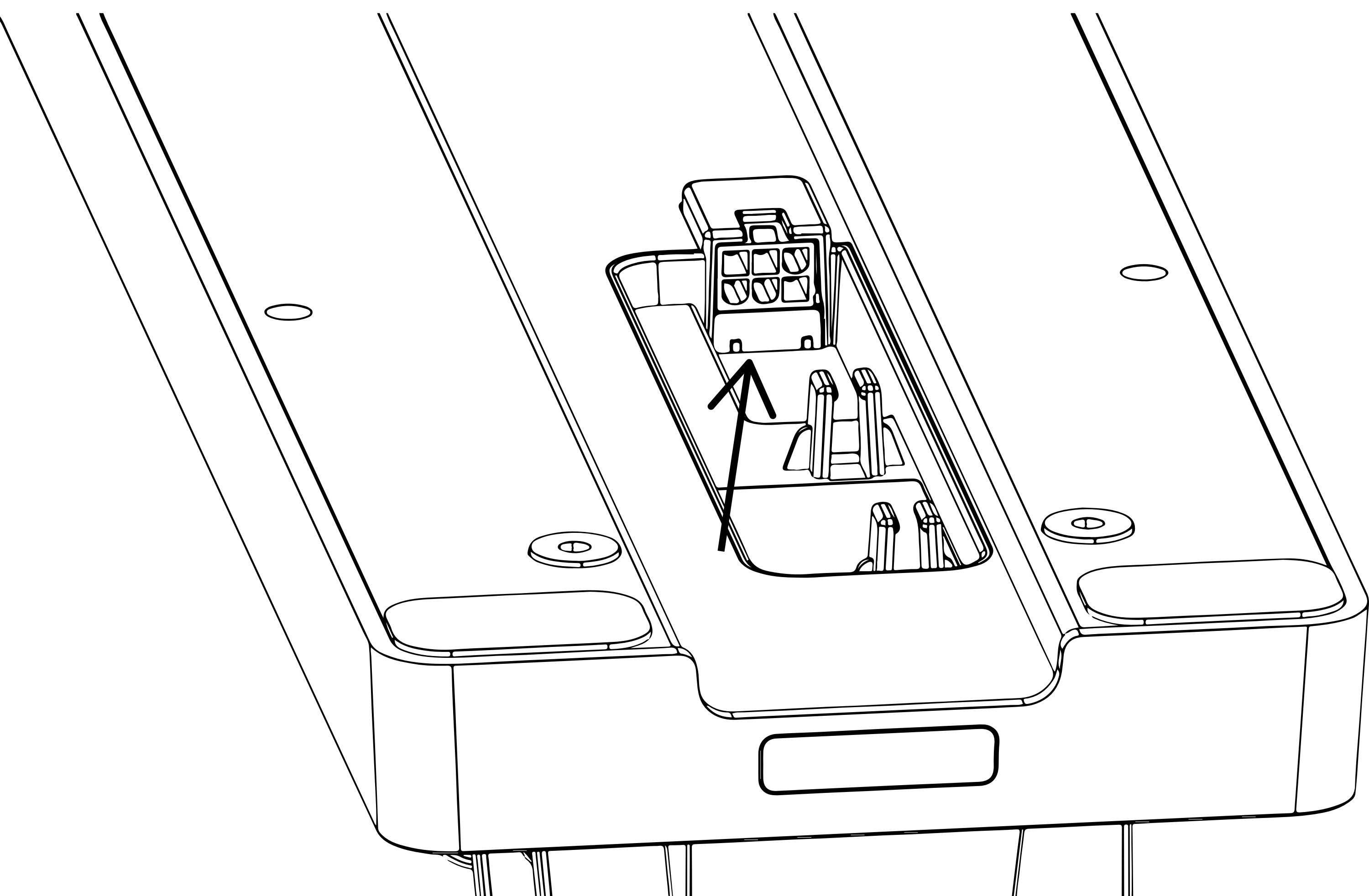
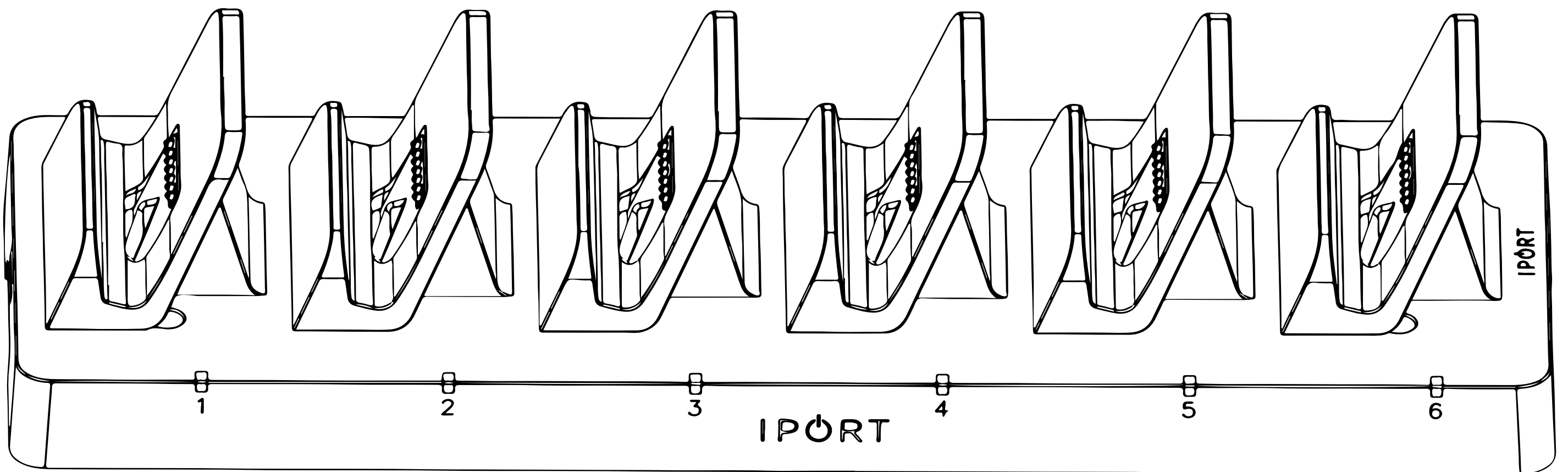
#### Glossary of Terms:

- **MultiDock** - The main mounting station consisting of 6 Charging Docks for IPORT CONNECT iPad or iPhone Cases.
- **Charging Cradle** - The removable back portion of each Charging Dock interchangeable for different sized iPhone or iPad devices.
- **Charging LED** - The LED indicating the current charge status of the iPhone or iPad: red for charging, green for fully charged.

# I PORT CONNECT

## MULTIDOCK 6 AND MULTIDOCK 6 SYNC

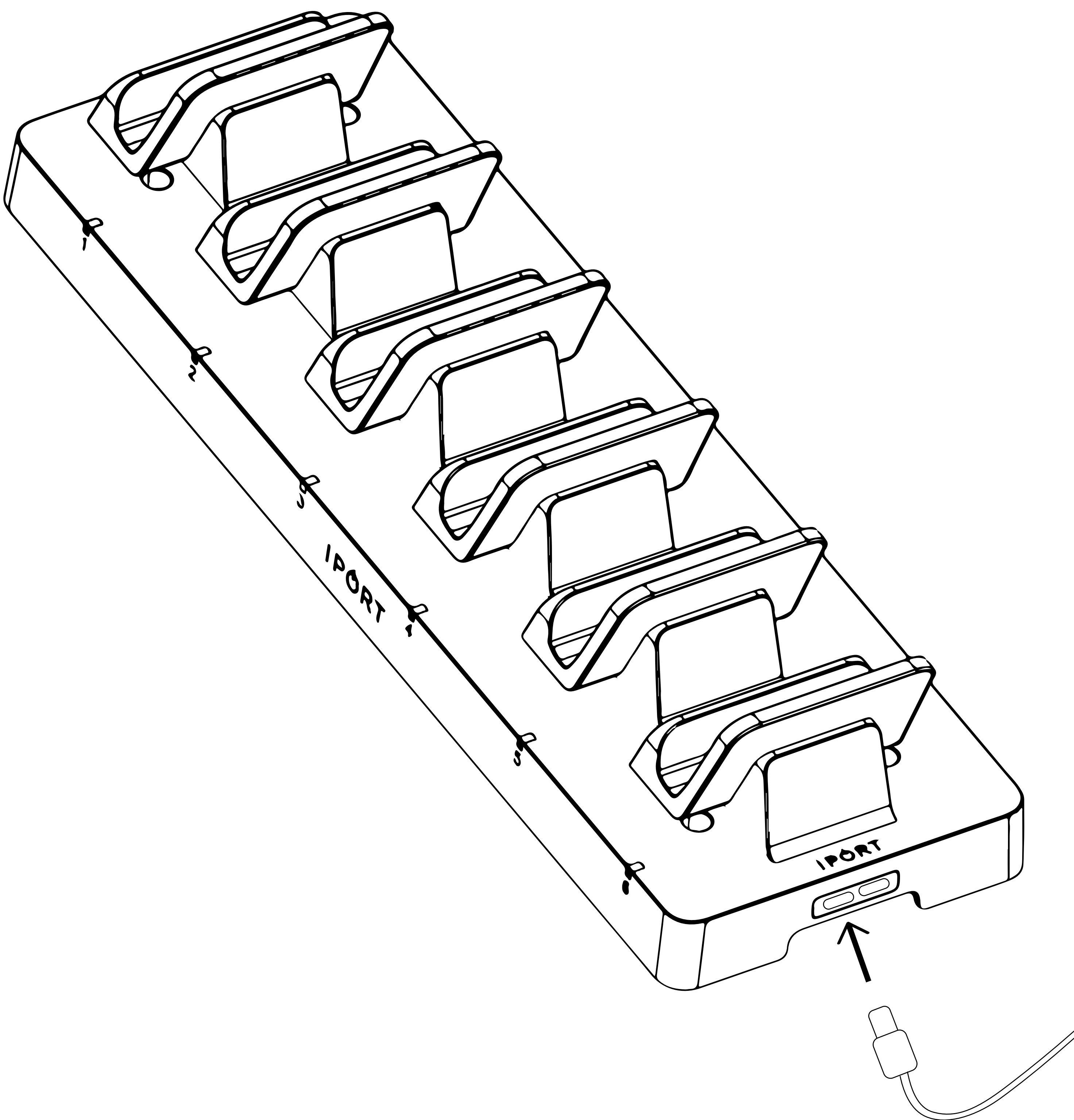
- 1. Remove the Multidock and Power Supply from the box and place on a table.**
- 2. Insert the DC Power plug into the bottom of the MultiDock and press the cable into the cable retention holders.**



# I PORT CONNECT

## MULTIDOCK 6 AND MULTIDOCK 6 SYNC

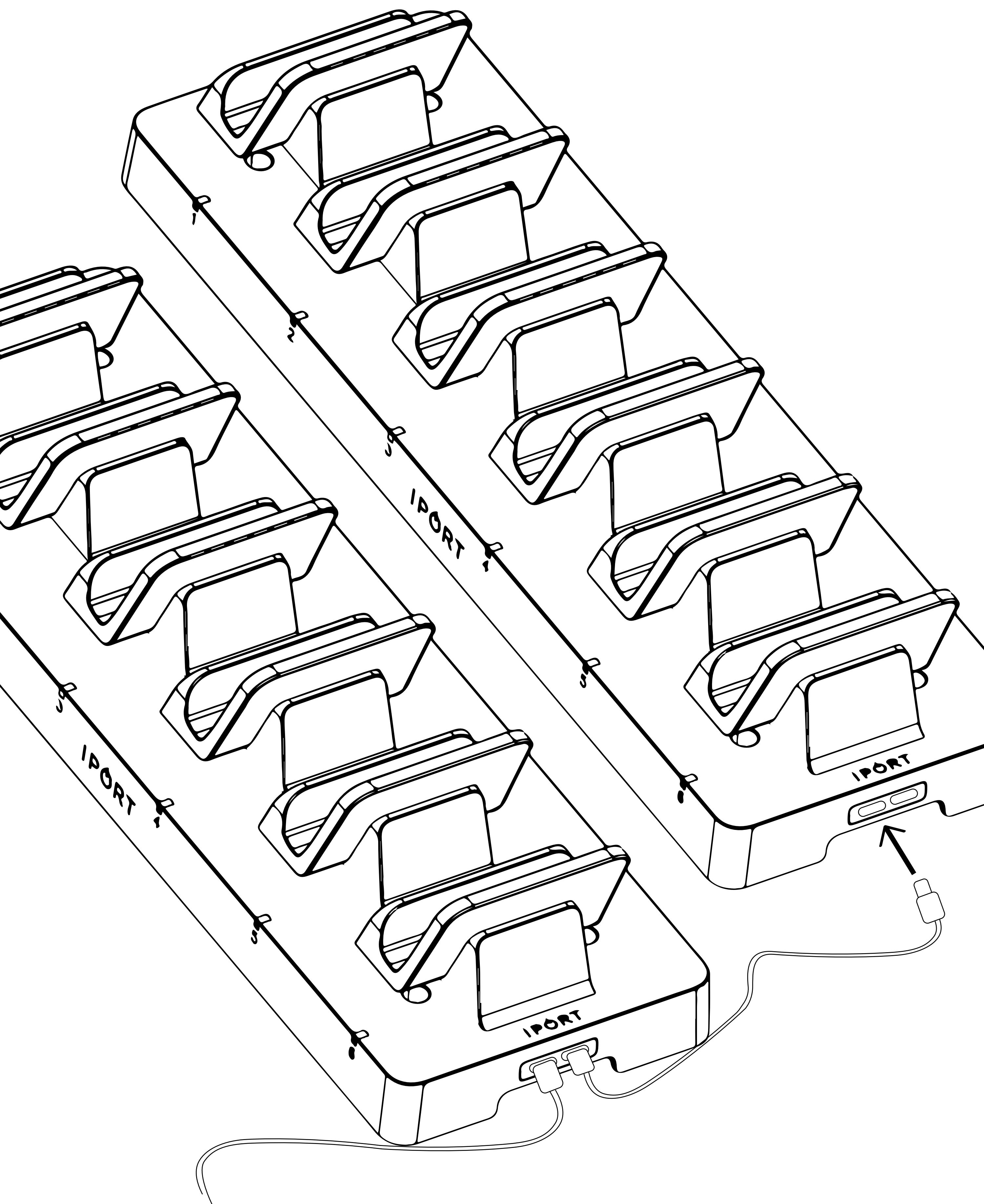
- 3. Optional for 72300 - MultiDock SYNC 6:** To enable syncing, connect one end of a USB-C cable to the USB-C port on the MultiDock and the other end to a computer. This allows syncing of the iPads.



# I PORT CONNECT

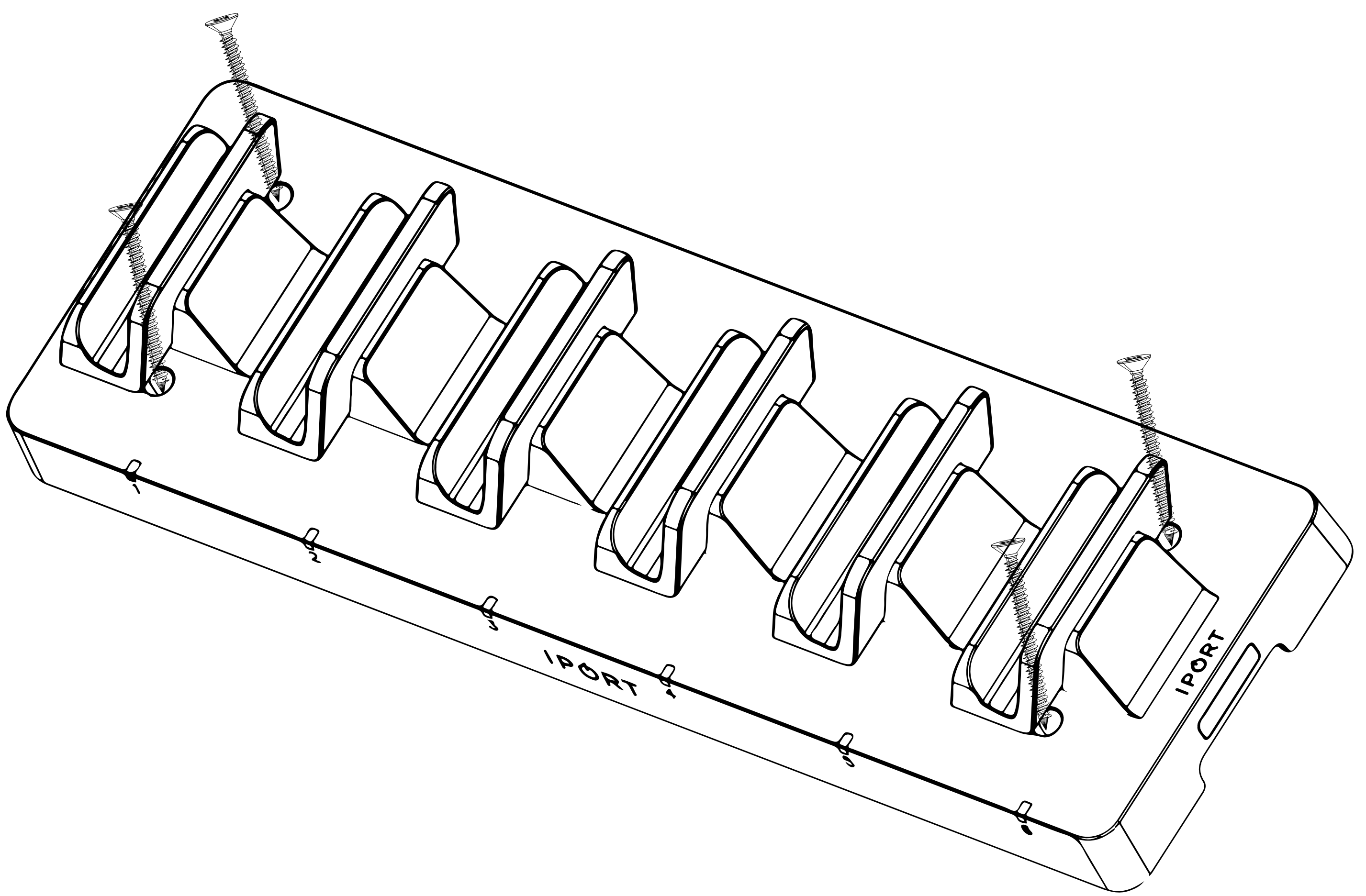
## MULTIDOCK 6 AND MULTIDOCK 6 SYNC

- 4. Additionally use the second USB-C Port to plug in a second 72309 to link the two together. You can link up to 3 additional MultiDocks.**



## MULTIDOCK 6 AND MULTIDOCK 6 SYNC

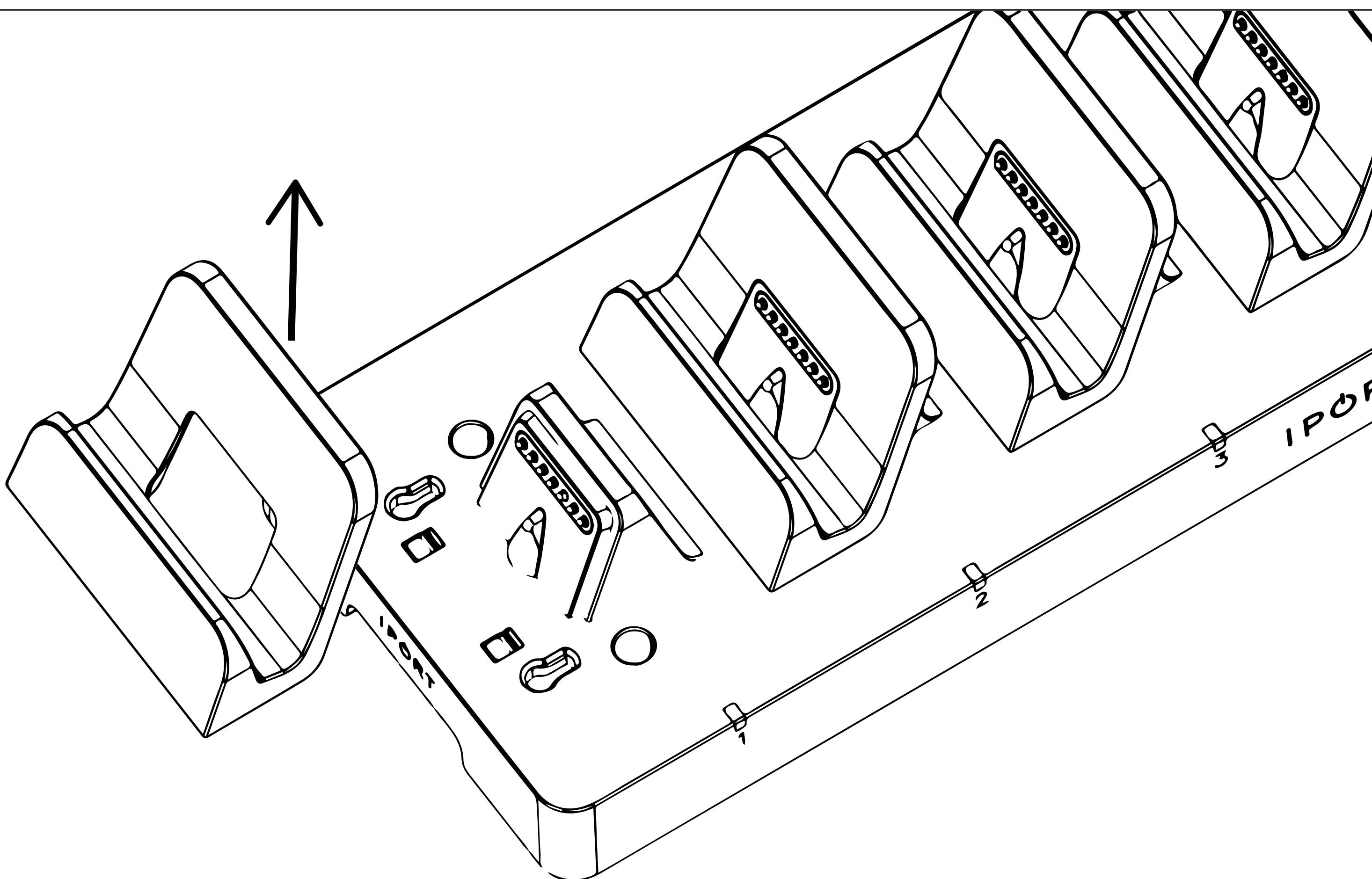
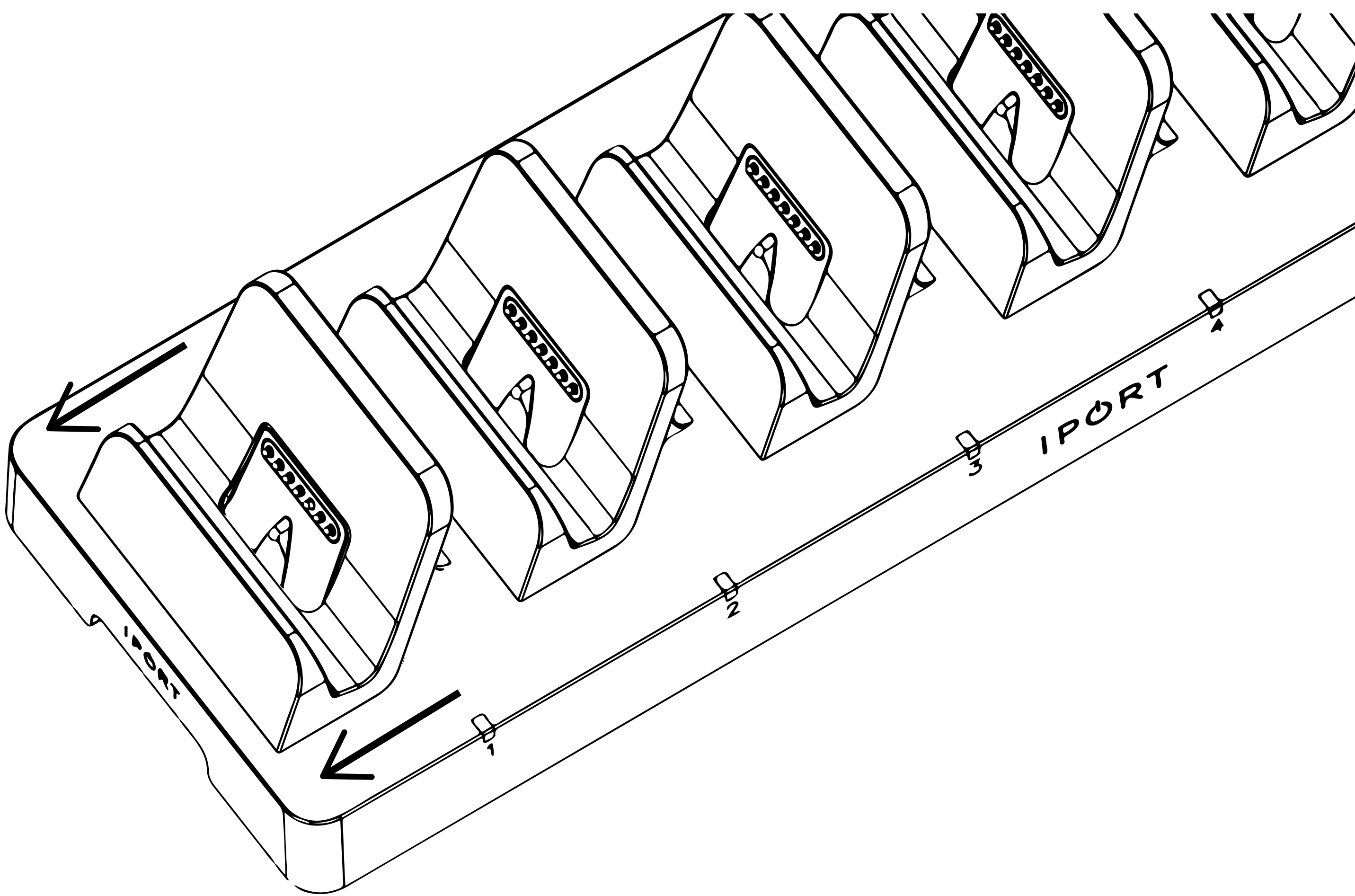
- 5. Optional - to securely mount Multidock to a desk or table, remove the first and last charging cradles (see step 6), insert the provided screws through the four openings on the MultiDock and hand tighten with a screwdriver. Reinstall the charging cradles.**



# I PORT CONNECT

## MULTIDOCK 6 AND MULTIDOCK 6 SYNC

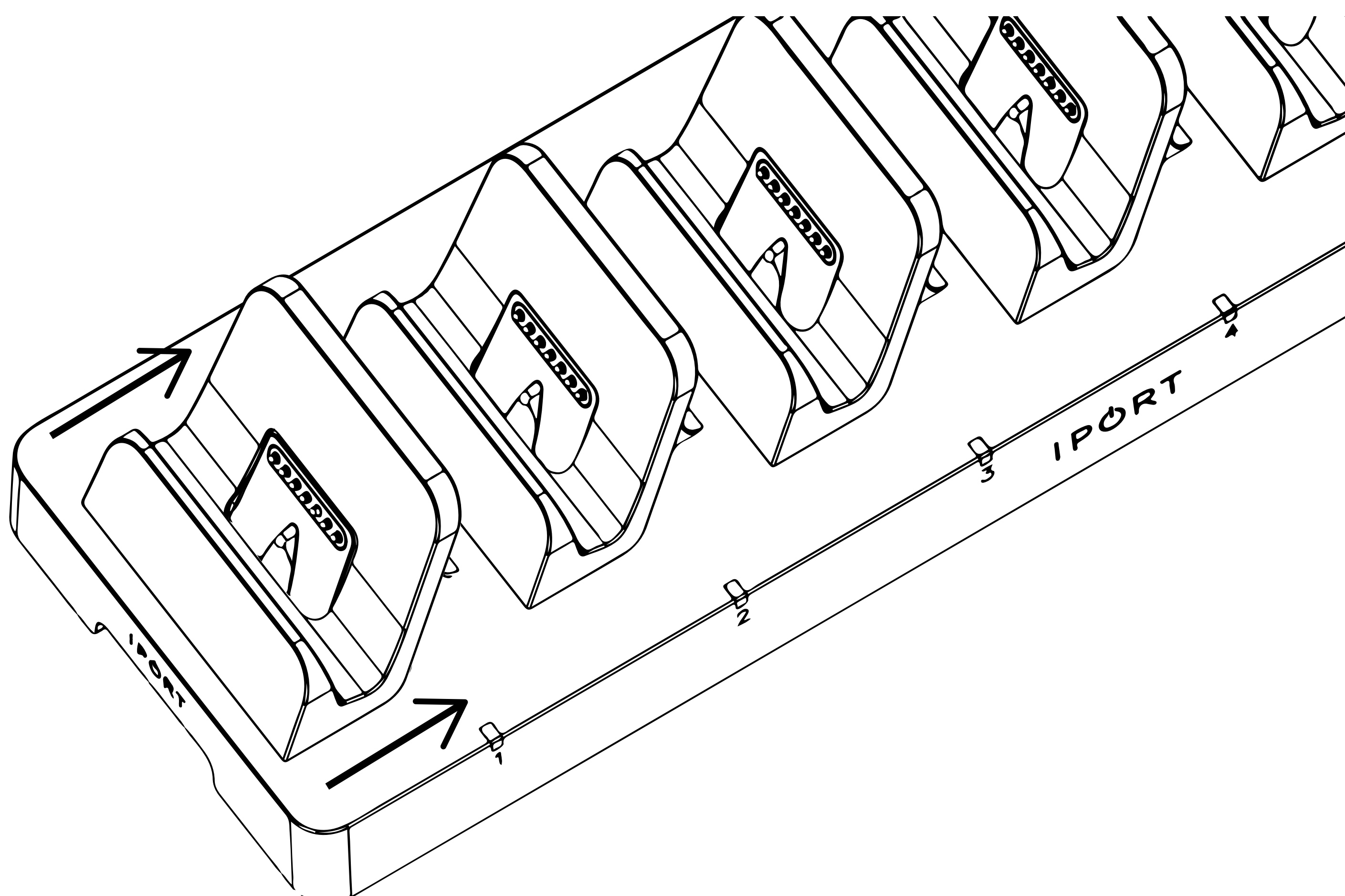
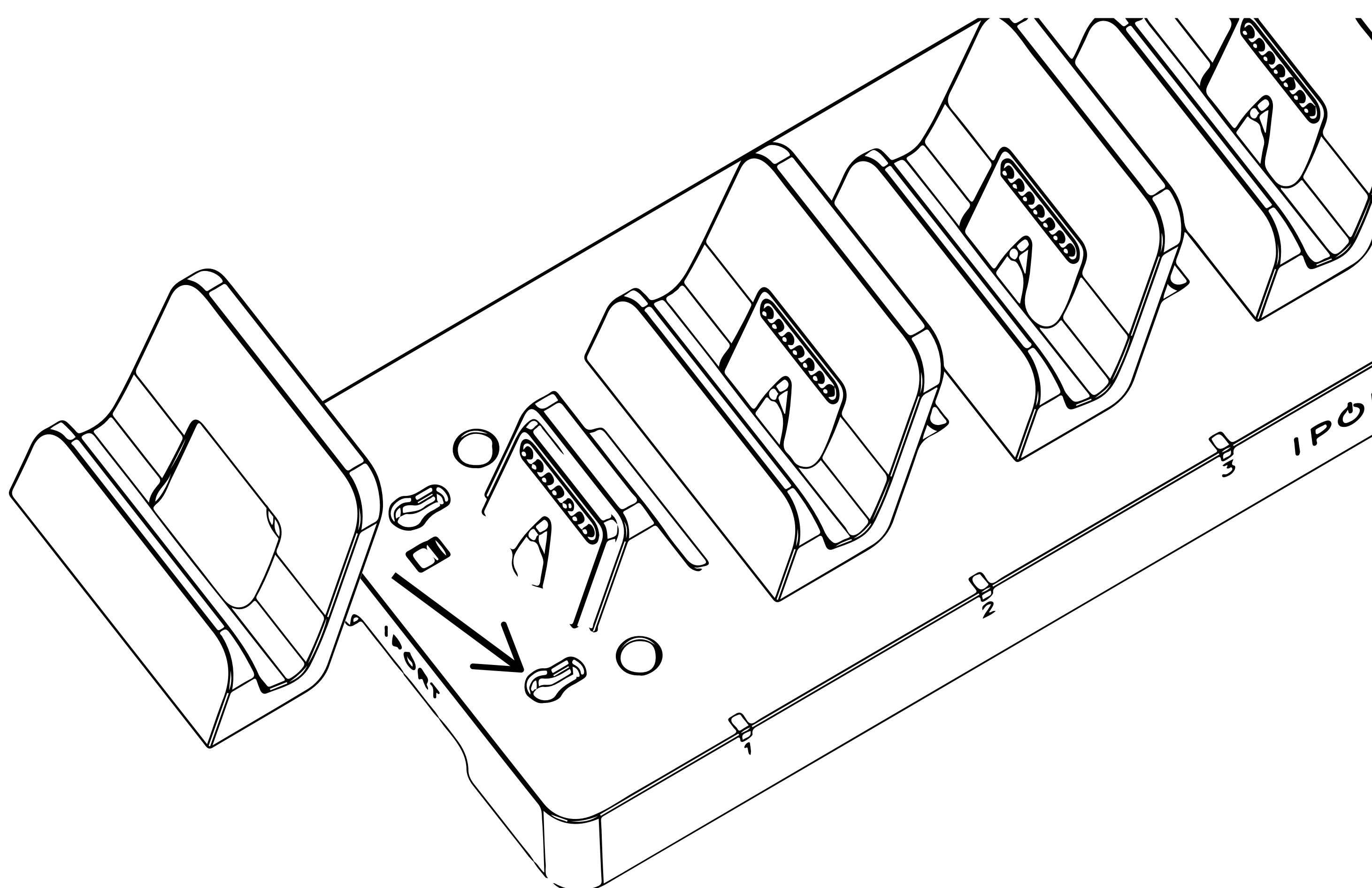
- 6. To remove or change the charging cradle, slide the cradle towards the front of the Multidock then pull up.**



# I PORT CONNECT

## MULTIDOCK 6 AND MULTIDOCK 6 SYNC

- 7. To reinstall the charging cradle, place the cradle into the two holes in front of the dock and slide backward until the cradle snaps into place.**





# I PORT CONNECT

## MULTIDOCK 6 AND MULTIDOCK 6 SYNC

- 8. Place the iPad facing forward into one of the 6 charging cradles. Make sure the cradle's alignment tab engages with the recess on the case to ensure proper alignment. The LED will turn on when the case is properly docked.**

**Note: The LED's may take a few seconds to identify the correct charging status of the iPad. When the iPad is fully charged, the LED will change from red to green.**

