

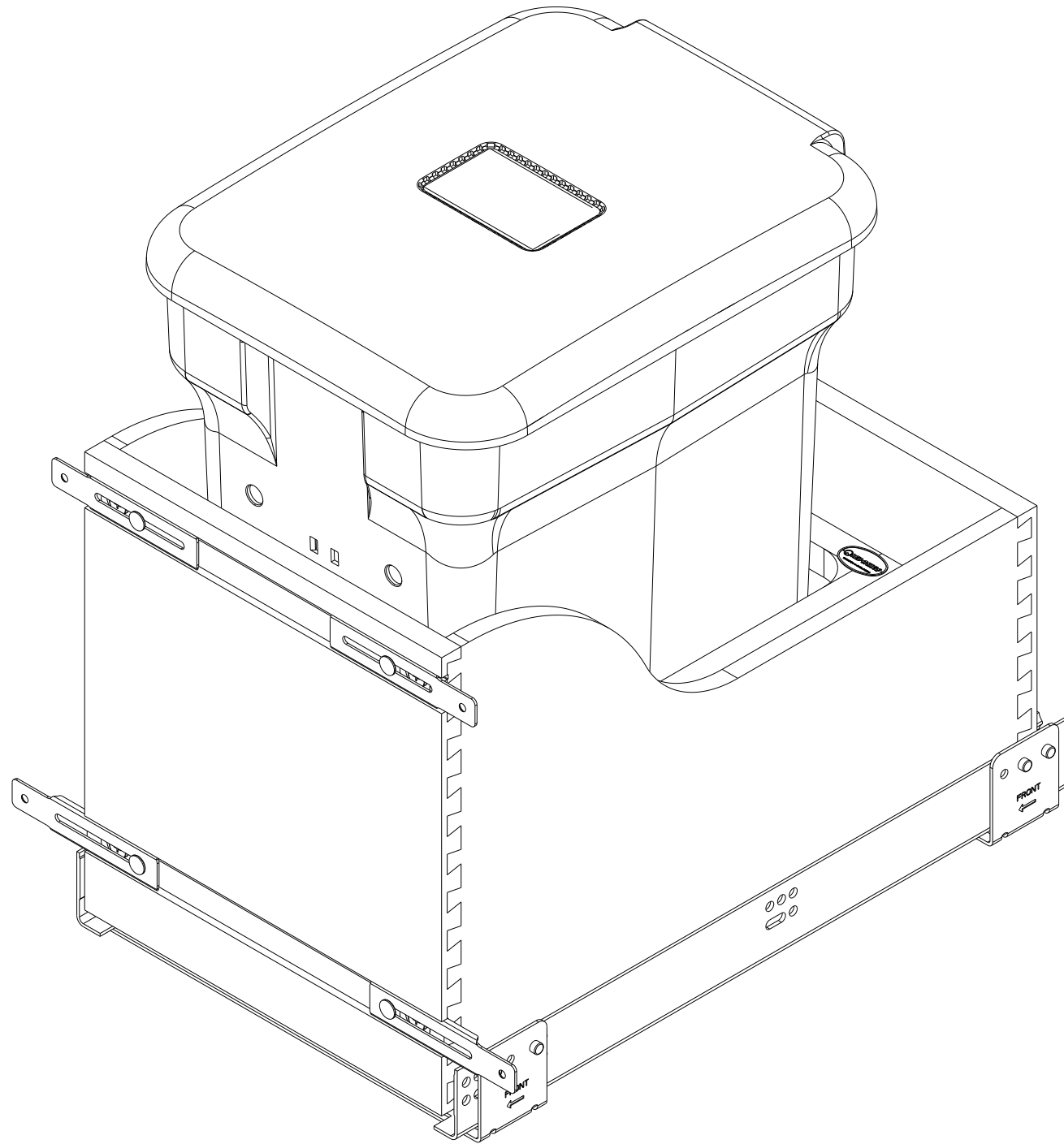
TOP VIEW

CUSTOMER DRAWING

This drawing is the property of Rev-A-Shelf (RAS) and is disclosed in confidence to the extent its subject matter is original to RAS. Any vendor receiving this drawing from RAS shall hold and use this drawing for the sole benefit of RAS and shall not disclose it to, or use or reproduce it for any third party, or perform any act adverse to the interest of RAS with respect to this drawing without the express written permission of RAS. Vendors shall not revise any physical, dimensional or performance characteristic unless authorized by Rev-A-Shelf Engineering.

REV.	DATE	BY	DESCRIPTION OF CHANGE

INCH [MM]	AMERICAN PROJECTION 	DRAWN	BY	DATE	REV-A-SHELF, INC.	
			JMC	1/23/19	SIZE B	SINGLE COMPO KEEPER
TOLERANCES		MATERIAL		DRAWING NO.		SCALE
MAT. DEC.		FINISH		PART NO.		SHEET OF
(WOOD) .XX ±.03 [8mm]				4WCSC-CKXX-1		1.000
(OTHER) .XX ±.02 [5mm]				4WCSC-CKXX-1		1 2
(ALL) .XXX ±.005 [13 mm]						
FRACTIONS ±1/32 [8 mm]						
ANGLES ±1/2°						



PART DIMENSIONS		
	MIN	MAX
WIDTH	11.98	
DEPTH	18.46	
HEIGHT	18.57	
WEIGHT		
DIAMETER		
RADIUS		
CONTAINER CAPACITY	24	
CONTAINER UOM	QUART	

MIN CABINET OPENING	
WIDTH	12.00
DEPTH	18.75
HEIGHT	18.75

PRODUCT MAX WEIGHT RATING

SLIDE SPECIFICATIONS				
SLIDE TYPE	BLUE TANDEM	SLIDE EXTENTION	FULL	MAX WEIGHT RATING
SLIDE CLOSING	SELF/SOFT	SLIDE LENGTH	18" [457]	
SLIDE MOUNTING	SIDE	SLIDE FINISH	ZINC	135 LB STATIC

XX = BLACK - BK  
 GREEN - GR  
 WHITE - WH  
 ORION  
 GRAY - OG

CUSTOMER DRAWING

This drawing is the property of Rev-A-Shelf (RAS) and is disclosed in confidence to the extent its subject matter is original to RAS. Any vendor receiving this drawing from RAS shall hold and use this drawing for the sole benefit of RAS and shall not disclose it to, or use or reproduce it for any third party, or perform any act adverse to the interest of RAS with respect to this drawing without the express written permission of RAS. Vendors shall not revise any physical, dimensional or performance characteristic unless authorized by Rev-A-Shelf Engineering.

REV.	DATE	BY	DESCRIPTION OF CHANGE

INCH [MM]	AMERICAN PROJECTION 	DRAWN	BY	DATE	REV-A-SHELF, inc.
		JMC	JMC	1/23/19	
		MATERIAL		DRAWING NO. 4WCSC-CKXX-1	
		FINISH		PART NO. 4WCSC-CKXX-1	
		TOLERANCES MAT. DEC. (WOOD) .XX ±.03 [.8mm] (OTHER) .XX ±.02 [.5mm] (ALL) .XXX ±.005 [.13 mm] FRACTIONS ±1/32 [.8 mm]		SCALE 0.300	
		ANGLES ±1/2°		SHEET OF 2 2	