

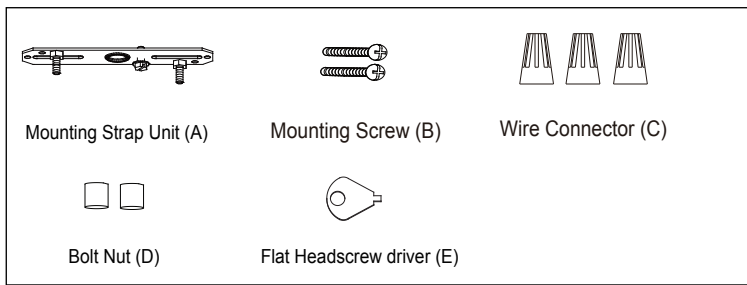
# ASSEMBLY AND INSTALLATION INSTRUCTIONS

P0405

**WARNING:** TO AVOID RISK OF ELECTRICAL SHOCK, BE SURE TO SHUT OFF POWER WHILE INSTALLING OR SERVICING THIS FIXTURE.

**NOTES:** 1. Before installing, consult local electrical codes for wiring and grounding requirements.  
2. Read and save this instruction.

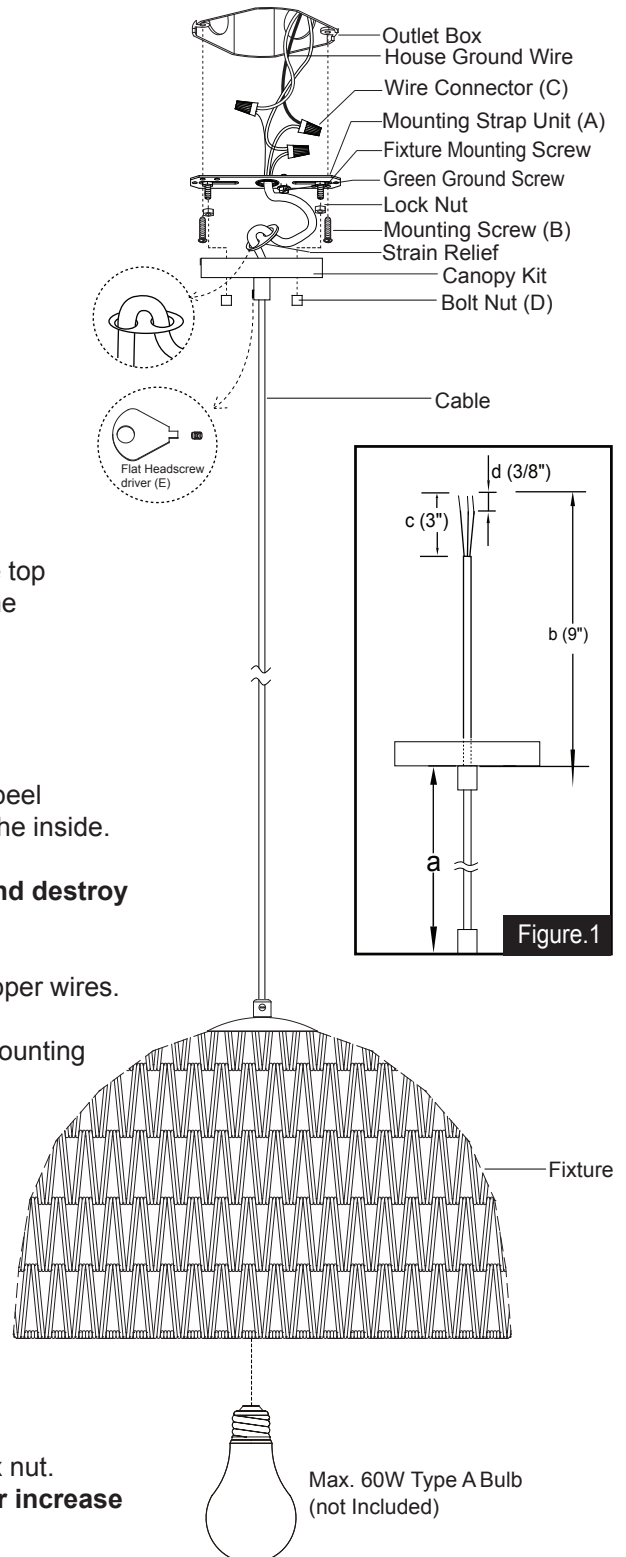
## Hardware Package (included):



## Installation Steps

Turn off the power at fuse or circuit box.

1. Fastening cable by screwing plastic headless screw, using flat headscrew driver (E).
2. Measure the desired length of the cable (a) from the canopy to the top side of the cap nut and leave an additional 9" of cable (b) above the canopy (include the canopy), then cut off the unnecessary cable. (See Figure.1)
3. Adjust strain relief at 9" position from the top of the cord.
4. Mark the 3" of cord (c) from the top of the cord (b). Use a knife to peel off the insulation of the cord (c) carefully to expose the 3 wires on the inside. (See Figure 1)  
**Caution: Cutting too deep may cut off the three inside wires and destroy the insulation surface of the three inside wires.**
5. Peel off the wire from the top about 3/8" long (d) to expose the copper wires.
6. Attach the mounting strap unit (A) to the outlet box by using two mounting screws (B).
7. Pull out the outlet wires and the house ground wire from the outlet box. Make wire connections using the wire connectors (C):
  - a. The black wire from the fixture to the black wire from the power source.
  - b. The white wire from the fixture to the white wire from the power source.
  - c. The green ground wire from the fixture to the green ground wire from power source.Carefully put wires back into the outlet box.
8. Pull the cord (a) down slightly until the strain relief touches the hex nut.  
**Note: Adjusting the strain relief of the canopy can decrease or increase the length of cord that is exposed.**


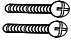





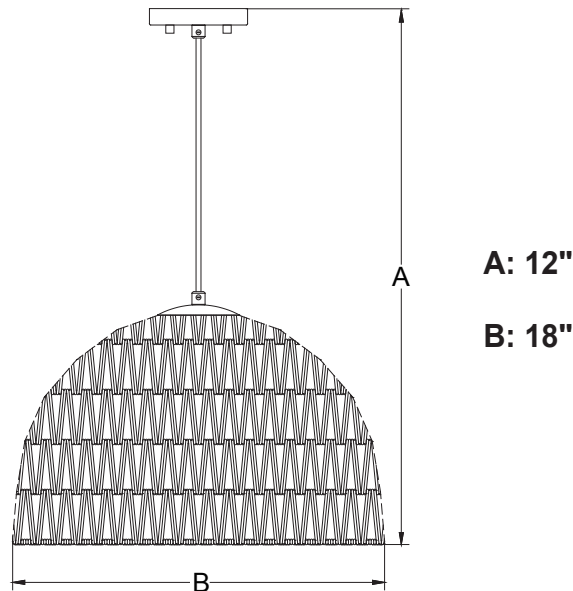
9. Attach the canopy kit to the mounting strap unit (A) by inserting the fixture mounting screws, and secure it with two bolt nuts (D).
10. Install 1 x 60W Max. medium base bulb (not included).  
**See relamping label at socket area or packaging for maximum wattage allowed.**

**Turn on the power at fuse or circuit box.**

The following parts are available for reorder if damaged or missing.

**Spare Parts List:**

|  |  |   |                                       |
|--|--|---|---------------------------------------|
| <br>Mounting Strap Unit (A) | <br>Mounting Screw (B)        | <br>Wire Connector (C) | → Mounting Hardware<br>6587MM (1 SET) |
| <br>Bolt Nut (D)            | <br>Flat Headscrew driver (E) |   |                                       |



### 1 Year Warranty

Vaxcel warrants all of our products against defects in workmanship and finishes for one year following the date of shipment.

*Exclusions: This warranty does not include the failure of products from extreme acts of nature; environmental conditions not suited for the products intended use; operation in temperatures outside of the range specified in the instruction manual; usage with improper power supply, power surges or dips. For coastal locations, some corrosion is considered normal for the environment.*

*Vaxcel reserves the right to repair, replace or issue a credit for any properly installed product, provided it is returned per RMA instruction. This warranty is limited to the cost of the product only and does not extend to transportation, installation or replacement costs.*

How can warranty service be obtained?  
 info@vaxcel.com  
 1-800-482-9235