



Manufactured by:  
Backyard Discovery  
3305 Airport Drive, Pittsburg, KS 66762  
800-856-4445

Basepoint Business Centre: Rivermead Drive, Westlea, Swindon SN5 7EX Phone: 0800-118-2476 J.P. Coenstraat 7, The Bridge, The Hague, 2595 WP, Netherlands Phone: 08005678990

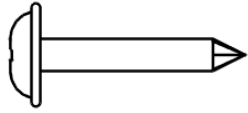
# 14x12 BARRINGTON MOSQUITO MESH KIT MODEL # : 9230163



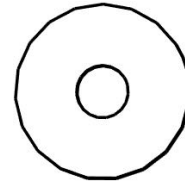
Please visit [www.backyarddiscovery.com](http://www.backyarddiscovery.com)  
For the most up to date assembly manual, to register your product, or to order  
replacement parts *Para obtener instrucciones en español, visite*  
[www.backyarddiscovery.com](http://www.backyarddiscovery.com)

# OWNER'S MANUAL - PARTS IDENTIFICATION

## HARDWARE COMPONENTS (NOT TO SCALE)

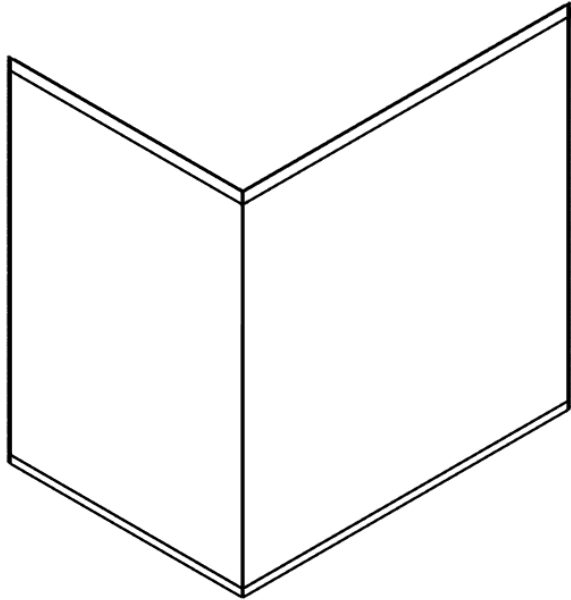


H100392 SCREW PWH BLK  
(x124) #8x3/4

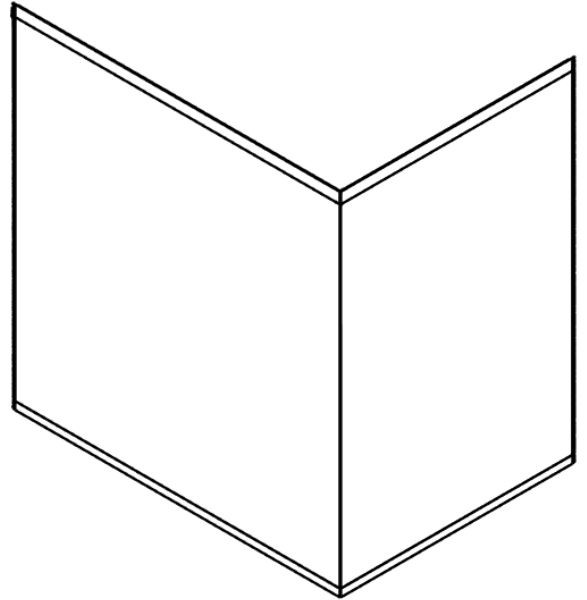


H100478 WASHER BLK  
(x8) 8x27

## ACCESSORY COMPONENTS (NOT TO SIZE)



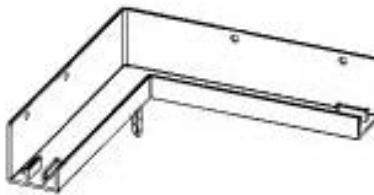
A6P00890 MESH PANEL CURTAIN  
(x2)



A6P00723 MESH PANEL CURTAIN  
(x2)



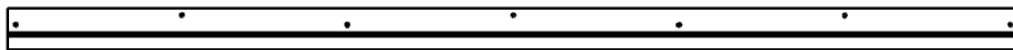
A6P00752 MESH PANEL TIE  
(x4)



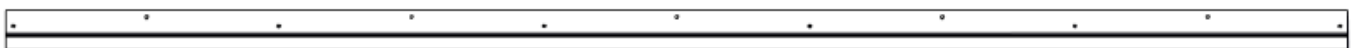
A6P00720 CORNER CAP  
(x4)



A6P00535 MESH PANEL HOOK  
(x80)



A6P00721 MESH PANEL TRACK  
(x4)



A6P00718 MESH PANEL TRACK  
(x4)

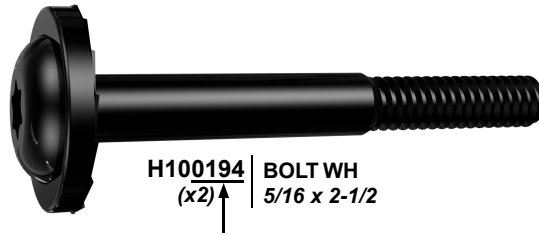
# PRE-ASSEMBLY STEP 1 - SORTING PARTS

It is critical for ease of assembly that you take the time to sort and organize the parts and hardware.

---

## HARDWARE PARTS:

- We recommend that you have a separate table to organize the hardware.
- Hardware bags are printed with a seven-digit, alpha-numeric part number.
- You can organize your hardware by part number or group by hardware type (i.e. bolts, nuts, etc.).
- During assembly you only need to reference the last four digits of the number.



## TOOLS REQUIRED:



Cordless Drill or  
Electric Drill



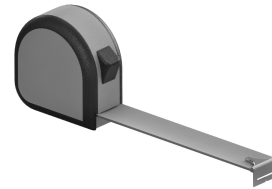
Drill Attachments:  
Phillips Head



1/8" & 3/8" Drill  
Bits



Phillips Screw Driver



Tape Measure

# STEP 1 - TIES

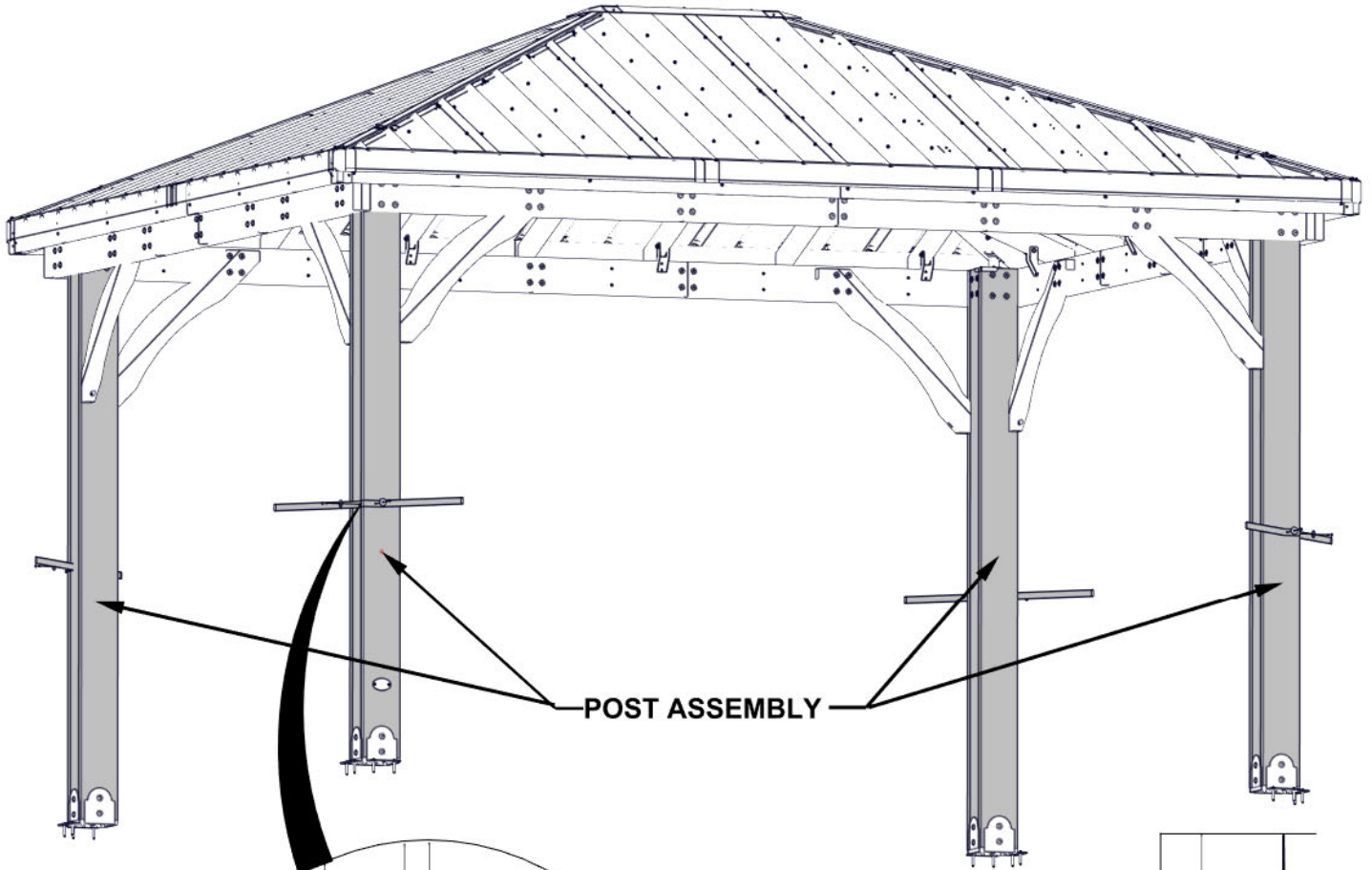
Qty	PART NUMBER	DESCRIPTION
8	H100478	WASHER FLAT 8X27 BLK
8	H100392	SCREW PWH 8 X 3/4 BLK



A6P00752 MESH PANEL TIE  
(x4)

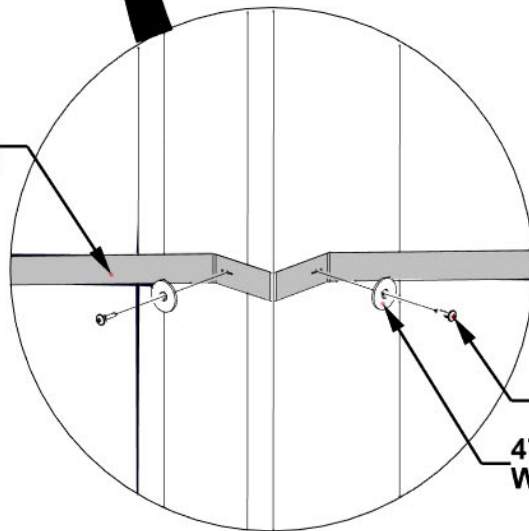
## NOTES:

- ATTACH EACH MESH PANEL TIE TO THE POST ASSEMBLY AS SHOWN BELOW.



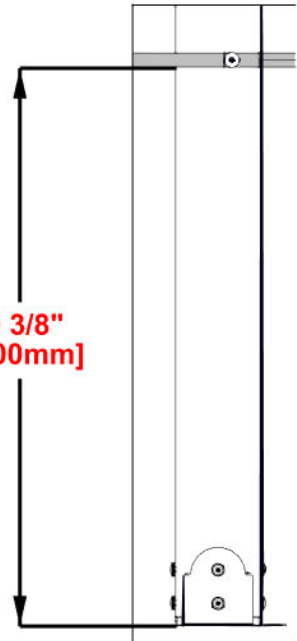
POST ASSEMBLY

0752 (x4)  
MESH PANEL TIE



392 (x8)  
SCREW - 3/4"  
478 (x8)  
WASHER - 8x27

39 3/8"  
[1000mm]

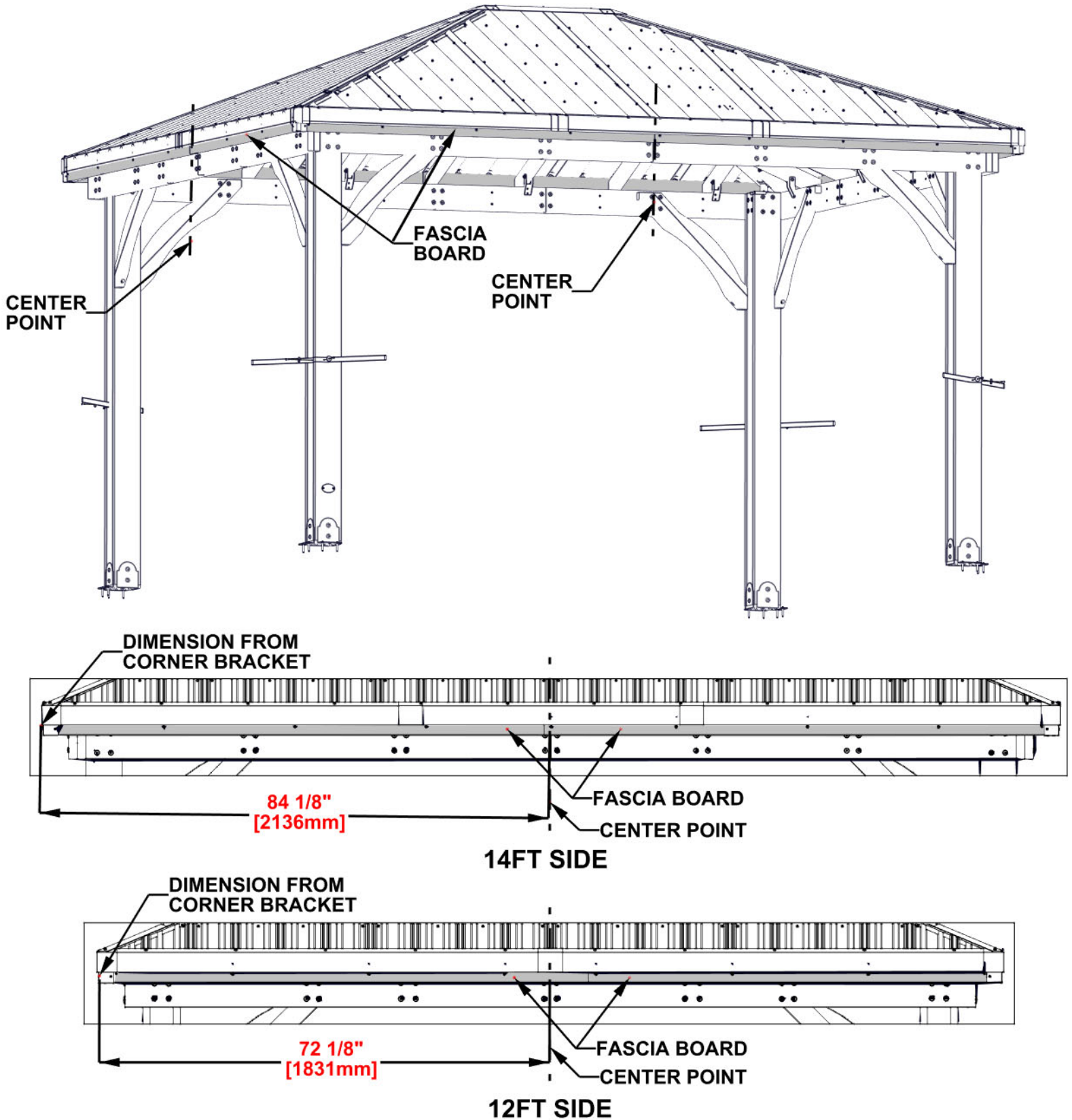


# STEP 2 - MEASURE

## NOTES:

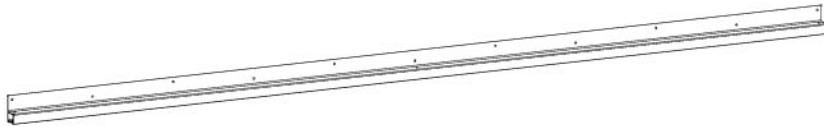
EXTRA PEOPLE ARE HELPFUL FOR THIS STEP.

- MEASURE & MARK CENTER ON ALL FOUR SIDES OF FASCIA BOARD.

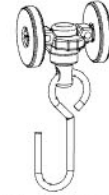


# STEP 3 - TRACKS 14FT SIDE

Qty	PART NUMBER	DESCRIPTION
56	H100392	SCREW PWH 8 X 3/4 BLK



A6P00718 MESH PANEL TRACK  
(x4)

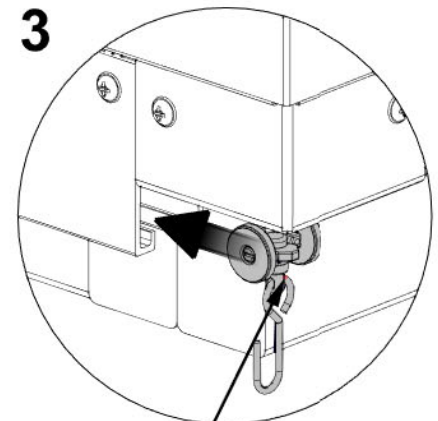
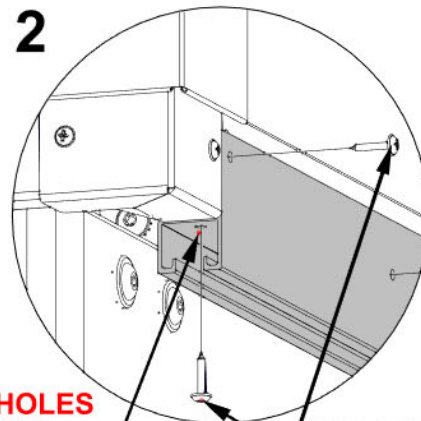
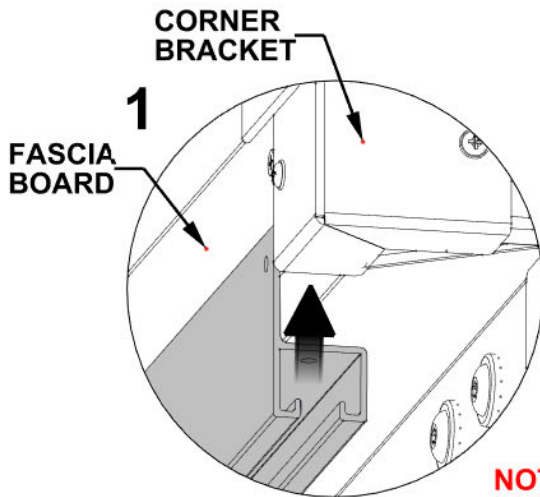
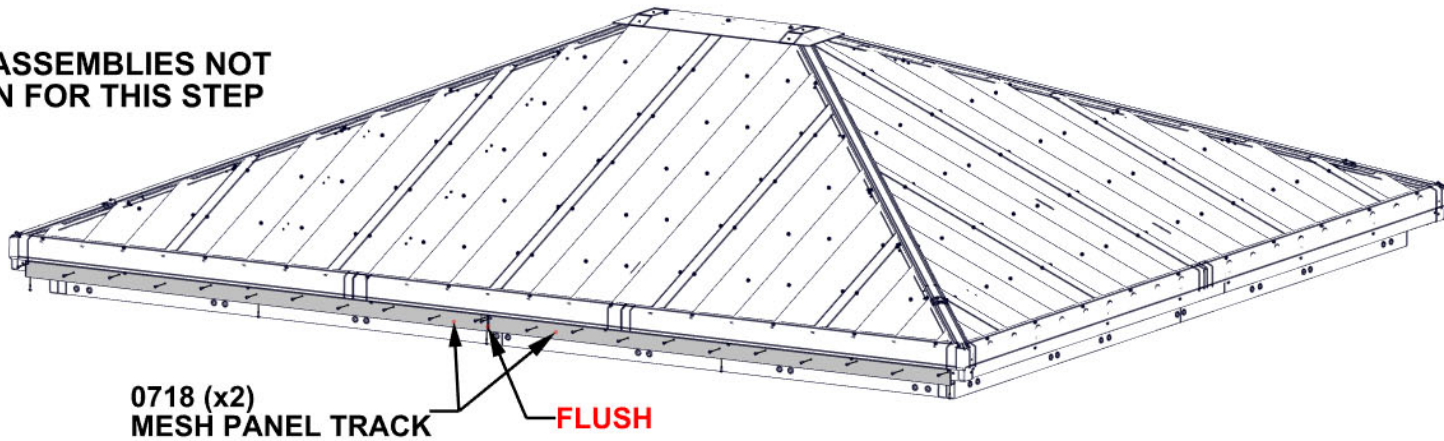


A6P00535 MESH PANEL HOOK  
(x44)

**NOTES:**

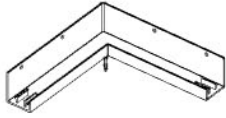
- EXTRA PEOPLE ARE HELPFUL FOR THIS STEP.
1. BEGINNING AT THE CENTER POINT, MOUNT ONE (0718) TRACK SO IT IS FULLY SEATED AGAINST THE BOTTOM OF THE FASCIA BOARD (IMAGE 1).
  2. ATTACH AS SHOWN (IMAGE 2).
  3. INSERT 11 HOOKS AS SHOWN (IMAGE 3). NOTE-22 HOOKS PER 14FT SIDE.
  4. REPEAT STEPS 1-3 FOR THE SECOND TRACK. **NOTE: TRACKS SHOULD BE FLUSH IN THE CENTER.**
  5. REPEAT ALL STEPS FOR THE OPPOSITE 14FT SIDE.

POST ASSEMBLIES NOT SHOWN FOR THIS STEP

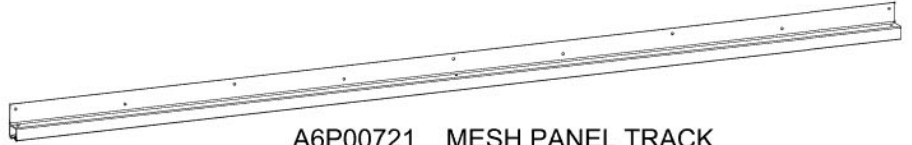


# STEP 4A - TRACKS 12FT SIDE

Qty	PART NUMBER	DESCRIPTION
15	H100392	SCREW PWH 8 X 3/4 BLK



A6P00720 CORNER CAP  
(x1)

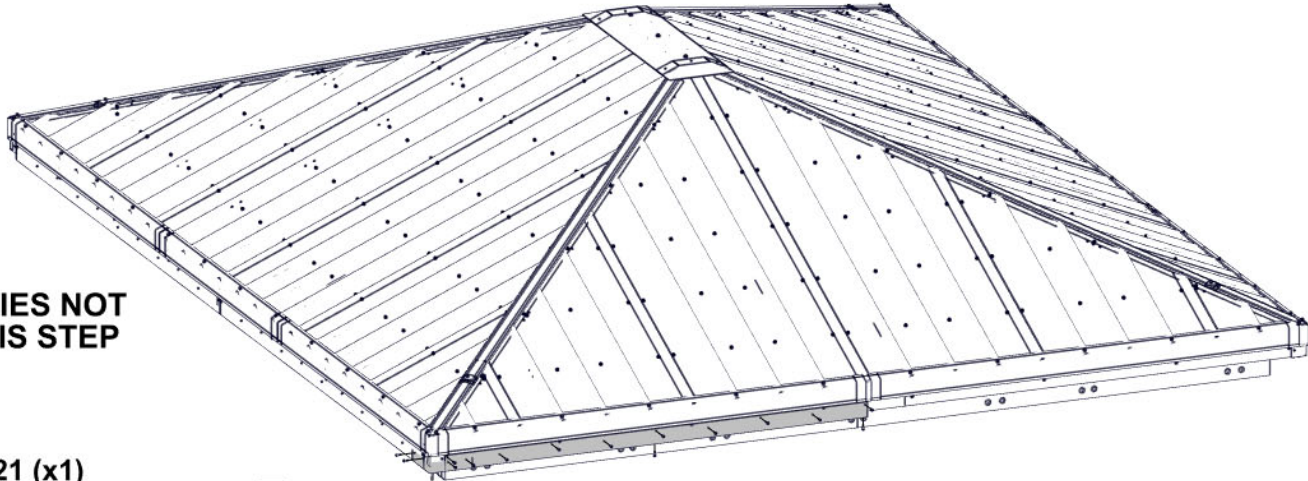


A6P00721 MESH PANEL TRACK  
(x1)

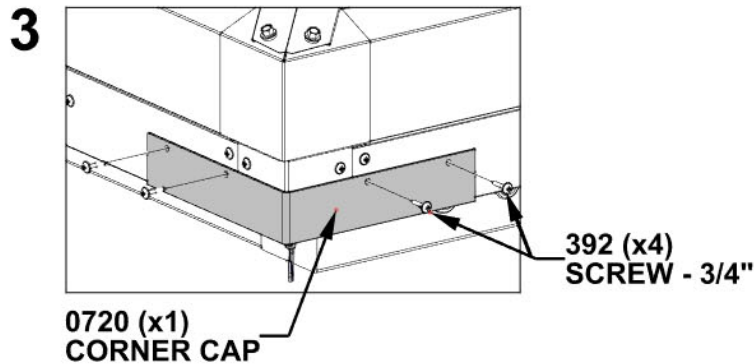
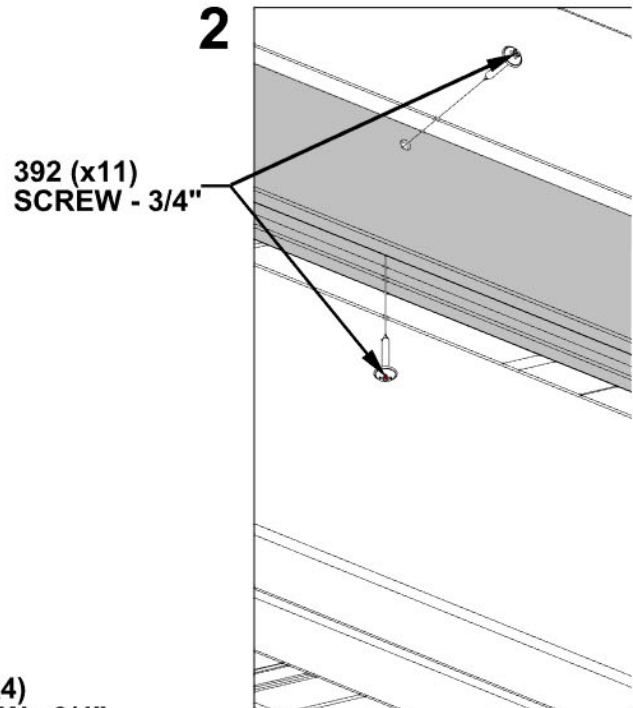
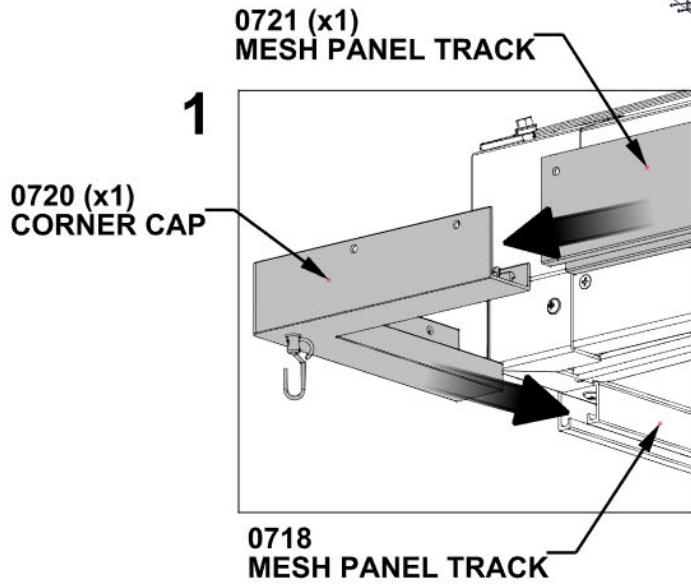
**NOTES:**

EXTRA PEOPLE ARE HELPFUL FOR THIS STEP.

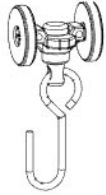
1. BEFORE PLACING THE TRACK, SLIDE ONE 0721 TRACK INTO THE 0720 CORNER CAP TO CREATE ONE PIECE (IMAGE 1).
2. MOUNT CORNER CAP & TRACK COMBINATION SO IT IS FULLY SEATED AGAINST THE BOTTOM OF THE FASCIA BOARD.
3. SLIDE THE OTHER SIDE OF THE CORNER CAP ONTO THE 14FT TRACK (0718) (IMAGE 1).
4. ADJUST CORNER CAP AS NEEDED TO ENSURE THE OTHER END OF THE TRACK IS AT THE CENTER POINT. SECURE TRACK AS SHOWN (IMAGE 2). INSERT CORNER CAP SCREWS LAST (IMAGE 3).



POST ASSEMBLIES NOT SHOWN FOR THIS STEP



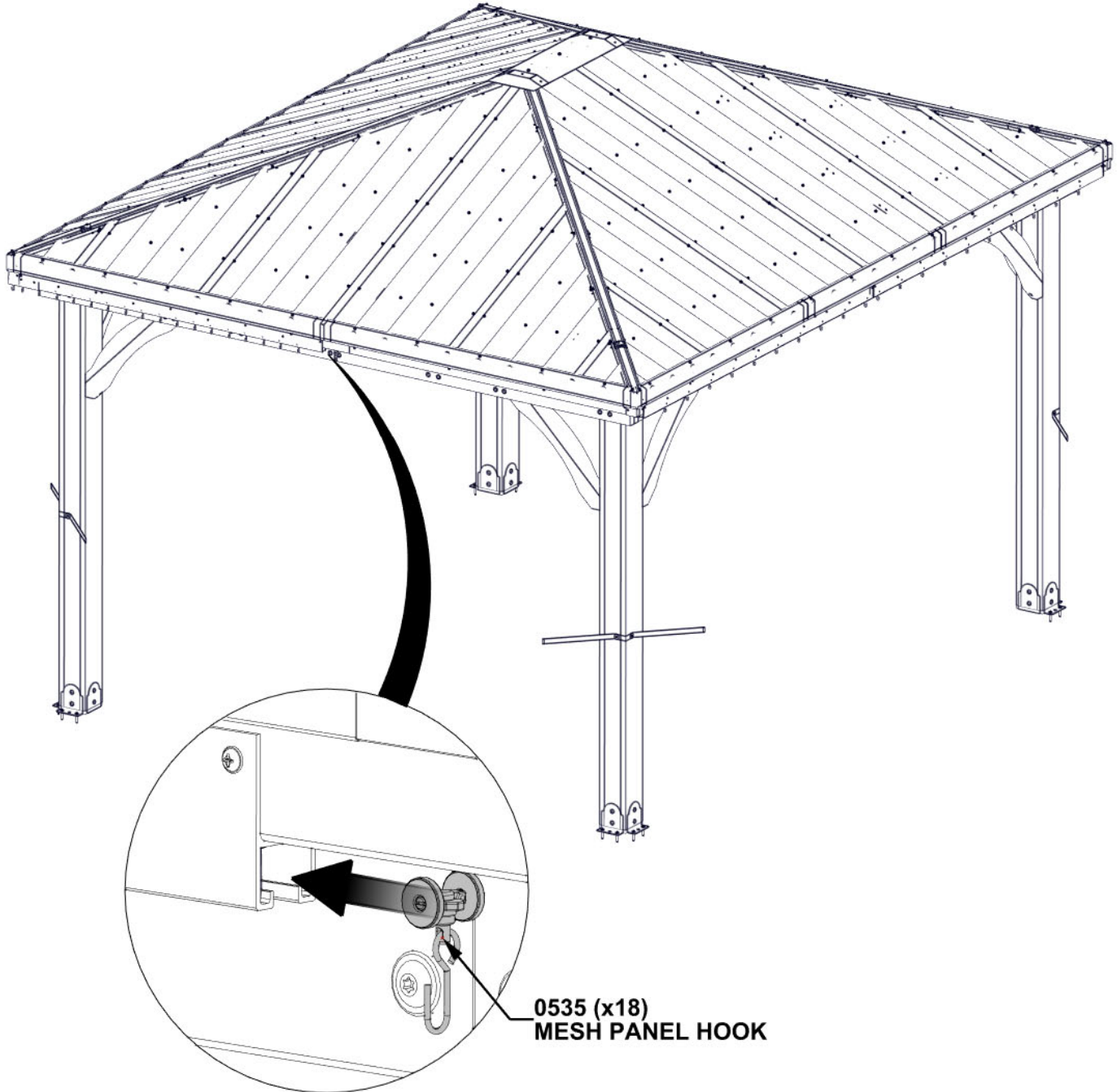
# STEP 4B - HOOKS 12FT SIDE



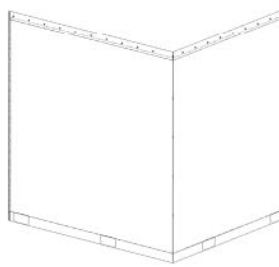
A6P00535 MESH PANEL HOOK  
(x18)

## NOTES:

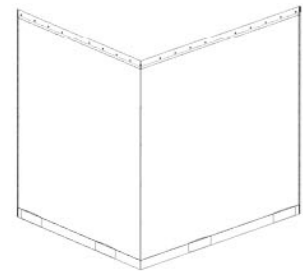
1. INSERT 18 HOOKS INTO THE TRACK. **NOTE: INSERT HOOKS BEFORE ATTACHING SECOND TRACK.**
2. REPEAT STEP 4A FOR SECOND 0721 TRACK & 0720 CORNER CAP.
3. AFTER TRACKS ARE ATTACHED, SPACE HOOKS EVENLY. (9 PER TRACK)
4. REPEAT STEPS 4A AND 4B FOR OPPOSITE 12 FT SIDE.



# STEP 5 - MESH PANEL

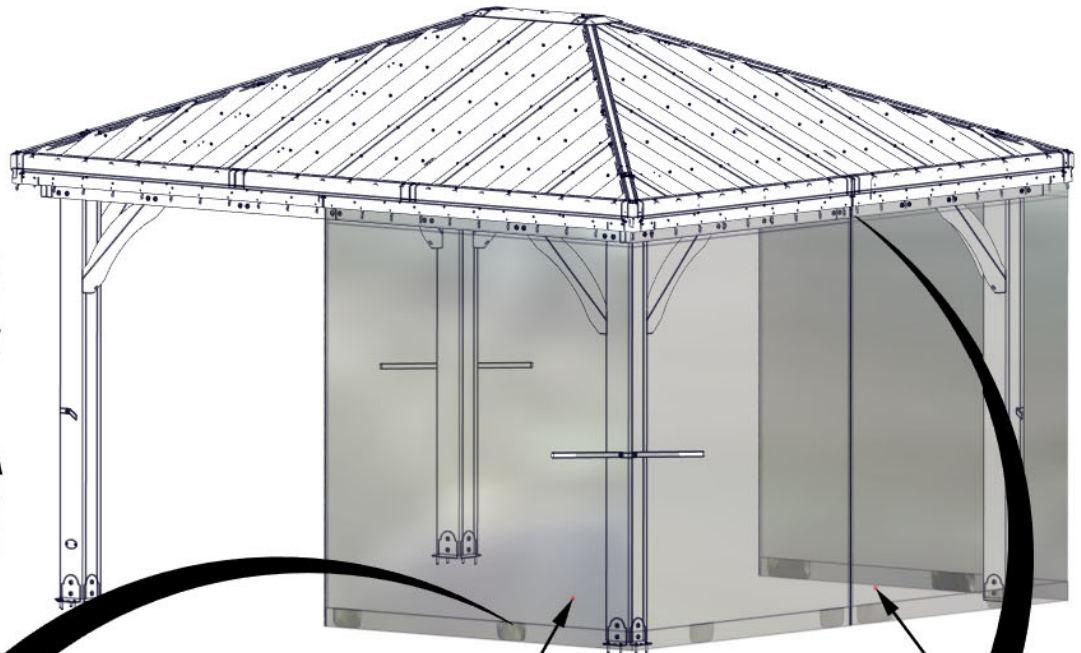


A6P00890 MESH PANEL  
(x2)



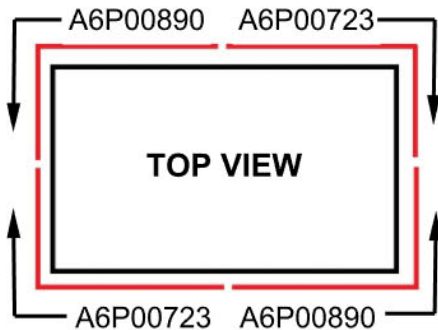
A6P00723 MESH PANEL  
(x2)

- NOTES:**
1. EACH PANEL GOES AROUND THE OUTSIDE OF THE POSTS AND COVERS ONE HALF OF THE 14FT SIDE AND ONE HALF OF THE 12FT SIDE.  
**PAY CAREFUL ATTENTION TO THE MESH PANEL PART NUMBERS AS YOU WILL ALTERNATE THEM WHEN HANGING (SEE IMAGE BELOW).**
  2. THE POCKETS AT THE BOTTOM OF THE PANELS SHOULD BE FACING THE INSIDE OF THE GAZEBO.  
**ZIPPERS WILL NOT ALIGN IF PANELS ARE FACING THE WRONG DIRECTION.**
  3. BEGIN HANGING MESH PANEL A6P00890 AT THE CENTER OF THE 14FT SIDE (USING 10 HOOKS). CONTINUE AROUND THE POST TO THE 12FT SIDE (USING 9 HOOKS).  
**DO NOT ATTACH CORNER HOOK AT THIS TIME.**
  4. REPEAT USING THE A6P00723 PANEL ON THE SECOND HALF OF THE 12FT SIDE.
  5. REPEAT STEPS 3 & 4.
  6. **AFTER ALL PANELS ARE HUNG, ZIP TOGETHER AND ATTACH CORNER HOOKS INTO SLOT THAT BEST ALIGNS WITH THE HOOK.**

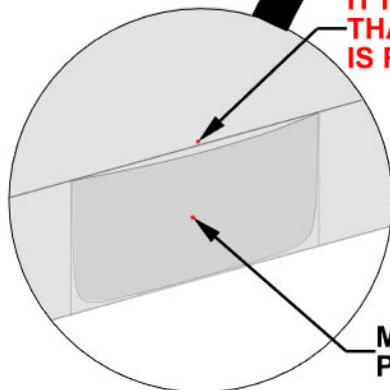


A6P00890 (x2)  
MESH PANEL

A6P00723 (x2)  
MESH PANEL

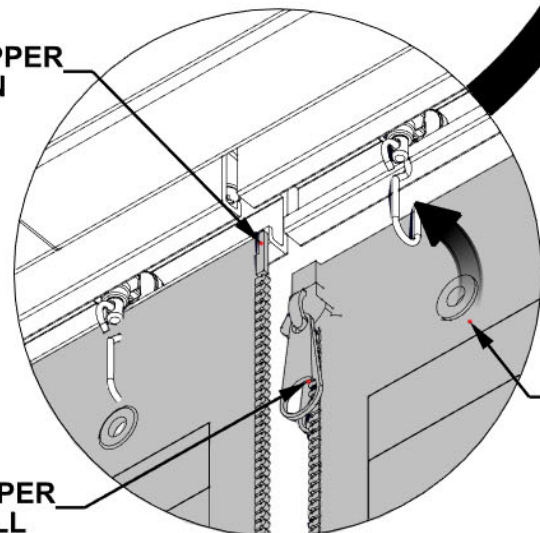


**IT IS RECOMMENDED THAT EACH POCKET IS FILLED WITH WEIGHT**



MESH PANEL POCKET

ZIPPER PIN



ZIPPER PULL

GROMMET