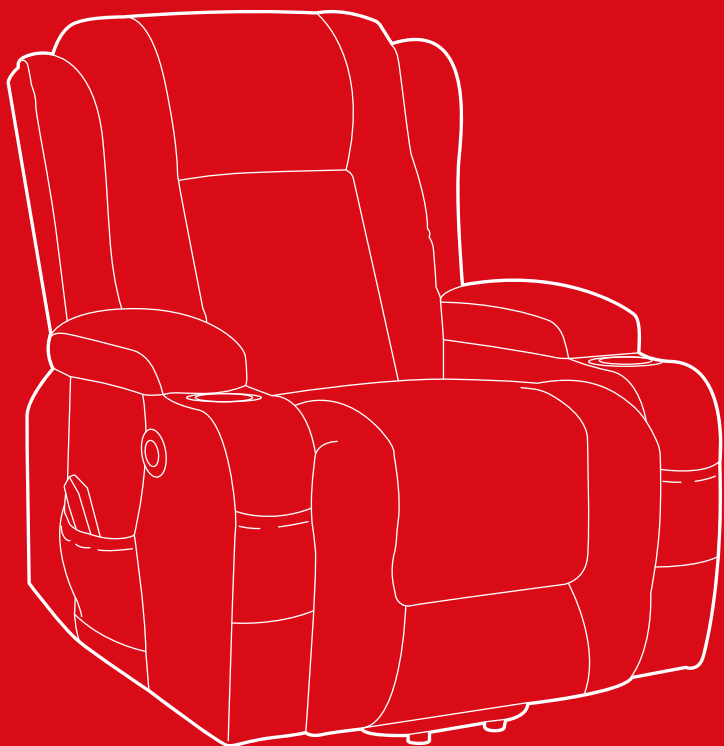




bestchoiceproducts



INSTRUCTION MANUAL

Massage Chair

SKY5894 + SKY5895 + SKY5896 + SKY6451
SKY6452 + SKY6453+ SKY6454

! NOTICE

- Firmly secure all parts before use.
- Reconfirm that all parts are secure every 90 days.
- Do not use or store this item or its parts in the proximity of open flame or flammable/combustible chemicals.
- Do not expose this product or its electrical parts to water.
- If any parts are missing, broken, damaged, or worn, stop using this product until repairs are made and/or factory replacement parts are installed.
- Do not use this item in a way inconsistent with the manufacturer's instructions as this could void the product warranty.
- Do not exceed 330 lbs. when using this product. This chair is not designed for multiple people to sit at once.
- Do not let small children or pets near during assembly.



330 LBS
CAPACITY



2 PERSON
ASSEMBLY



UP TO 35 MIN.
ASSEMBLY

! WARNING

- This product features electrical components. Do not expose this product to high temperatures or humidity.
- Always unplug this appliance when not in use.
- Only plug this product into a grounded outlet.
- Do not plug this product in with an electrical adaptor.
- Do not modify the plug.
- Do not leave with unattended children and individuals with impairments that may prevent them from safely operating this product.
- Do not stand on any part of the chair.
- Do not use this product outdoors.
- Do not use this product if the massage mechanism is exposed.
- Do not use this product if your physician or healthcare professional has advised against massage chair use.
- Do not operate this product if you are inebriated, have a pacemaker, heart condition, skin condition or injury, are pregnant, plan on becoming pregnant, have just given birth, have a disease like diabetes that disrupts sensory feedback, have osteoporosis, chronic pain or injuries, have a fever, or have other medical issues that may impede your ability to safely use this chair.
- Do not use this chair for sleeping, or if you have a history of narcolepsy.
- If you experience any pain, illness, or discomfort during use, discontinue using this chair and consult with a physician.
- Do not use this product at the same time as other medical or therapeutic devices, such as blanket warmer or another massage device.
- Only operate this device on a stable, flat surface.
- Do not operate massage function or heating function for long periods of time.
- Do not pull out the plug to turn off this product. Turn off all functions before unplugging this product.

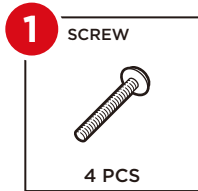
CHAIR SPECIFICATIONS

Weight	100 lbs.
Weight Capacity	330 lbs.
Power Input	100-240VAC ~ 50-60Hz
Power Output	12VDC 1000MA
Rated Voltage	DC 12.0V
Rated Power	12.0W
Rated Current	<1A
Working Temperature	14°F ~ 122°F

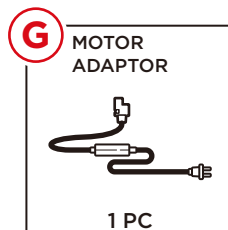
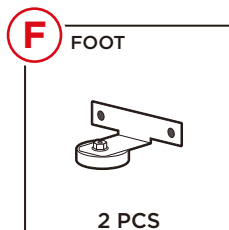
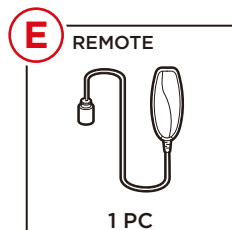
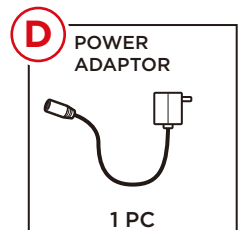
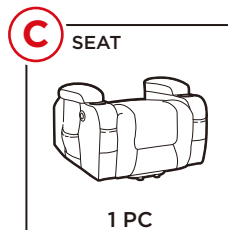
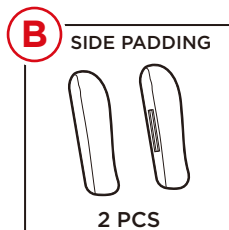
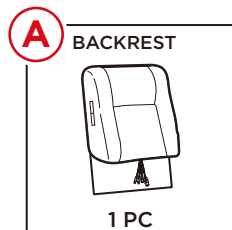
USB SPECIFICATIONS

Rated Voltage	5V
AMP	2A
Rated Wattage	10W

HARDWARE



PARTS

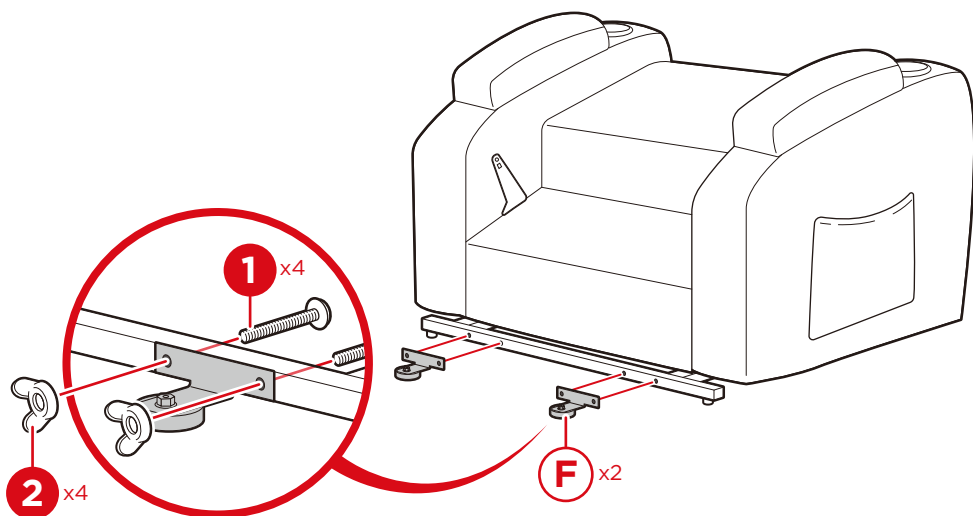


PRODUCT ASSEMBLY

1

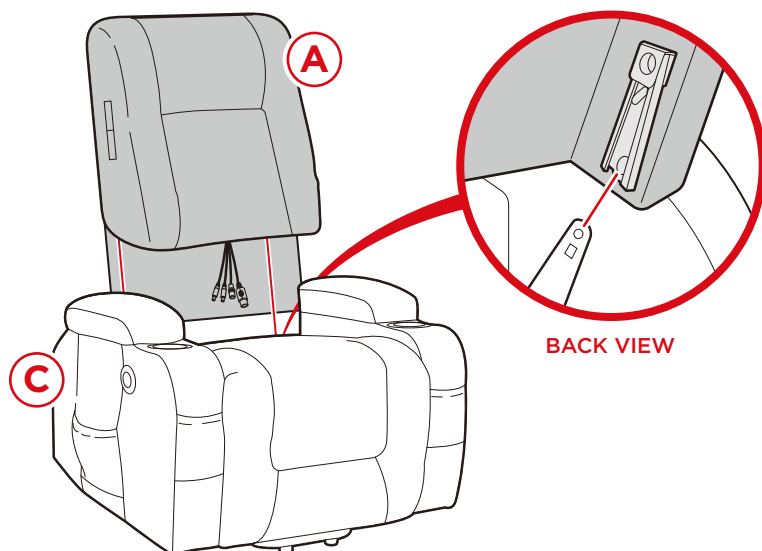
Locate the part C seat and flip so the bottom is facing upward.

Locate the four holes at the back of the chair base and attach the part F feet with four part 1 screws and secure with four part 2 wingnuts.



2

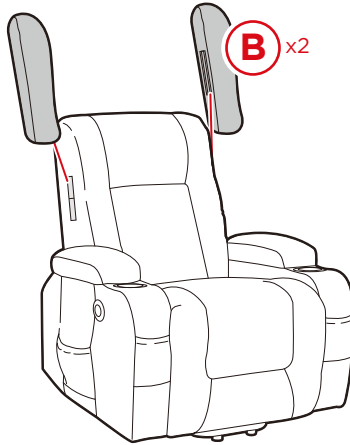
Place the part A backrest onto part C seat and insert the two metal pegs on the seat into the clips on the backrest with a click.



PRODUCT ASSEMBLY

3

Slide the part B side padding onto the part A backrest with the interlocking brackets.



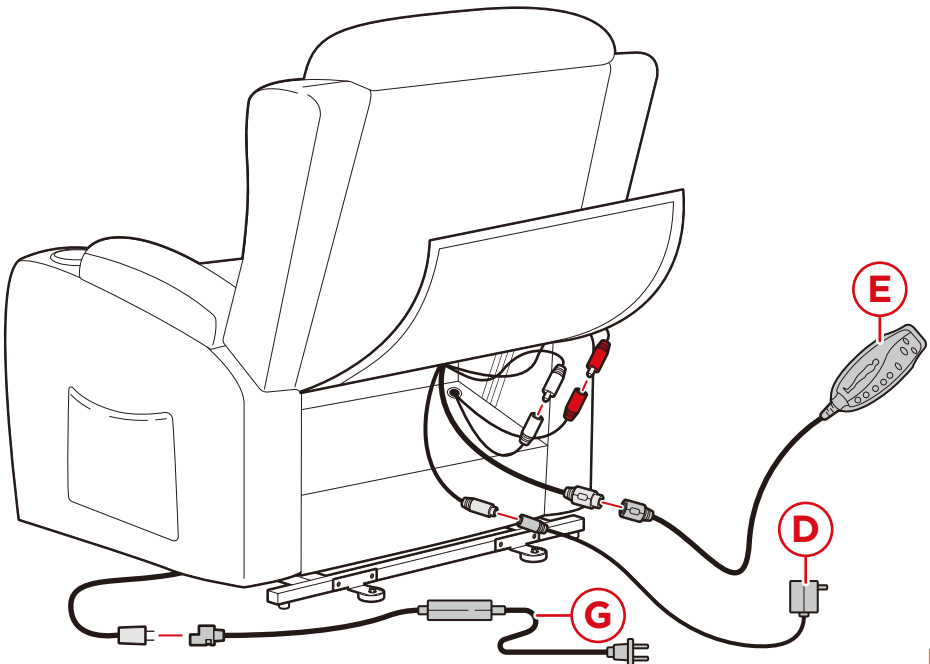
4

Join the wires from the backrest to the corresponding wires on the seat. Make sure that the corresponding sizes and colors match (white with white & red with red).

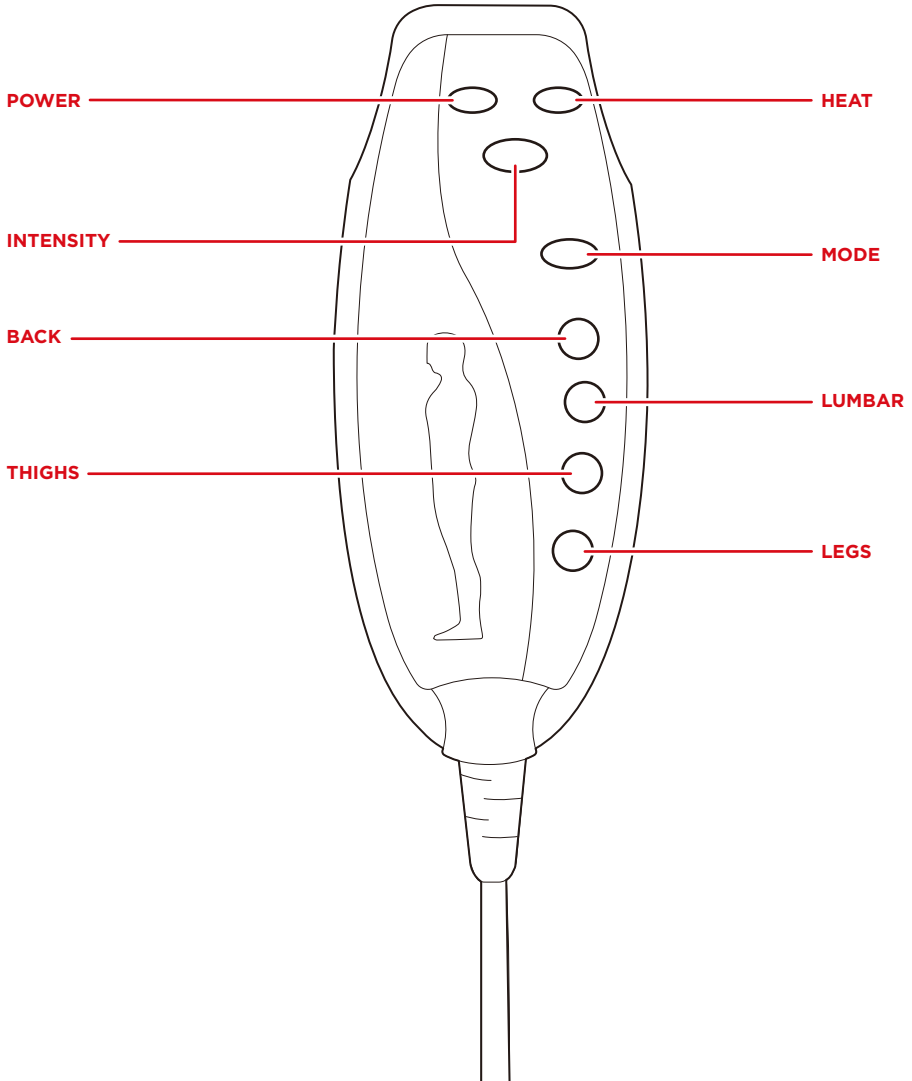
Locate the part D power adaptor and attach to its corresponding receiver on the backrest.

Locate the part E remote to and attach to its corresponding receiver on the backrest.

Locate the part G motor adaptor and attach to its corresponding receiver on the base of the chair.



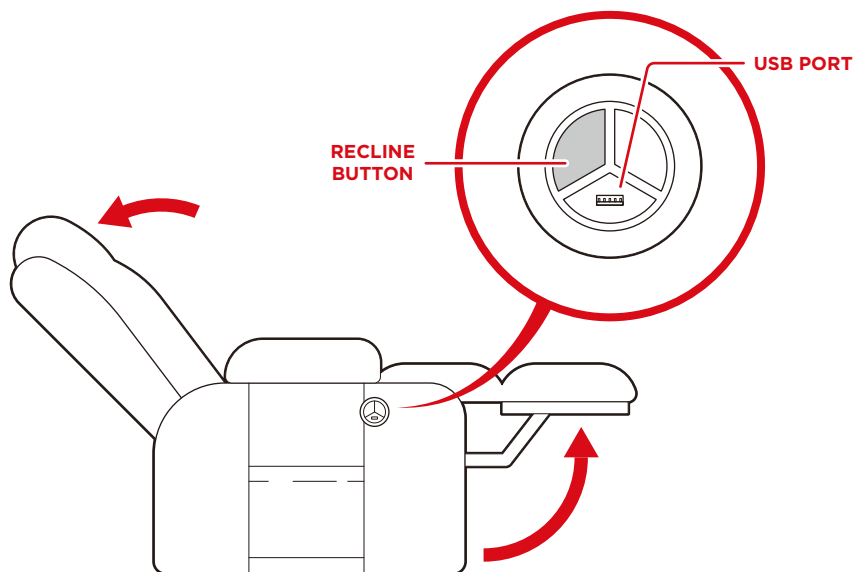
REMOTE DIAGRAM



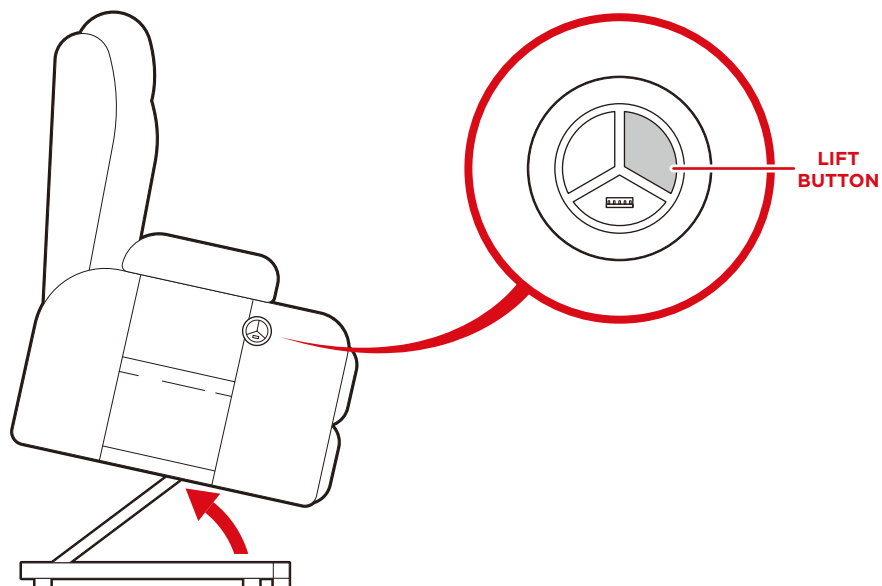
- **INTENSITY:** Switch between a high and low intensity massage.
- **MODE:** Select different types of massages, such as PULSE, PRESS, or WAVE. This also controls the AUTO and NORMAL functions. Press this button to cycle through options.
- **BACK, LUMBAR, THIGHS, and LEGS:** Target massages to specific areas or turn off massage functions for specific areas.

PRODUCT OPERATION

- **TO RECLINE:** Press and hold the recline button to achieve your desired angle.



- **TO LIFT:** Press and hold the lift button until your feet reach the ground.





HELP CENTER



Question about your product? We're here to help. Visit us at:

help.bestchoiceproducts.com



Chat Support



Product Inquiry



Orders FAQ



Product Assembly



Returns & Refunds

PRODUCT WARRANTY INFORMATION

All items can be returned for any reason within 60 days of the receipt and will receive a full refund as long as the item is returned in its original product packaging and all accessories from its original shipment are included. All returned items will receive a full refund back to the original payment method. All returned items will not be charged a re-stocking fee.

All returned items require an RA (Return Authorization) number, which can only be provided by a Best Choice Products Customer Service Representative when the return request is submitted. Items received without an RA may not be accepted or may increase your return processing time. Once an item has been received by Best Choice Products, refunds or replacements will be processed within 5 business days.

All returns must be shipped back to the Best Choice Products Return Center at the customer's expense. If the reason for return is a result of an error by Best Choice Products then Best Choice Products will provide a pre-paid shipping label via email. Boxes for return shipping will not be provided by Best Choice Products, and is the customer's responsibility to either use the original shipping boxes or purchase new boxes.

Pictures may be required for some returns to ensure an item is not damaged prior to its return. Items returned are not considered undamaged until they are received by Best Choice Products and verified as such. All damages to items are the customer's responsibility until the item has been received by and acknowledge by Best Choice Products as undamaged.

WARNING

Manufacturer and seller expressly disclaim any and all liability for personal injury, property damage or loss, whether direct, indirect, or incidental, resulting from the incorrect attachment, improper use, inadequate maintenance, unapproved modification, or neglect of this product.