
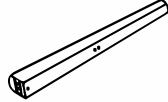
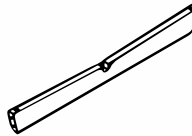








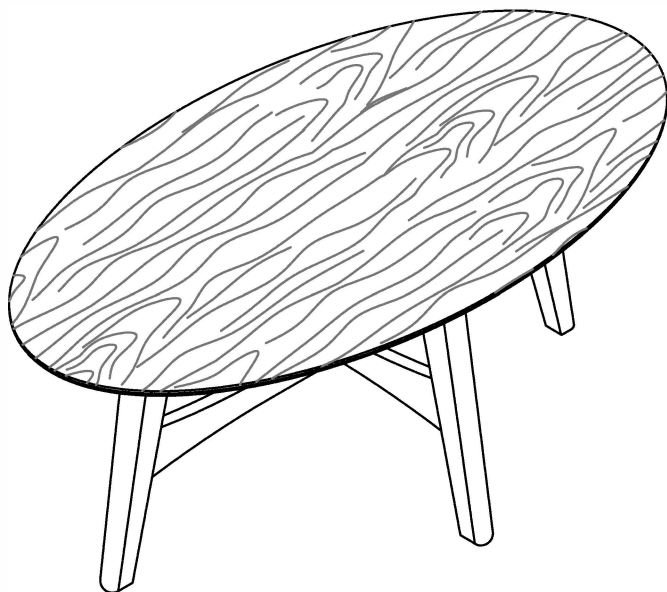


# ASSEMBLY INSTRUCTION

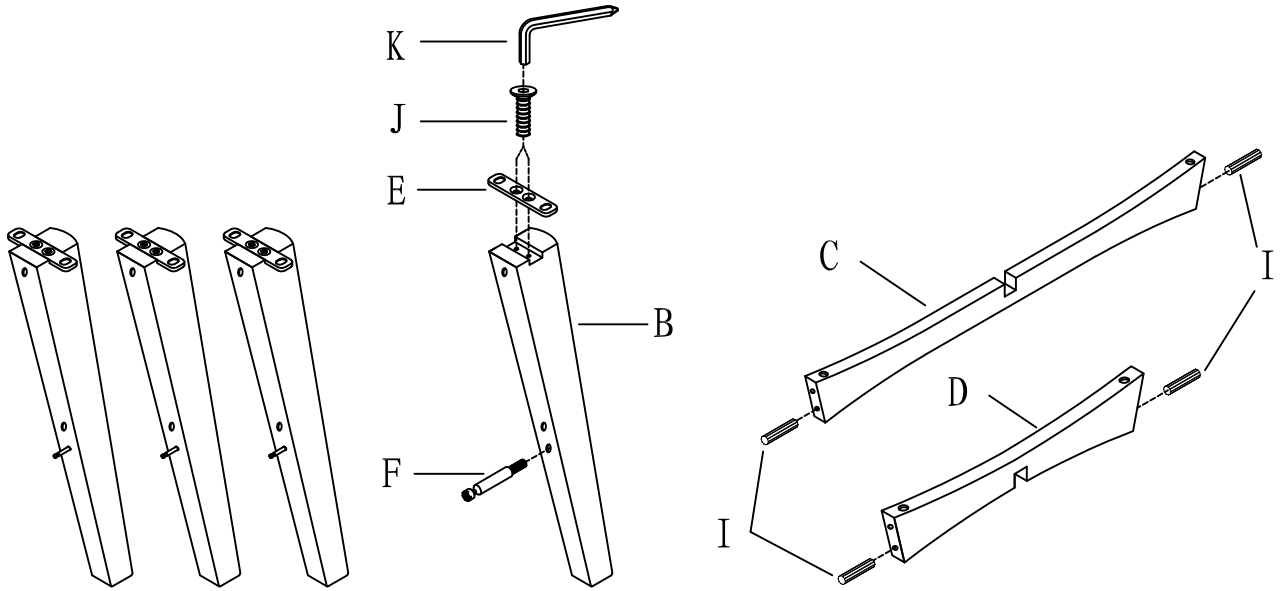
## COCKTAIL TABLE

<b>A</b> Top Panel  1PC	<b>B</b> Leg  4PCS	<b>C</b> Long Cross Bar  1PC	<b>D</b> Short Cross Bar  1PC
<b>E</b> Metal Bracket 3-1/4" X 3/4" X 4mm  4PCS	<b>F</b> Cam Bolt 1/4" X 2"  4PCS	<b>G</b> Cam Screw 3/8" X 1/4"  4PCS	<b>H</b> Cam Nut 19/32" X 9/16"  4PCS
<b>I</b> Wooden Dowel 5/16" X 1-3/16"  8PCS	<b>J</b> Bolt 1/4" X 1/2"  16PCS	<b>K</b> Allen Key 4mm  1PC	

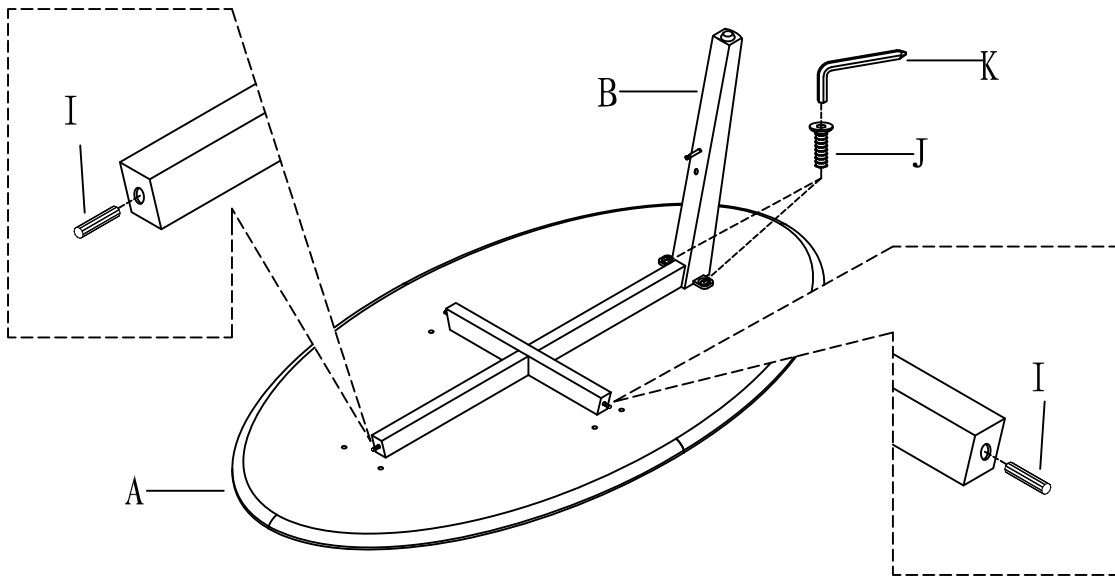


This page lists all the contents included in the box. Please take the time to identify the hardware as well as the individual components to this product. As you unpack and prepare for assembly, place the contents on a carpeted or padded area to protect them from damage.

- 1** Attach Metal Bracket (E) to Leg (B) by using Bolt (J) with Allen Key (K), and screw Cam Bolt (F) into the pre-drilled hole of the Leg (B) as shown below, and then insert Wood Dowel (I) into Long Cross Bar (C) and Short Cross Bar (D) as shown below.

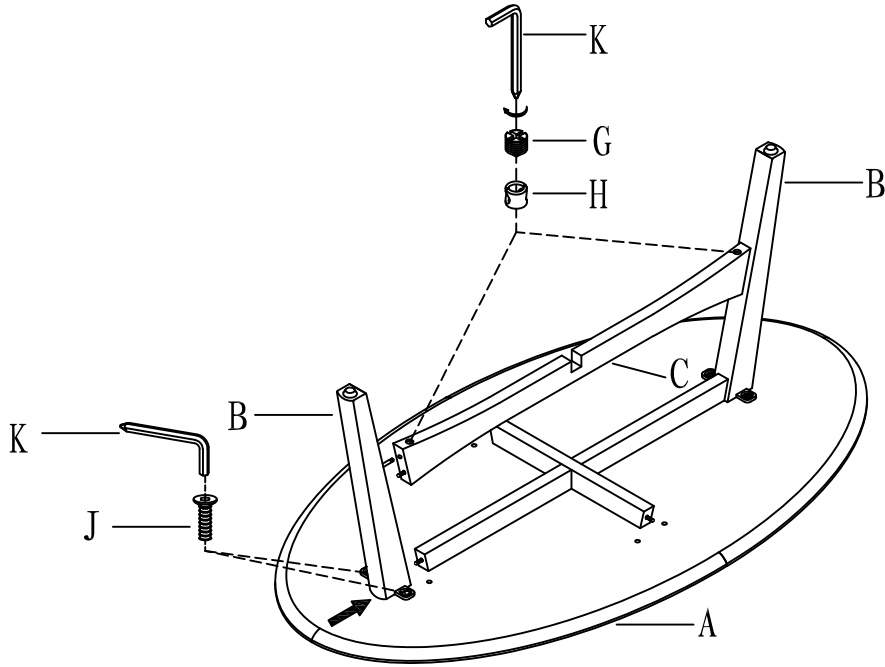


- 2** Insert Wood Dowel (I) into the pre-drilled holes of the cross bar of Top Panel (A) as shown below, then attach one Leg (B) to Top Panel (A) by using Bolt (J) with Allen Key (K).

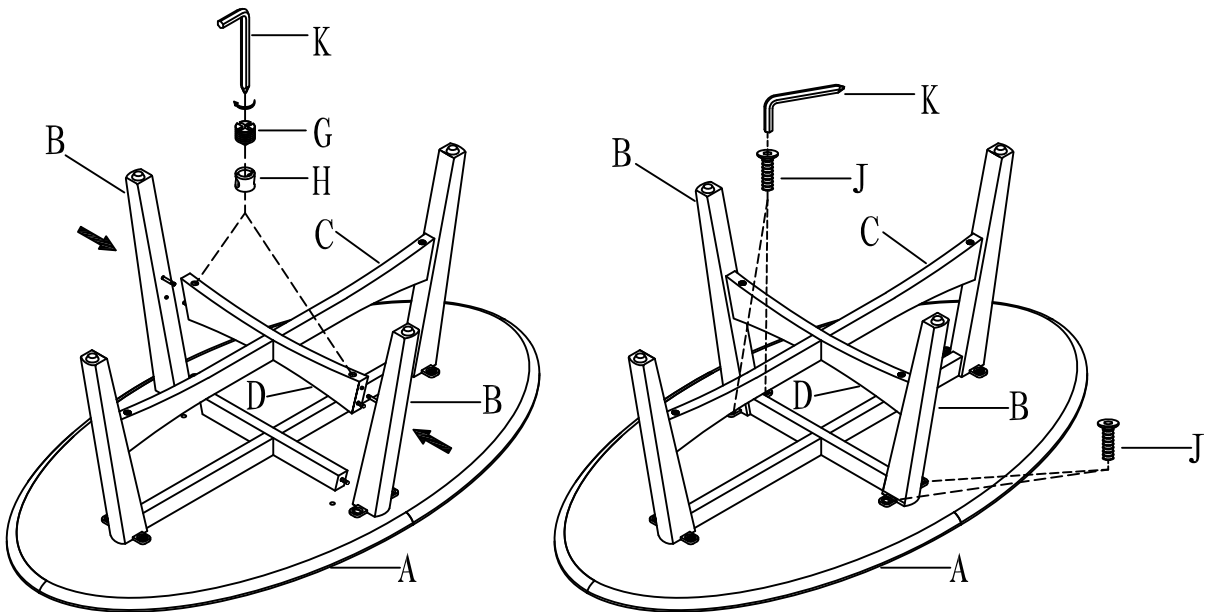


**3**

Attach Long Cross Bar (C) to assembled Leg (B) by using Cam Nut (H) and Cam Screw (G) with Allen Key (K) as shown below, then attach another Leg (B) to Long Cross Bar (C) by using Cam Nut (H) and Cam Screw (G) with Allen Key (K), then lock Leg (B) into Table Top (A) by using Bolt (J) with Allen Key (K) as drawing below.

**4**

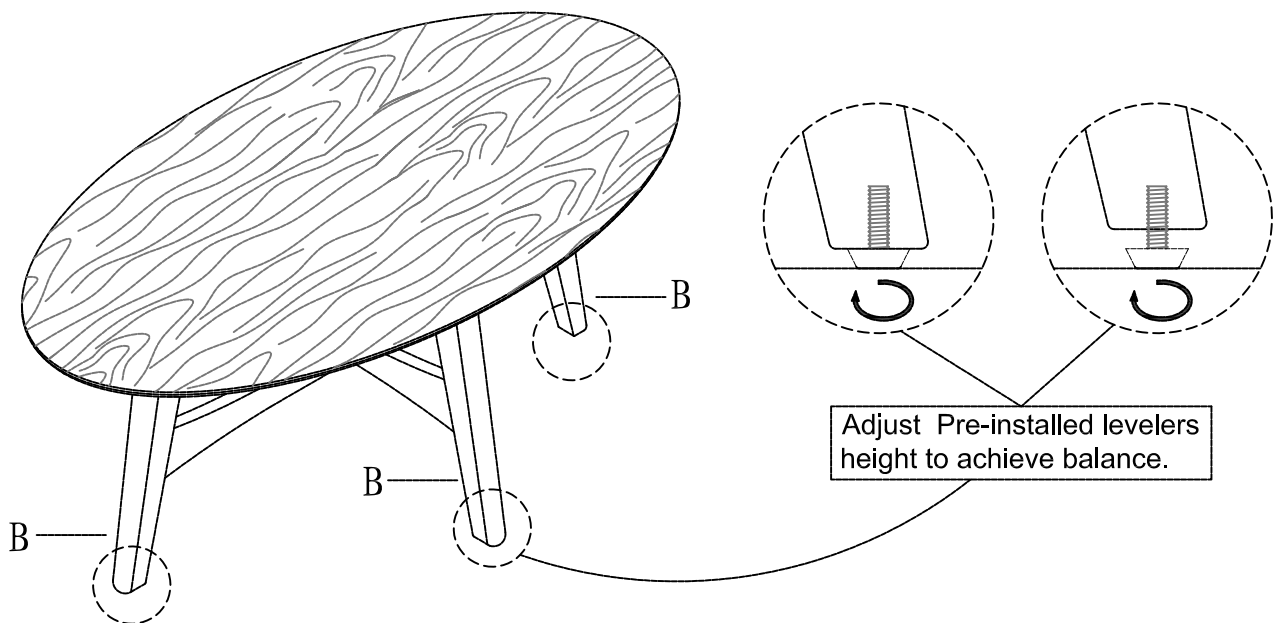
Attach Short Cross Bar (D) to Long Cross Bar (C), then assemble another two Legs (B) into Short Cross Bar (D) by using Cam Nut (H) and Cam Screw (G) with Allen Key (K) as shown below, then lock Leg (B) into Table Top (A) by using Bolt (J) with Allen Key (K) as drawing below.



---

**5**

Adjust the pre-installed levelers at the bottom of Leg (B) until the chair is level with the ground.



---

#### Cleaning & Care

Treat surface with care. Surface is resistant to scratches but is not scratch resistant. Clean surfaces with a dry or damp soft cloth. Do not use abrasive cleaners. Hardware may loosen over time. Periodically check that all connections are tight.