

POWER DISTRIBUTION UNITS

1U / 0U
BASIC / METERED SERIES

USER MANUAL

TABLE OF CONTENTS

| | |
|--|----|
| MODEL LIST..... | 2 |
| PDU NAMING CONVENTION..... | 2 |
| SAFETY PRECAUTIONS..... | 3 |
| PACKAGE CONTENTS..... | 4 |
| INSTALLATION..... | 5 |
| Horizontal Installation for 1U Models..... | 5 |
| Vertical Installation with Brackets..... | 6 |
| Vertical Installation with Brackets - OU Models..... | 7 |
| Vertical Installation with Keyhole Mounts - OU Models..... | 8 |
| Cord Retention Tray Installation..... | 9 |
| Meter Configuration..... | 9 |
| Electrical Installation..... | 10 |
| TROUBLESHOOTING..... | 10 |
| PRODUCT FEATURES - BASIC SERIES..... | 11 |
| TECHNICAL SPECIFICATIONS - BASIC SERIES..... | 11 |
| PRODUCT FEATURES - METERED SERIES..... | 13 |
| TECHNICAL SPECIFICATIONS - METERED SERIES..... | 13 |
| PRODUCT FEATURES - BASIC SERIES - OU..... | 14 |
| TECHNICAL SPECIFICATIONS - BASIC SERIES - OU..... | 15 |
| PRODUCT FEATURES - METERED SERIES - OU..... | 16 |
| TECHNICAL SPECIFICATIONS - METERED SERIES - OU..... | 17 |
| CUSTOMER SERVICE & WARRANTY..... | 18 |
| Product Registration..... | 18 |
| Limited Warranty..... | 18 |
| Need Additional Help?..... | 18 |

MODEL LIST

Basic Series

| | | |
|-------------|-------------|--------------|
| PDU15B8R | PDU20B8R | PDU20BT8R |
| PDU15B10R | PDU20B10R | PDU20BT10R |
| PDU15B12R | PDU20B12R | PDU20BT12R |
| PDU15B2F8R | PDU20B2F8R | PDU20BT2F8R |
| PDU15B2F10R | PDU20B2F10R | PDU20BT2F10R |
| PDU15B2F12R | PDU20B2F12R | PDU20BT2F12R |
| PDU15B4F8R | PDU20B4F8R | PDU20BT4F8R |
| PDU15B4F10R | PDU20B4F10R | PDU20BT4F10R |
| PDU15B4F12R | PDU20B4F12R | PDU20BT4F12R |
| PDU15B6F8R | PDU20B6F8R | PDU20BT6F8R |
| PDU15B6F10R | PDU20B6F10R | PDU20BT6F10R |
| PDU15B6F12R | PDU20B6F12R | PDU20BT6F12R |

Metered Series

| | | |
|-------------|-------------|--------------|
| PDU15M2F8R | PDU20M2F8R | PDU20MT2F8R |
| PDU15M2F10R | PDU20M2F10R | PDU20MT2F10R |
| PDU15M2F12R | PDU20M2F12R | PDU20MT2F12R |

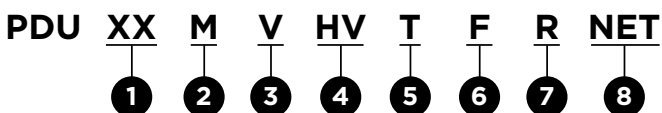
Basic Series 0U

| | | |
|------------|------------|-------------|
| PDU15BV14F | PDU20BV14F | PDU20BVT14F |
| PDU15BV16F | PDU20BV16F | PDU20BVT16F |
| PDU15BV20F | PDU20BV20F | PDU20BVT20F |
| PDU15BV28F | PDU20BV28F | PDU20BVT28F |
| PDU15BV32F | PDU20BV32F | PDU20BVT32F |

Metered Series 0U

| | | |
|------------|------------|-------------|
| PDU15MV20F | PDU20MV20F | PDU20MVT20F |
| PDU15MV26F | PDU20MV26F | PDU20MVT26F |
| PDU15MV32F | PDU20MV32F | PDU20MVT32F |

PDU NAMING CONVENTION



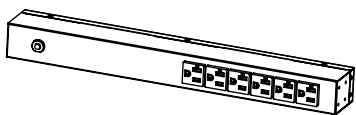
| | | |
|---|-----------------------|--|
| 1 | Amperage | 15 A / 20 A / 30 A |
| 2 | Series | B - Basic M - Metered SW - Switched |
| 3 | Rack Space | NULL - Horizontal V - Vertical |
| 4 | Input Voltage | NULL - 120V HV - High Voltage (208V to 250V) |
| 5 | Plug Type | NULL - NEMA 5-15P / 5-20P T - Twist NEMA L5-L6 IEC - IEC C14/C20 |
| 6 | Outlet Number - Front | Number of Outlets followed by F Example 8F |
| 7 | Outlet Number - Rear | Number of Outlets followed by R Example 8R |
| 8 | Network Management | NET |

SAFETY PRECAUTIONS

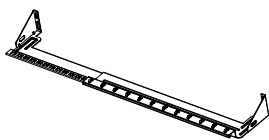
Read the following before installing or operating the Power Distribution Unit (PDU):

1. **CAUTION!** Use ONLY the supplied hardware (including screws, pegs and cord retainer clips) to attach the mounting brackets. Using different hardware or improper installations may cause damage that is NOT covered by this warranty.
2. The PDU must only be plugged into a three-wire, grounded outlet on a circuit protected by a fuse or circuit breaker. Connection to any other type of power outlet may result in a shock hazard.
3. Do not use extension cords or adapters with this PDU.
4. Never install a PDU, or associated wiring or equipment, during a lightning storm.
5. Check that the power cord, plug, and socket are in good condition.
6. **CAUTION!** To prevent the risk of fire or electric shock, this PDU should be installed in a temperature and humidity controlled indoor area free of conductive contaminants. Do not install this PDU where excessive moisture or heat is present.

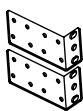
PACKAGE CONTENTS



1



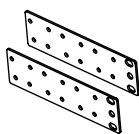
2



3



4



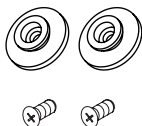
5



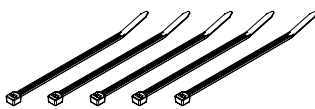
6



7



8



9



10

1. PDU
2. Cord Retention Tray
3. Mounting Brackets: horizontal - 1 set
4. Mounting Brackets: vertical - 1 set
5. Mounting Brackets: vertical - 1 set (OU models only)
6. Bracket Mounting Screws M4 x 6 (4 pcs)
7. Cord Retention Tray Mounting Screws M3 x 6 (4/8/12/16 pcs - varies by model)
8. Keyhold Mounting Pegs (2 pcs)
Screws M4 x 6 (2 pcs)
(OU models only)
9. Cable Ties
(12/15/21/24/30/36/45/48/57 pcs - varies by model)
10. Ground Screw M4 x 6 (1 pc)
11. User's Manual
12. Product Registration Card



CHECK!

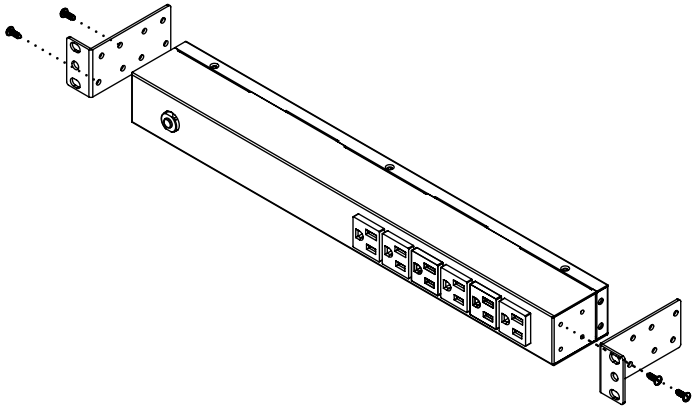
Before using, please check to ensure the package contains all the items shown above. If there are missing parts please contact CyberPower technical support at www.cyberpower.com or call 1-877-297-6937.

INSTALLATION

Horizontal Installation for 1U Models

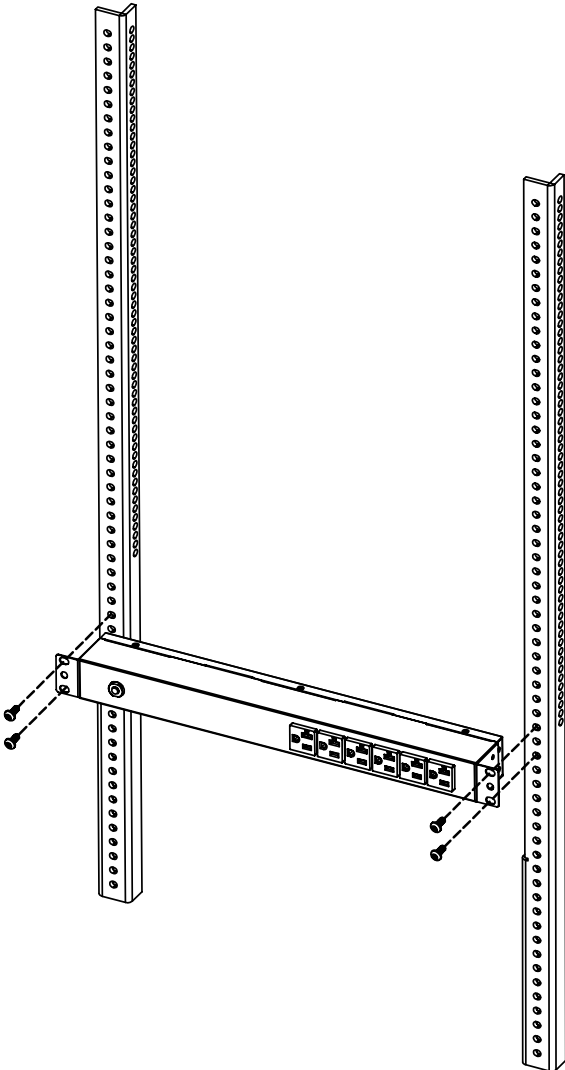
Step 1 - Mounting bracket installation

Install the screws (M4 X 6) in holes diagonal from each other.



Step 2 - PDU Mounting

Install the PDU using fasteners compatible with the rack.

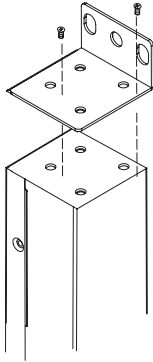


INSTALLATION

Vertical Installation with Brackets

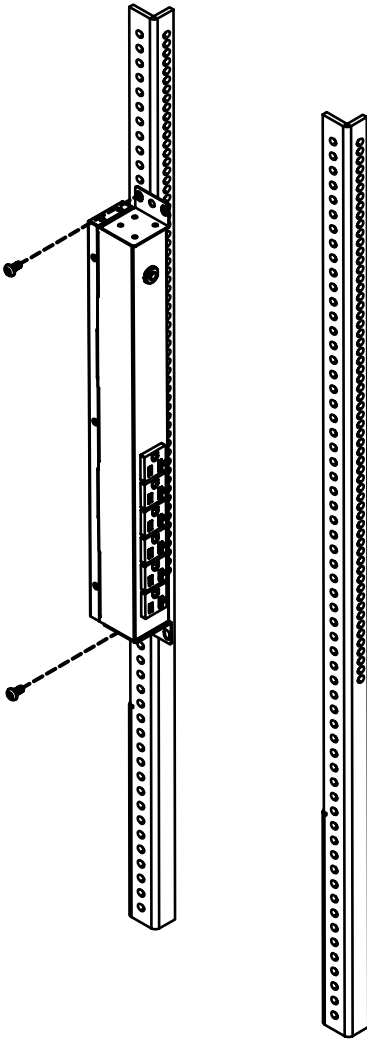
Step 1 - Mounting bracket installation

Install the screws (M4 X 6) in holes diagonal from each other.



Step 2 - PDU Mounting

Install the PDU using fasteners compatible with the rack.

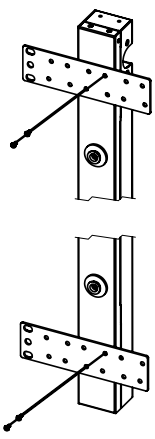


INSTALLATION

Vertical Installation with Brackets - OU Models

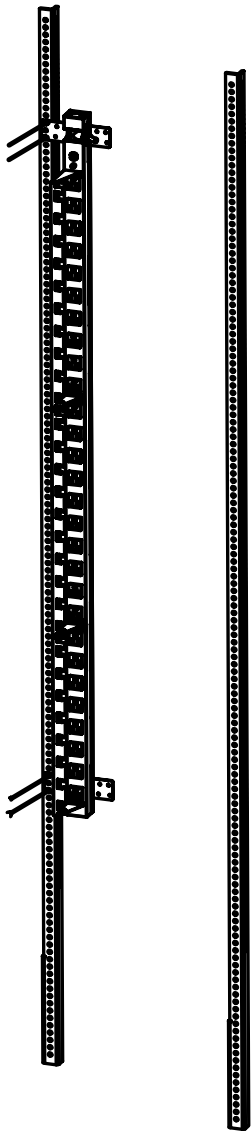
Step 1 - Mounting bracket installation

Attach the Vertical Mounting Brackets to the PDU with the four supplied Bracket Mounting Screws (M4 X 6).



Step 2 - PDU Mounting

Install the PDU using fasteners compatible with the rack.

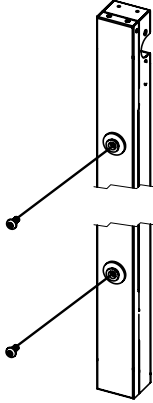


INSTALLATION

Vertical Installation with Keyhole Mounts - OU Models

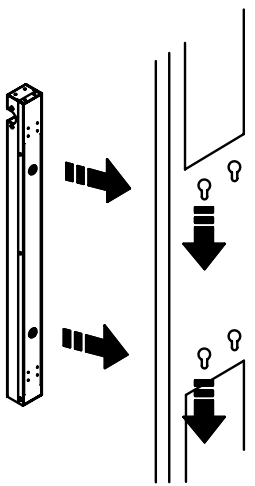
Step 1 - Keyhole Mount installation

Attach the Keyhole Mounting Pegs to the PDU with the two supplied Bracket Mounting Screws (M4 X 6).



Step 2 - PDU Mounting

Align the the Keyhole Mounts to the Keyhole Slots on the rack. Insert and slide down to lock firmly into place.

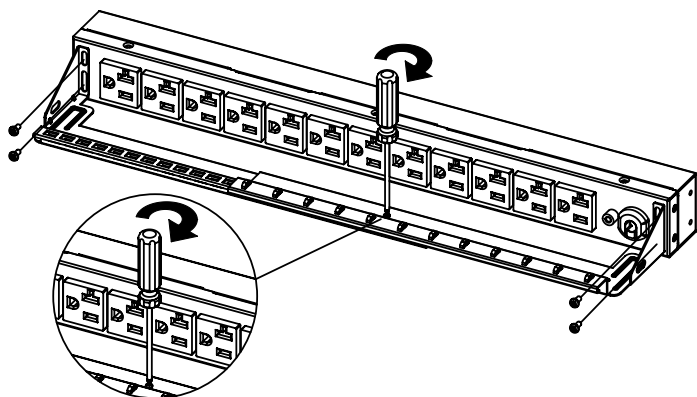


INSTALLATION

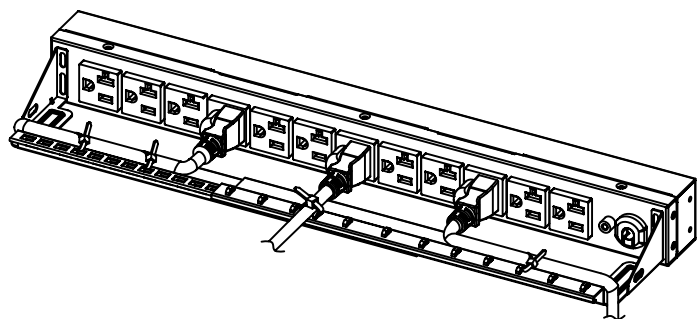
Cord Retention Tray Installation

(Optional for both horizontal and vertical installations)

Attach the Cord Retention Tray to the PDU with the four supplied Cord Retention Tray Mounting Screws (M3 X 6). Tighten the Cord Retention Tray with the screw on it.

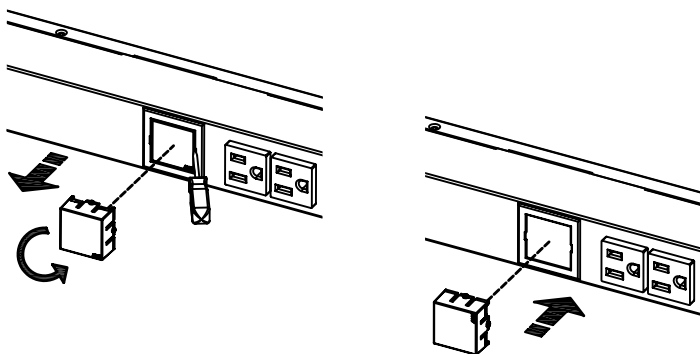


Use the Cable Ties provided to fasten each power cord to the Cord Retention Tray.



Meter Configuration

Use a screwdriver to gently remove the LED Meter. Rotate the LED Meter 90 degrees, and insert back into the PDU.



CHECK!

Depending on installation method (vertical or horizontal), the LED Meter may need to be rotated, before installation, for proper orientation.

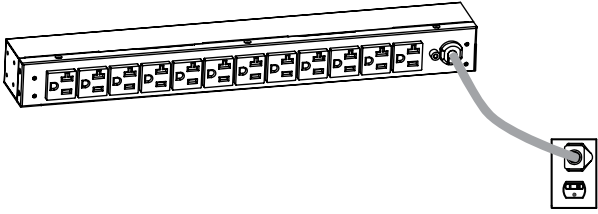
INSTALLATION

Electrical Installation

Step 1 - Receptacle evaluation

Ensure that the plug type of your PDU unit (e.g. NEMA 5-15P, NEMA 5-20P, NEMA L5-30P) matches the wall receptacle type that you are using.

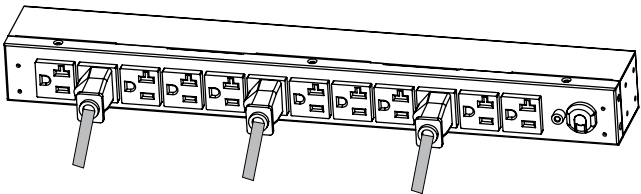
STEP 2 - Plug the PDU into the wall receptacle



| | |
|---------------------|--|
| CAUTION! | PDU must be plugged into a three-wire, grounded wall receptacle only. The wall receptacle must also be connected to an appropriate branch circuit/main with fuse or circuit breaker protection. Connection to any other type of wall receptacle may result in a shock hazard. |
|---------------------|--|

Step 3 - Attach equipment

Before attaching equipment, it is important to calculate the total load that you will be placing on the PDU. It is extremely important not to exceed the PDU's maximum current load (as outlined in the Specifications section). In order to determine your total load, simply add up the amperage of your devices and ensure that it does not exceed the unit's capacity.

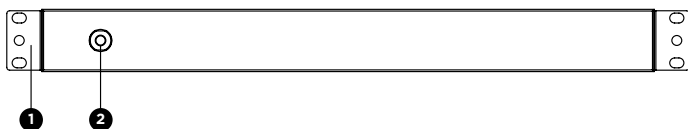


TROUBLESHOOTING

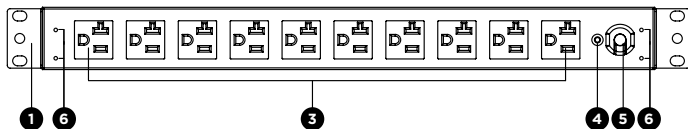
| Problem | Possible Cause | Solution |
|--|---|---|
| PDU outlets do not provide power to connected equipment | <ol style="list-style-type: none">1. Open breaker2. Loose power cord | Reset Breaker check if plug is completely connected. If the problem remains contact tech support. |
| Amperage displayed on Amperage Meter exceeds the unit's capability (Metered type only) | <ol style="list-style-type: none">1. Overload2. Amperage meter is damaged | The meter will flash when overloaded. Reduce the load on the PDU until the overload is gone. If the problem remains contact tech support. |
| Circuit breaker has tripped | <ol style="list-style-type: none">1. Sustained overload2. Excessive ambient or internal temperatures3. Faulty breaker | Reset Breaker. If the problem remains, contact technical support. |

PRODUCT FEATURES - BASIC SERIES

Front view



Rear view



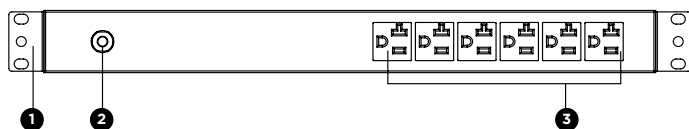
- | | |
|----------------------|------------------------------------|
| 1. Mounting Brackets | 4. External Site Ground |
| 2. Circuit Breaker | 5. AC Power Cord |
| 3. Rear Outlets | 6. Cord Retention Tray Screw Holes |

TECHNICAL SPECIFICATIONS - BASIC SERIES

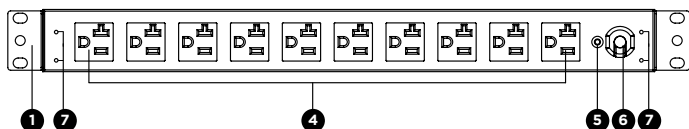
| Model Name | PDU15B8R PDU15B10R PDU15B12R | PDU20B8R PDU20B10R PDU20B12R | PDU20BT8R PDU20BT10R PDU20BT12R |
|-------------------------|--|------------------------------------|---------------------------------------|
| Input | | | |
| Voltage | 100 - 125 V | | |
| Max Current | 15 A | 20 A | |
| Circuit Breaker | 15 A | 20 A | |
| Plug Type | NEMA 5-15P | NEMA 5-20P | NEMA L5-20P |
| Power Cord Length | 15 ft / 4.6 m | | |
| Output | | | |
| Voltage | 100 - 125 V | | |
| Current | 15 A | 20 A | |
| Outlet Type | NEMA 5-15R | NEMA 5-20R | |
| Indicators | | | |
| LED Indicators | N/A | | |
| Meter Readout | N/A | | |
| Physical | | | |
| Dimensions (W x D x H) | 17.5 x 1.5 x 1.75 in. / 44.5 x 3.81 x 4.45 cm | | |
| Environmental | | | |
| Humidity | Operating 0 to 95% Non-condensing Non-Operating 0 to 95% Non-condensing | | |
| Altitude | Operating 0ft to 10,000ft Non-Operating 0ft to 50,000ft | | |
| Temperature | Operating 32°F to 95°F Non-Operating 5°F to 113°F | | |
| Safety Approvals | | | |
| Certifications | ETL (test followed UL 1363) / RoHS | | |
| Warranty | Lifetime | | |

PRODUCT FEATURES - BASIC SERIES

Front view



Rear view



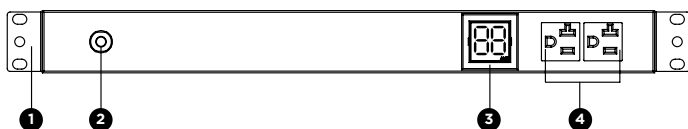
- | | |
|----------------------|------------------------------------|
| 1. Mounting Brackets | 5. External Site Ground |
| 2. Circuit Breaker | 6. AC Power Cord |
| 3. Front Outlets | 7. Cord Retention Tray Screw Holes |
| 4. Rear Outlets | |

TECHNICAL SPECIFICATIONS - BASIC SERIES

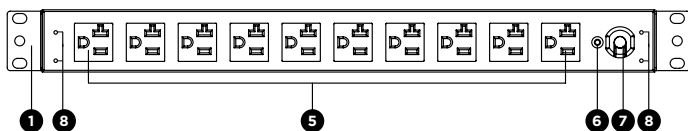
| Model Name | PDU15B2F8R PDU15B2F10R PDU15B2F12R PDU15B4F8R PDU15B4F10R PDU15B4F12R PDU15B6F8R PDU15B6F10R PDU15B6F12R | PDU20B2F8R PDU20B2F10R PDU20B2F12R PDU20B4F8R PDU20B4F10R PDU20B4F12R PDU20B6F8R PDU20B6F10R PDU20B6F12R | PDU20BT2F8R PDU20BT2F10R PDU20BT2F12R PDU20BT4F8R PDU20BT4F10R PDU20BT4F12R PDU20BT6F8R PDU20BT6F10R PDU20BT6F12R |
|-------------------------|--|--|---|
| Input | | | |
| Voltage | 100 - 125 V | | |
| Max Current | 15 A | 20 A | |
| Circuit Breaker | 15 A | 20 A | |
| Plug Type | NEMA 5-15P | NEMA 5-20P | NEMA L5-20P |
| Power Cord Length | 15 ft / 4.6 m | | |
| Output | | | |
| Voltage | 100 - 125 V | | |
| Current | 15 A | 20 A | |
| Outlet Type | NEMA 5-15R | NEMA 5-20R | |
| Indicators | | | |
| LED Indicators | N/A | | |
| Meter Readout | N/A | | |
| Physical | | | |
| Dimensions (W x D x H) | 17.5 x 2.25 x 1.75 in. / 44.5 x 5.72 x 4.45 cm | | |
| Environmental | | | |
| Humidity | Operating 0 to 95% Non-condensing Non-Operating 0 to 95% Non-condensing | | |
| Altitude | Operating 0ft to 10,000ft Non-Operating 0ft to 50,000ft | | |
| Temperature | Operating 32°F to 95°F Non-Operating 5°F to 113°F | | |
| Safety Approvals | | | |
| Certifications | ETL (test followed UL 1363) / RoHS | | |
| Warranty | Lifetime | | |

PRODUCT FEATURES - METERED SERIES

Front view



Rear view



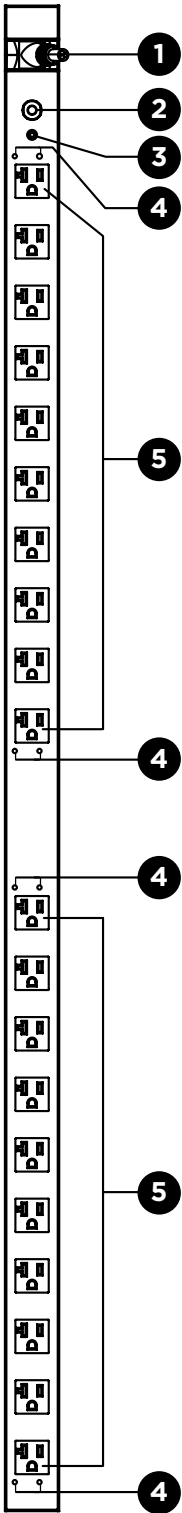
- | | |
|----------------------|------------------------------------|
| 1. Mounting Brackets | 6. External Site Ground |
| 2. Circuit Breaker | 7. AC Power Cord |
| 3. LED Meter Readout | 8. Cord Retention Tray Screw Holes |
| 4. Front Outlets | |
| 5. Rear Outlets | |

TECHNICAL SPECIFICATIONS - METERED SERIES

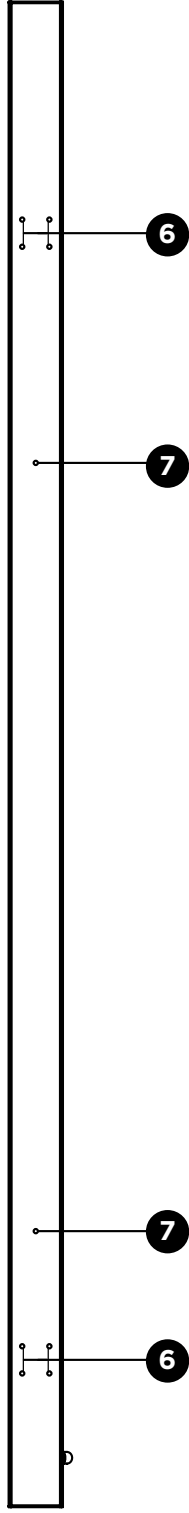
| Model Name | PDU15M2F8R PDU15M2F10R PDU15M2F12R | PDU20M2F8R PDU20M2F10R PDU20M2F12R | PDU20MT2F8R PDU20MT2F10R PDU20MT2F12R |
|-------------------------------|--|--|---|
| Input | | | |
| Voltage | 100 - 125 V | | |
| Max Current | 15 A | 20 A | |
| Circuit Breaker | 15 A | 20 A | |
| Plug Type | NEMA 5-15P | NEMA 5-20P | NEMA L5-20P |
| Power Cord Length | 15 ft / 4.6 m | | |
| Output | | | |
| Voltage | 100 - 125 V | | |
| Current | 15 A | 20 A | |
| Outlet Type | NEMA 5-15R | NEMA 5-20R | |
| Filters and Protection | | | |
| EMI/RFI Filtration | N/A | | |
| Surge Suppression | N/A | | |
| Indicators | | | |
| LED Indicators | N/A | | |
| Meter Readout | N/A | | |
| Physical | | | |
| Dimensions (W x D x H) | 17.5 x 2.25 x 1.75 in. / 44.5 x 5.72 x 4.45 cm | | |
| Environmental | | | |
| Humidity | Operating 0 to 95% Non-condensing Non-Operating 0 to 95% Non-condensing | | |
| Altitude | Operating 0ft to 10,000ft Non-Operating 0ft to 50,000ft | | |
| Temperature | Operating 32°F to 95°F Non-Operating 5°F to 113°F | | |
| Safety Approvals | | | |
| Certifications | ETL (test followed UL 1363) / RoHS | | |
| Warranty | Lifetime | | |

PRODUCT FEATURES - BASIC SERIES - OU

Front View



Rear View



- 1. AC Power Cord
- 2. Circuit Breaker
- 3. External Site Ground
- 4. Cord Retention Tray Screw Holes

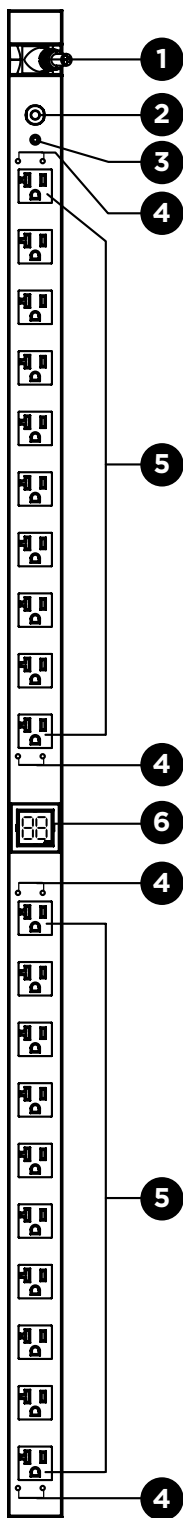
- 5. Front Outlets
- 6. Bracket Screw Holes
- 7. Keyhole Mount Peg Screw Holes

TECHNICAL SPECIFICATIONS - BASIC SERIES - 0U

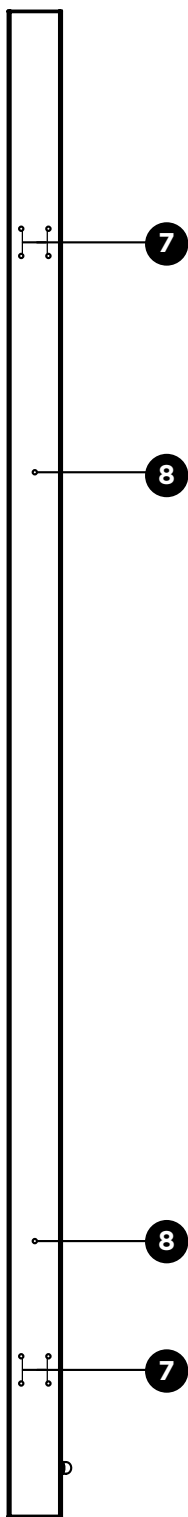
| Model Name | PDU15BV14F PDU15BV16F PDU15BV20F PDU15BV28F PDU15BV32F | PDU20BV14F PDU20BV16F PDU20BV20F PDU20BV28F PDU20BV32F | PDU20BVT14F PDU20BVT16F PDU20BVT20F PDU20BVT28F PDU20BVT32F |
|-------------------------|--|--|---|
| Input | | | |
| Voltage | 100 - 125 V | | |
| Max Current | 15 A | 20 A | |
| Circuit Breaker | 15 A | 20 A | |
| Plug Type | NEMA 5-15P | NEMA 5-20P | NEMA L5-20P |
| Power Cord Length | 15 ft / 4.6 m | | |
| Output | | | |
| Voltage | 100 - 125 V | | |
| Current | 15 A | 20 A | |
| Outlet Type | NEMA 5-15R | NEMA 5-20R | |
| Indicators | | | |
| LED Indicators | N/A | | |
| Meter Readout | N/A | | |
| Physical | | | |
| Dimensions (W x D x H) | 1.75 x 2.25 x 24 in. / 4.45 x 5.72 x 60.96 cm 1.75 x 2.25 x 36 in. / 4.45 x 5.72 x 91.44 cm 1.75 x 2.25 x 48 in. / 4.45 x 5.72 x 121.92 cm 1.75 x 2.25 x 60 in. / 4.45 x 5.72 x 152.40 cm 1.75 x 2.25 x 70 in. / 4.45 x 5.72 x 177.80 cm | | |
| Environmental | | | |
| Humidity | Operating 0 to 95% Non-condensing Non-Operating 0 to 95% Non-condensing | | |
| Altitude | Operating 0ft to 10,000ft Non-Operating 0ft to 50,000ft | | |
| Temperature | Operating 32°F to 95°F Non-Operating 5°F to 113°F | | |
| Safety Approvals | | | |
| Certifications | ETL (test followed UL 1363) / RoHS | | |
| Warranty | Lifetime | | |

PRODUCT FEATURES - METERED SERIES - OU

Front View



Rear View



- 1. AC Power Cord
- 2. Circuit Breaker
- 3. External Site Ground
- 4. Cord Retention Tray Screw Holes

- 5. Front Outlets
- 6. LED Meter Readout
- 7. Bracket Screw Holes
- 8. Keyhole Mount Peg Screw Holes

TECHNICAL SPECIFICATIONS - METERED SERIES - OU

| Model Name | PDU15MV20F PDU15MV26F PDU15MV32F | PDU20MV20F PDU20MV26F PDU20MV32F | PDU20MTV20F PDU20MTV26F PDU20MTV32F |
|-------------------------|--|--|---|
| Input | | | |
| Voltage | 100 - 125 V | | |
| Max Current | 15 A | 20 A | |
| Circuit Breaker | 15 A | 20 A | |
| Plug Type | NEMA 5-15P | NEMA 5-20P | NEMA L5-20P |
| Power Cord Length | 15 ft / 4.6 m | | |
| Output | | | |
| Voltage | 100 - 125 V | | |
| Current | 15 A | 20 A | |
| Outlet Type | NEMA 5-15R | NEMA 5-20R | |
| Indicators | | | |
| LED Indicators | N/A | | |
| Meter Readout | Amperage | | |
| Physical | | | |
| Dimensions (W x D x H) | 1.75 x 2.25 x 48 in. / 4.45 x 5.72 x 121.92 cm 1.75 x 2.25 x 60 in. / 4.45 x 5.72 x 152.40 cm 1.75 x 2.25 x 70 in. / 4.45 x 5.72 x 177.80 cm | | |
| Environmental | | | |
| Humidity | Operating 0 to 95% Non-condensing Non-Operating 0 to 95% Non-condensing | | |
| Altitude | Operating 0ft to 10,000ft Non-Operating 0ft to 50,000ft | | |
| Temperature | Operating 32°F to 95°F Non-Operating 5°F to 113°F | | |
| Safety Approvals | | | |
| Certifications | ETL (test followed UL 1363) / RoHS | | |
| Warranty | Lifetime | | |

CUSTOMER SERVICE & WARRANTY

Product Registration

Thank you for purchasing a CyberPower product. Prompt product registration entitles coverage under the Limited Warranty and Connected Equipment Guarantee, and also allows the opportunity to be notified of product enhancements, upgrades, and other announcements.

Registration is quick and easy at www.cyberpower.com under "Support".

Limited Warranty

Please visit www.CyberPowerSystems.com for a copy of the Limited Warranty.

Need Additional Help?

Feel free to contact our Tech Support department with installation, troubleshooting, or general product questions.

CyberPower Technical Support

www.cyberpower.com

4241 12th Ave East, Suite 400

Shakopee, MN 55379

Toll-free: (877) 297-6937

