

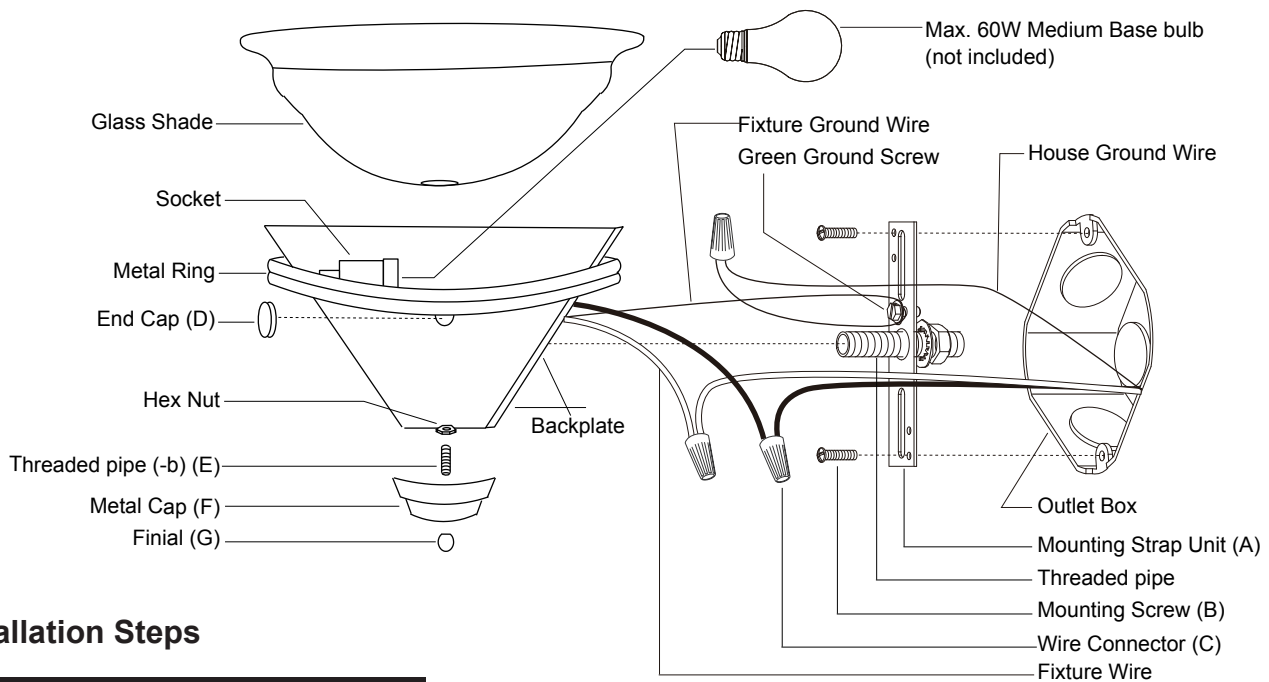
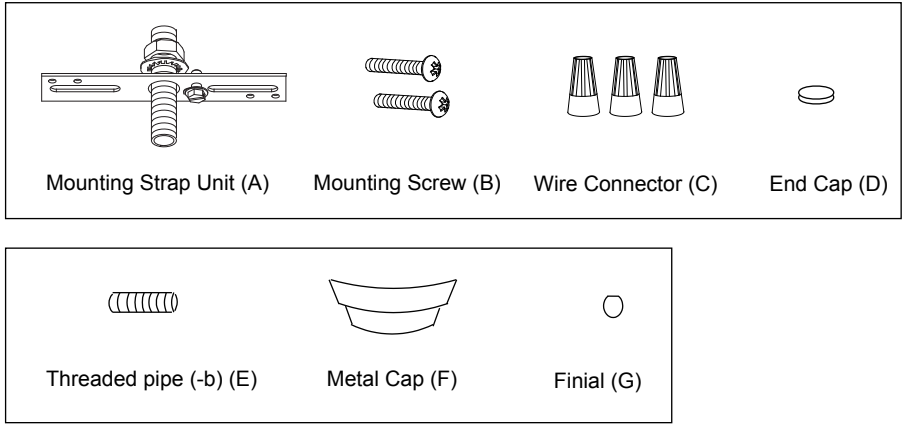
ASSEMBLY AND INSTALLATION INSTRUCTIONS

WS8171BN / WS8171OBB

WARNING: TO AVOID RISK OF ELECTRICAL SHOCK, BE SURE TO SHUT OFF POWER WHILE INSTALLING OR SERVICING THIS FIXTURE.

NOTES: 1. Before installing, consult local electrical codes for wiring and grounding requirements.
2. Read and save this instruction.

Hardware Package (included):



Installation Steps

Turn off the power at fuse or circuit box.

1. Attach the mounting strap unit (A) to the outlet box by using two mounting screws (B). Adjust the length of the preinstalled threaded pipe if necessary.
2. Pull out the source wires from the outlet box. Make wire connections using wire connectors (C) as follows:
 - Connect the hot wire (usually black insulation) from the fixture to the black wire from the power source.
 - Connect the neutral wire (usually white insulation) from the fixture to the white wire from the power source.
 - Attach the fixture grounding wire (usually green with the insulation or bare wire) to the mounting strap unit (A) with the green grounding screw. Then, depending on local code, connect it to the house grounding wire with the wire connector (C).

Carefully put all of the wires back into the outlet box.

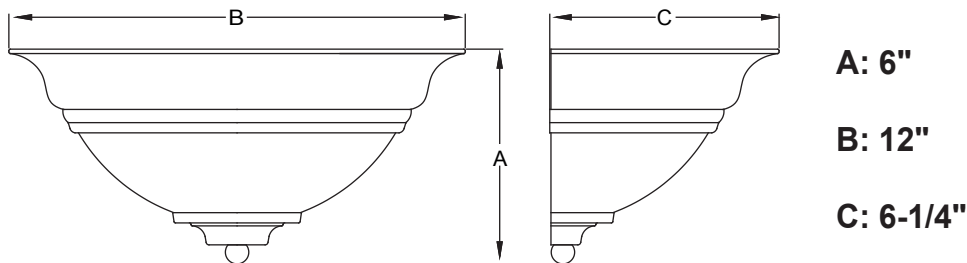
3. Attach the backplate of the fixture to the mounting strap unit (A) by inserting the threaded pipe, then secure it with the end cap (D).
4. Place the glass shade to the wall plate, which must be against the metal ring to avoid wobble.
5. Thread threaded pipe (-b) (E) into the hex nut, attach the metal cap (F) onto threaded pipe (-b) (E), then secure it with the finial (G).
6. Install 1 x 60W Max. medium base bulb (not included). Check relamping label at socket area or packaging for maximum wattage allowed.

Turn on the power at fuse or circuit box.

The following parts are available for reorder if damaged or missing.

Spare Parts List:

The diagram shows two rows of parts. The first row includes: Mounting Strap Unit (A), Mounting Screw (B), Wire Connector (C), and End Cap (D). The second row includes: Threaded pipe (-b) (E), Metal Cap (F), and Finial (G). To the right of the first row, an arrow points to the text: 'Mounting Hardware X-H8171BN (1 SET) for WS8171BN 6670MM (1 SET) for WS8171OBB'. To the right of the second row, an arrow points to the text: 'Mounting Hardware 6672MM (1 SET) for WS8171BN 6671MM (1 SET) for WS8171OBB'. Below this text is a drawing of a 'Glass Shade 22886'.



1 Year Warranty

Vaxcel warrants all of our products against defects in workmanship and finishes for one year following the date of shipment.

Exclusions: This warranty does not include the failure of products from extreme acts of nature; environmental conditions not suited for the products intended use; operation in temperatures outside of the range specified in the instruction manual; usage with improper power supply, power surges or dips. For coastal locations, some corrosion is considered normal for the environment.

Vaxcel reserves the right to repair, replace or issue a credit for any properly installed product, provided it is returned per RMA instruction. This warranty is limited to the cost of the product only and does not extend to transportation, installation or replacement costs.

How can warranty service be obtained?
 info@vaxcel.com
 1-800-482-9235