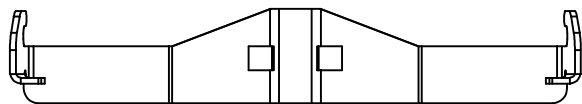
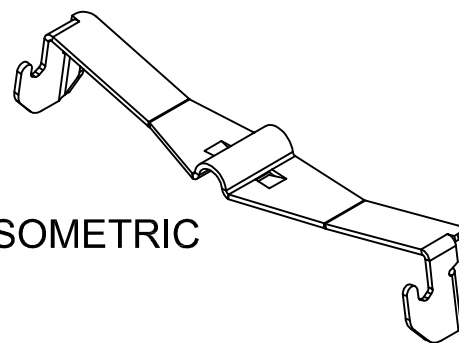


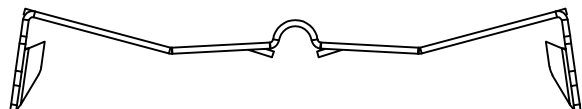
FS 41 FASTRUT CONNECTOR



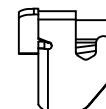
TOP



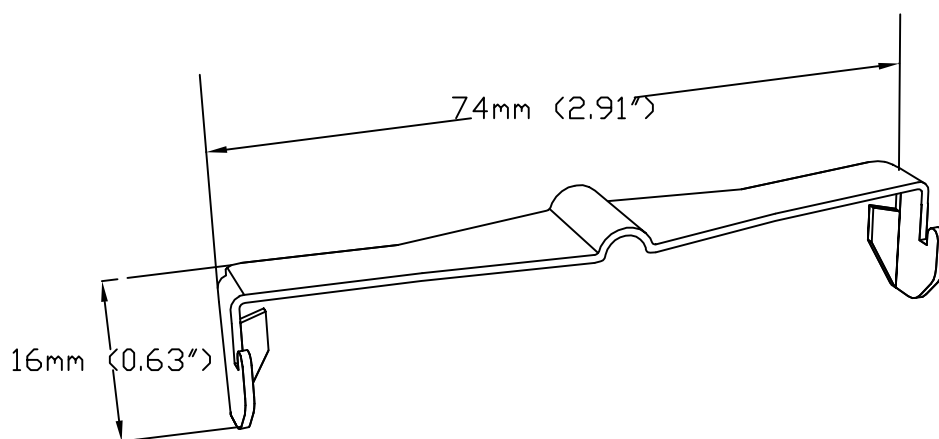
ISOMETRIC



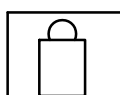
FRONT



SIDE



- Use 2 clips with 4"-12" wide tray. Use 3 clips with tray wider than 12".
- FASTRUT attaches tray to strut without bolt, nuts or tools.
- Install FASTRUT on outer wires of tray, and both sides of the strut.
- Sold in packages of 50.



lb

FS 41

0.660

DC

BL

PE

WH

316L