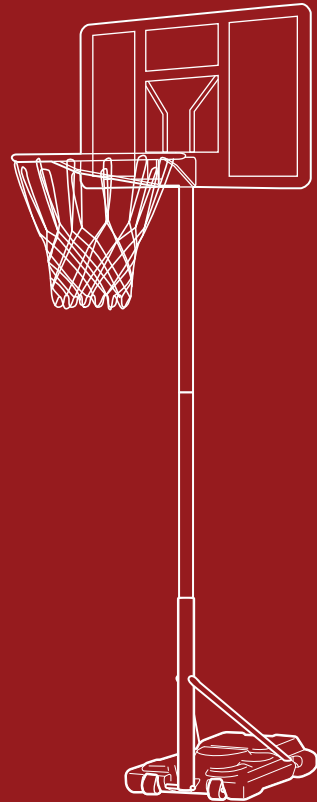




BEST CHOICE  
PRODUCTS



# INSTRUCTION MANUAL

---

Regulation Size  
Basketball Hoop



**BEST CHOICE  
PRODUCTS**

---

As shoppers, we're always trying to find the perfect balance between quality & value. At BCP, we believe we've achieved that. Our diverse catalog of everyday essentials is tailored especially to our customers & guaranteed to hit that sweet spot of high quality & low price.

— Always. —

## NOTICE

Please retain these instructions for future reference.

- Please read all instructions before attempting to install or assemble this item. Assembly should be done by adults only.
- Firmly secure all screws before use.
- Reconfirm that all bolts, screws, and knobs are secure before each use.
- Product is intended for outdoor use.
- If any parts are missing, broken, damaged, or worn, stop using this item until repairs are made and/or factory replacement parts are installed.
- Do not use this item in a way inconsistent with the manufacturer's instructions as this could void the product warranty.
- Exposure to constant sunlight may cause fading over time.
- This product is intended for residential use only.



# SAFETY INSTRUCTIONS



**FAILURE TO FOLLOW THESE SAFETY INSTRUCTIONS MAY RESULT IN SERIOUS INJURY OR PROPERTY DAMAGE AND WILL VOID WARRANTY.**

*Owner must ensure that all players know and follow these rules for safe operation of the system.*

**To ensure safety, do not attempt to assemble this system without following the instructions carefully. Check entire box and inside all packing material for parts and/or additional instruction material. Before beginning assembly, react the instructions and identify parts using the hardware identifier and parts list in this document. Proper and complete assembly, use, and supervision are essential for proper operation and to reduce the risk of accident or injury. A high probability of serious injury exists if this system is not installed, maintained, and operated properly.**

- If using a ladder during assembly, use extreme caution.
- 2 capable adults are recommended for this operation.
- Check base daily for leakage. Leaks will cause system to fall.
- Assemble the pole sections properly (if applicable). Failure to do so could cause the pole sections to separate during play or transport.
- Minimum operational height is 7.5ft (1.98m) to the bottom of the backboard.

*Most injuries are caused by misuse and/or not following instructions.  
Use caution when using this system.*

## WARNING

**FAILURE TO FOLLOW THESE WARNINGS MAY RESULT IN SERIOUS INJURY AND/OR PROPERTY DAMAGE.**

- Only hang from the rim briefly to regain balance or avoid injuring others. Release the rim as soon as safely possible.
- During play, especially when performing dunk type activities, keep players face away from the backboard, rim, and net. Serious injury could occur if teeth/face come in contact with the backboard, rim, or net.
- Do not slide, climb, or play on base or pole.
- Completely fill base according to the manufacturer's instructions or the system will tip quickly causing serious personal injury.
- When adjusting height or moving the system, keep hands and fingers away from moving parts.

## **⚠️ WARNING**

- Do not allow children to move or adjust the system.
- During play, do not wear jewelry (rings, watches, necklaces, etc.). Objects may entangle in net.
- Surface beneath the base must be smooth and free of gravel or other objects. Punctures can cause leakage and could cause the system to tip over.
- Keep water and organic material away from pole. Pole can rust and fall.
- Once a month check pole and all metal parts for rust. Completely remove rust and repaint with exterior enamel. If rust has penetrated any steel part, replace that part immediately.
- Check the system before each use for proper ballast, loose hardware, instability, and signs of corrosion and repair before each use. Never play on damaged equipment.
- Do not use the system during windy or severe weather; the system may tip over. Place the system in an area protected from the wind or in an area away from property that may be damaged if the system falls.
- When not in use, lower this item and store it away to prevent accidental tipping due to high winds.
- Do not climb on the base or structure in general, as this could result in serious injuries.
- Do not overtighten the hardware as this may damage the products structure.
- Adjustment and moving of the basketball set must be carried out by adults.
- Always check the unit to ensure the base is full of water or sand, and that all fittings and hardware are tight before each use.
- Always place the base of the system on a flat surface.
- Do not allow water to freeze in the base.
- The system requires two people for assembly.
- Check the base regularly for any leakage before playing.
- This product is intended for residential use only.

## **TOOLS REQUIRED**



**ADULT ASSEMBLY  
REQUIRED**

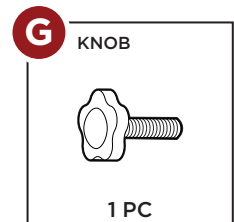
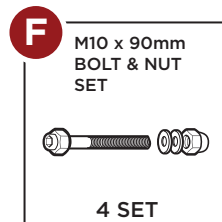
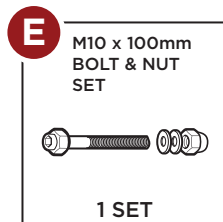
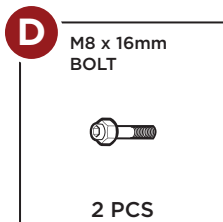
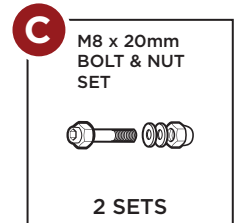
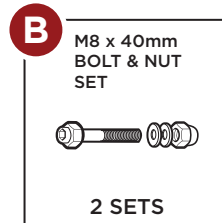
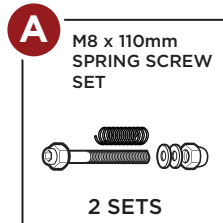
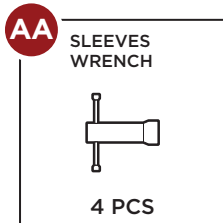


**2 PERSON  
ASSEMBLY**

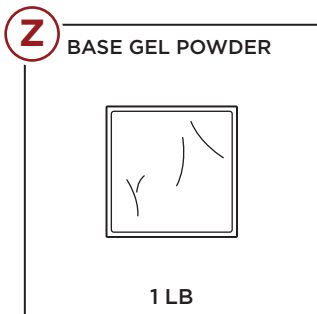
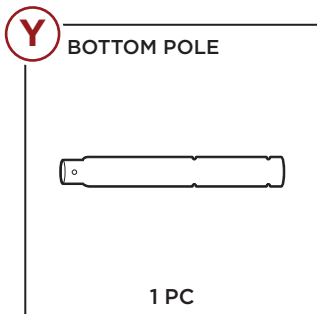
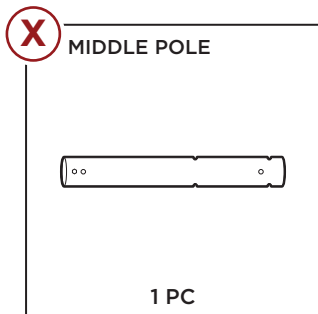
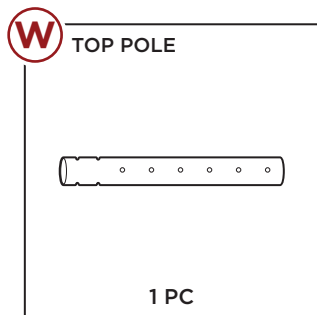
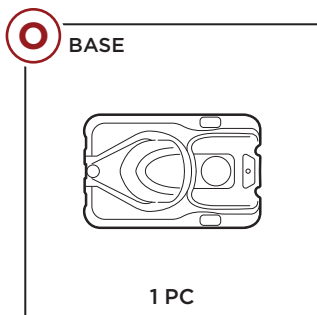
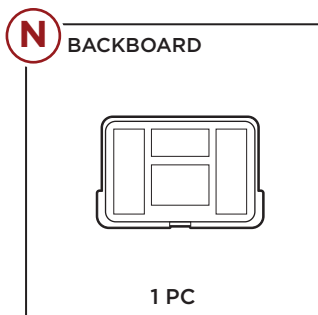
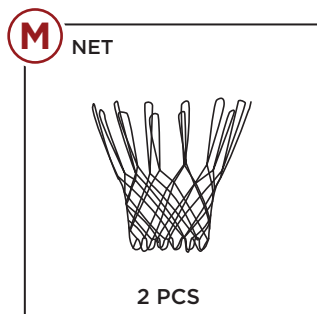
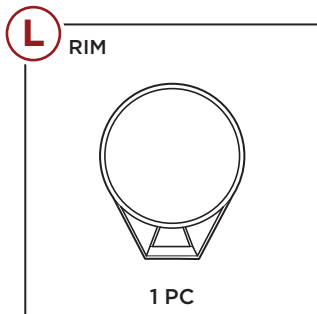
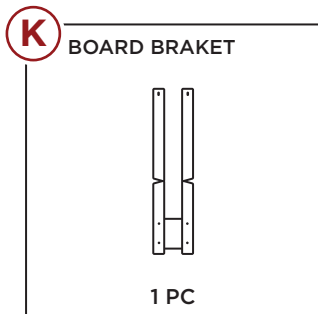
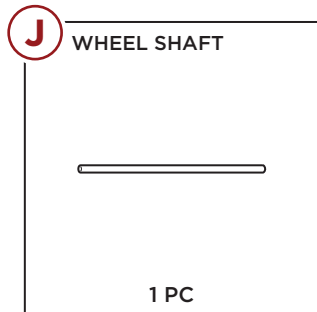
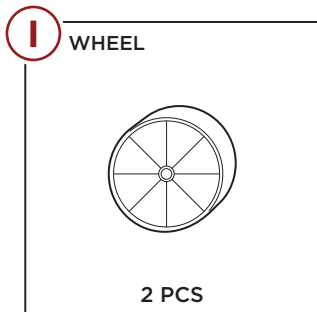
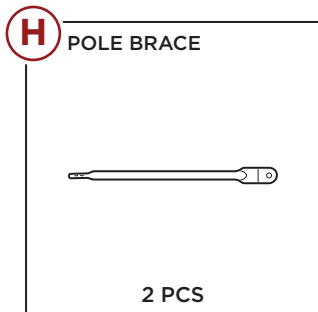


**UP TO 20 MIN.  
ASSEMBLY**

## **HARDWARE**



# PARTS

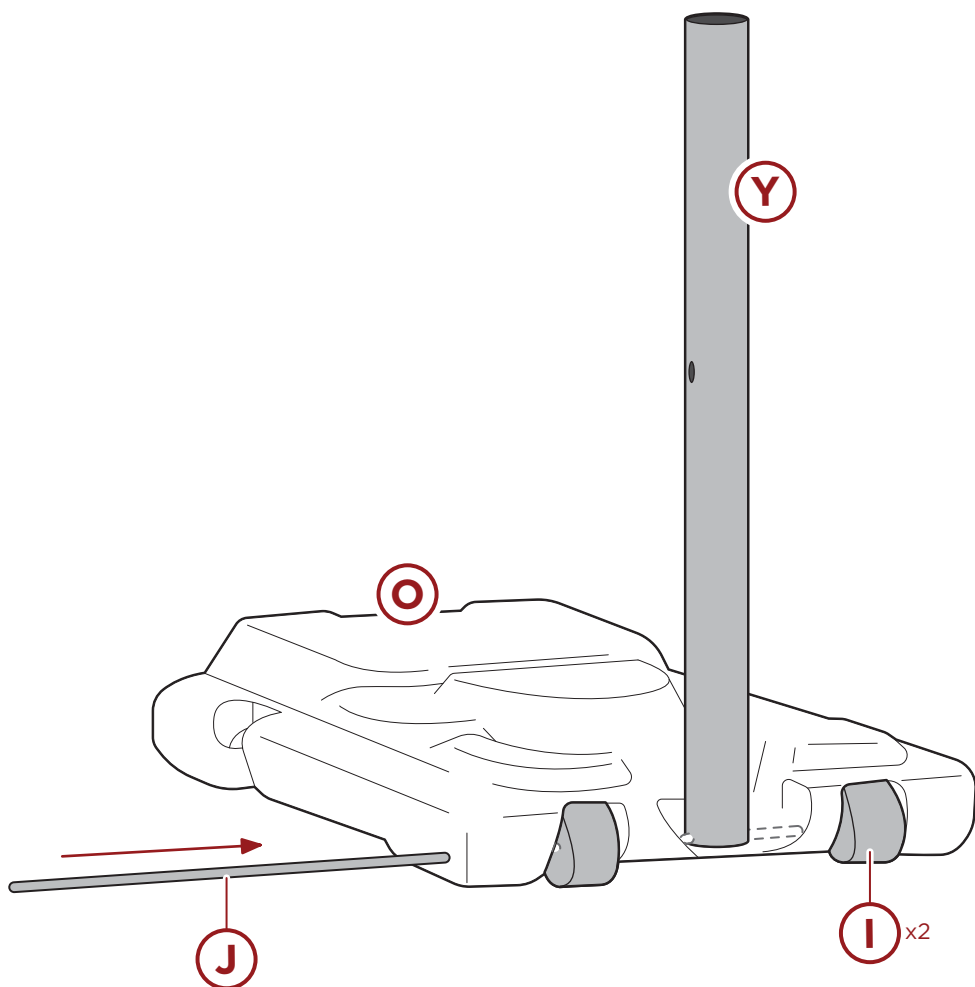


## PRODUCT ASSEMBLY

1

Locate the **part O base** and insert the **part Y bottom pole**.

Use the **part J wheel shaft** to attach two **part I wheels**. Place the wheels into the recesses on the front of the base then slide wheel shaft through the hole on the side. The shaft passes through the base, wheel, bottom pole, and then through the other wheel.

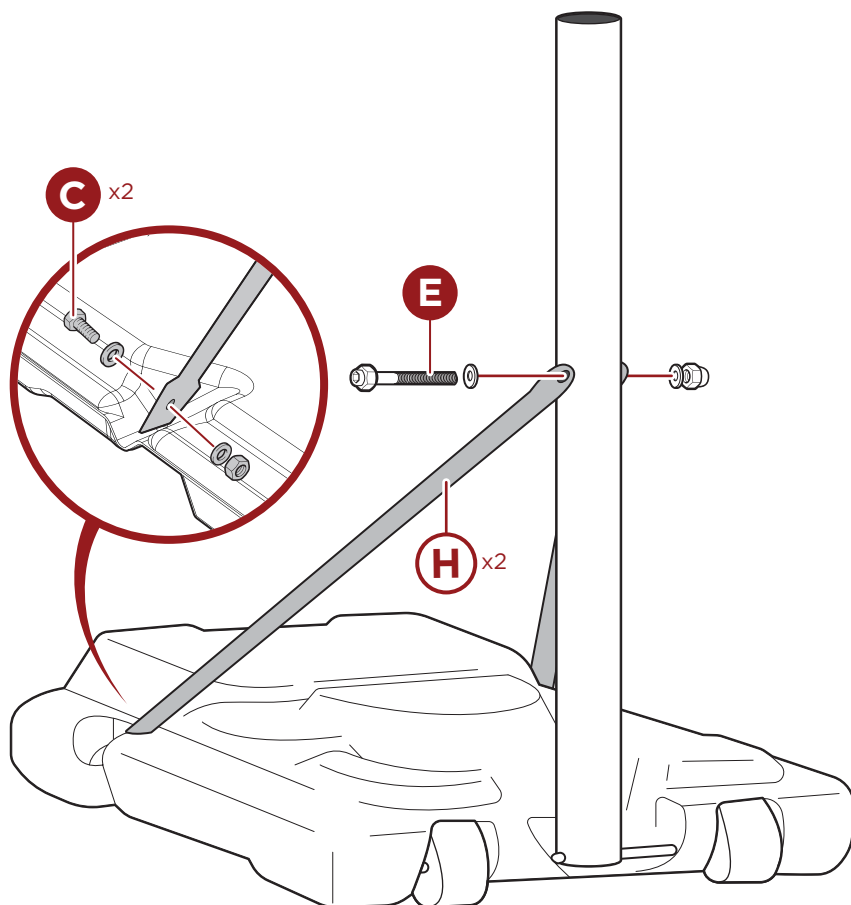


## PRODUCT ASSEMBLY

2

Attach two **part H pole braces** to the **part Y bottom pole** with one **part E bolt and nut set**.

Attach the **part H pole braces** to the **part O base** with two **part C bolt and nut sets**. Set this assembly aside, upright.



## PRODUCT ASSEMBLY

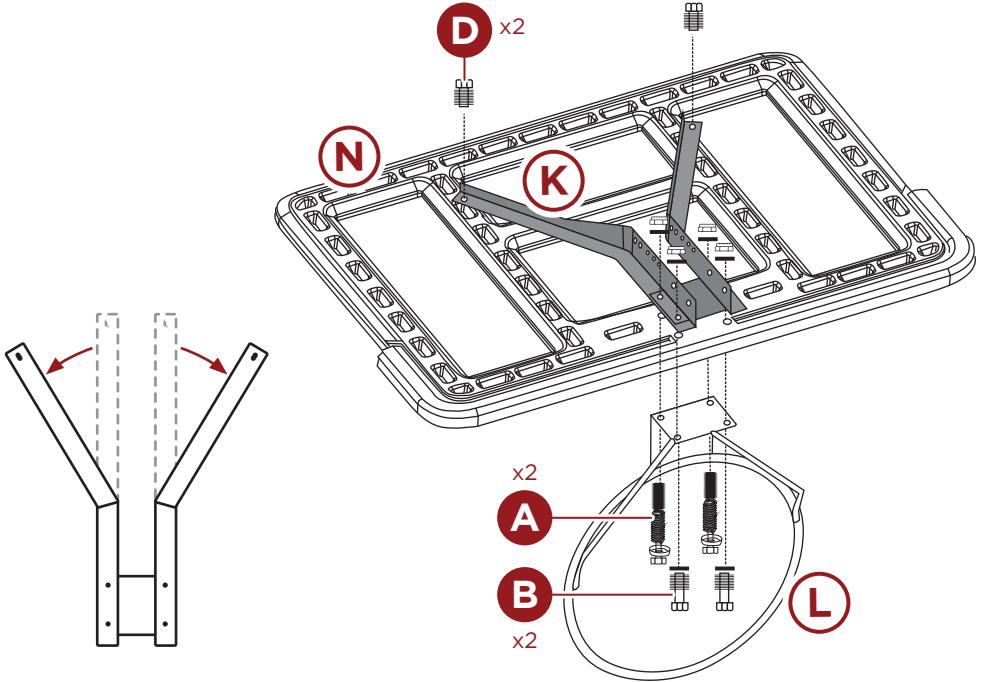
3

Locate the **part K board bracket**, then bend the two tines to form a "Y" shape.

Attach the **part K board bracket** to the back of the **part N backboard** with two **part D bolts**.

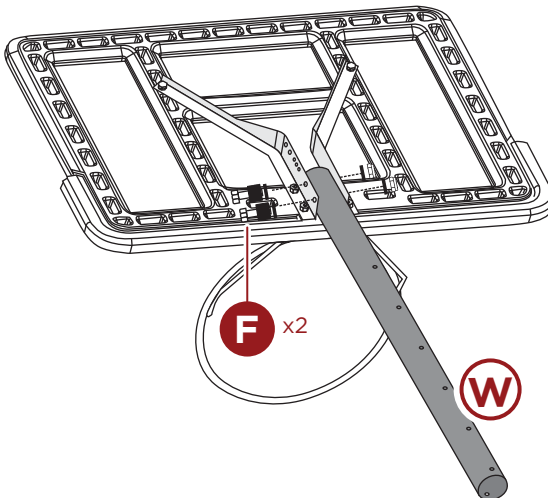
Attach the **part L rim** to the **part N backboard** with two **part A bolt and nut sets** and two **part B bolt and nut sets**.

Use the **part A bolts** in the top holes of the rim and the **part B bolts** for the bottom holes.



4

Attach the **part W top pole** to the **part K board bracket** with two **part F bolt and nut sets**.

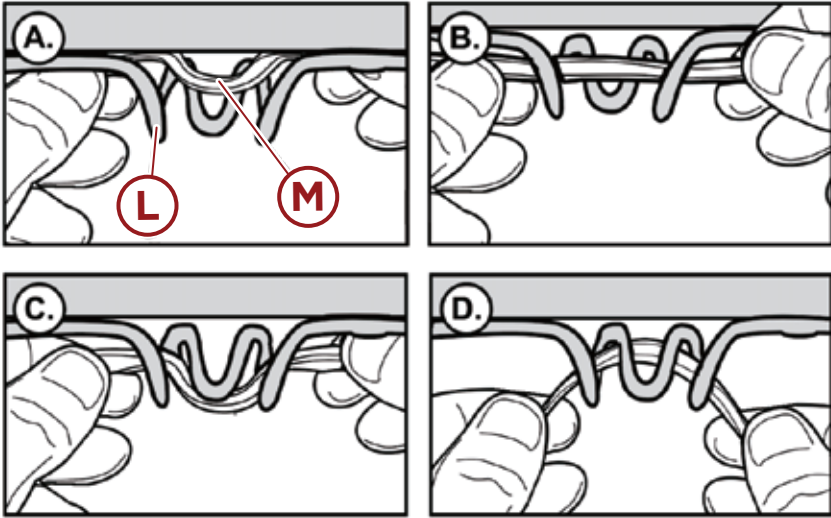




## PRODUCT ASSEMBLY

5

Attach the **part M net** to the **part L rim** as shown:

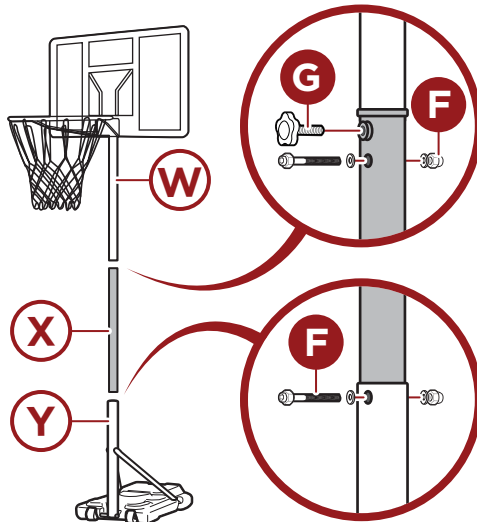


6

Insert the **part X middle pole** into the **part Y bottom pole**, then secure with one **part F bolt and nut set**.

Insert the **part W top pole** into the **part X middle pole**, then secure with one **part F bolt and nut set** and one **part G knob**.

**NOTE:** This will assemble pole at regulation height: 2.3m - 3.05m

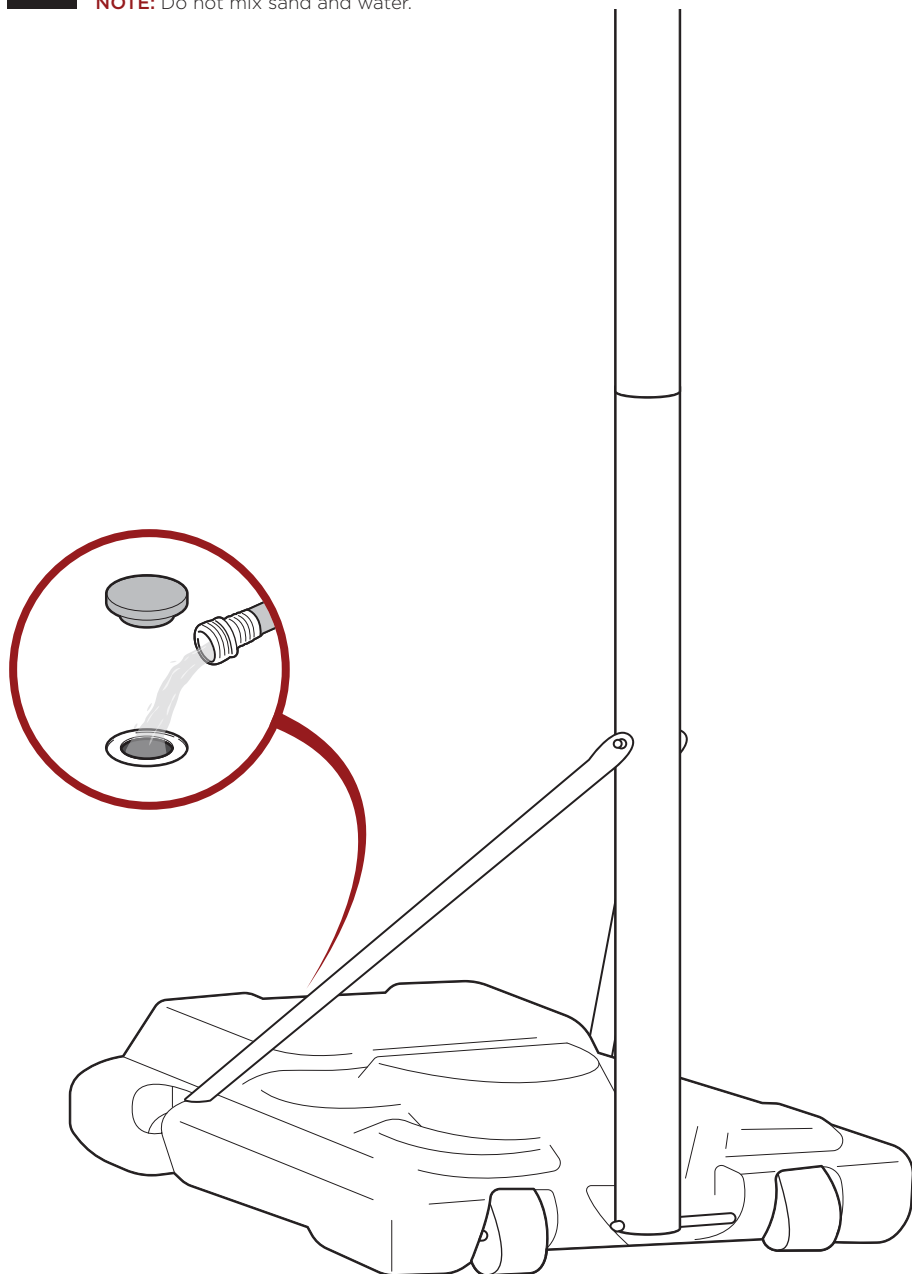


## PRODUCT ASSEMBLY

7

With a second person, carefully return the assembled product to the upright position and fill the **part O base** with your choice of sand or water.

**NOTE:** Do not mix sand and water.



## POLE CARE AND SYSTEM MAINTENANCE

- Avoid exposure to corrosives such as salt, pesticides, or herbicides.
- Excessive use or misuse may contribute to pole failure, which may result in property damage, personal injury, or death.
- Check your basketball system frequently for loose hardware, excessive wear, and signs of corrosion.
- To prolong the life of your basketball system, the following preventive measures are recommended:
  - Check all nuts and bolts. If any are loose, tighten them.
  - Check all pole sections for visible rust, chips, or cracked paint. If either are present, the following precautions are recommended:
    1. Use an emery cloth to completely remove any rust or chipped paint.
    2. Clean the area with a damp cloth and allow it to dry.
    3. Apply two coats of a rust-preventative high gloss enamel to the area. Allow the paint to dry between the application of no fewer than two coats.

## BASE GEL SPECIFICATIONS

Material	Absorbent Polymer
Stand Capacity	25 Gallons w/ 2.3 Cups Powder
Mixing Ratio	0.5 lbs. Powder: 190-200 lbs. Pure Water
	0.5 lbs. Powder: 75-100 lbs. Tap Water

## BASE GEL MIXTURE

1. Locate the **part Z base gel powder**, then measure as specified and pour into the **part O base**.
2. Add the specified amount of water into the base, shaking to immerse the powder completely.
3. Allow at least 5 to 10 minutes for the water to solidify into a gel. If necessary, allow 24 hours for the gel to fully active.  
**NOTE:** Different liquids/water purity levels have different absorption rates. Allow appropriate time for the product to solidify.
4. Repeat steps 1-3 if the base is not completely filled. The product is ready for use once the gel has solidified.

## REVERSING GEL MIXTURE

1. In a disposable vessel, mix 8 tablespoons of common table salt with 1 gallon of water. Mix thoroughly then add to the base.
2. Allow at least 5 minutes for the gel to liquify.
3. Safely dispose of the remaining liquid in the base down a storm drain.
4. Thoroughly flush the portable base with water before refilling it with gel.



# HELP CENTER



Question about your product? We're here to help. Visit us at:

[help.bestchoiceproducts.com](http://help.bestchoiceproducts.com)



Chat Support



Product Inquiry



Orders FAQ



Product Assembly



Returns & Refunds

## PRODUCT WARRANTY INFORMATION

All items can be returned for any reason within 60 days of the receipt and will receive a full refund as long as the item is returned in its original product packaging and all accessories from its original shipment are included. All returned items will receive a full refund back to the original payment method. All returned items will not be charged a re-stocking fee.

All returned items require an RA (Return Authorization) number, which can only be provided by a Best Choice Products Customer Service Representative when the return request is submitted. Items received without an RA may not be accepted or may increase your return processing time. Once an item has been received by Best Choice Products, refunds or replacements will be processed within 5 business days.

All returns must be shipped back to the Best Choice Products Return Center at the customer's expense. If the reason for return is a result of an error by Best Choice Products then Best Choice Products will provide a pre-paid shipping label via email. Boxes for return shipping will not be provided by Best Choice Products, and is the customer's responsibility to either use the original shipping boxes or purchase new boxes.

Pictures may be required for some returns to ensure an item is not damaged prior to its return. Items returned are not considered undamaged until they are received by Best Choice Products and verified as such. All damages to items are the customer's responsibility until the item has been received by and acknowledged by Best Choice Products as undamaged.

© Best Choice Products, Inc. All rights reserved. Distributed by Best Choice Products, Inc. Tustin, CA 92780

## WARNING

Manufacturer and seller expressly disclaim any and all liability for personal injury, property damage or loss, whether direct, indirect, or incidental, resulting from the incorrect attachment, improper use, inadequate maintenance, unapproved modification, or neglect of this product.