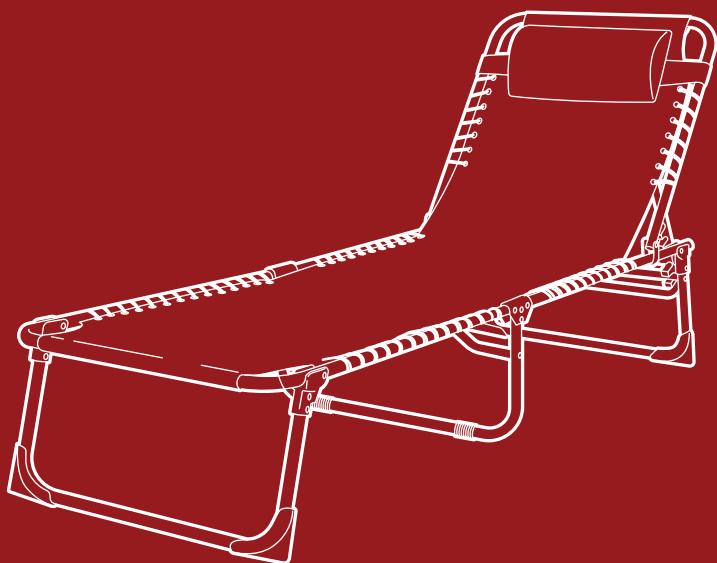




BEST CHOICE
PRODUCTS



INSTRUCTION MANUAL

Portable Lounge Chair

SKY6219 + SKY6220 + SKY6221 + SKY6828 + SKY6829 + SKY6830
SKY6831 + SKY6832 + SKY6834 + SKY6835 + SKY7978 + SKY7979
SKY7980 + SKY7981 + SKY7982 + SKY7983 + SKY7984 + SKY7985
SKY7986 + SKY7987 + SKY7988 + SKY7989 + SKY7990 + SKY8093

! NOTICE

- Please do not exceed the weight limitations of this item.
- Do not stand on or use any part of this item as a step ladder.
- Do not use or store this item in the proximity of open flame or flammable/combustible chemicals.
- If any parts are missing, broken, damaged, or worn, stop using this product until repairs are made and/or factory replacement parts are installed.
- Do not use this item in a way inconsistent with the manufacturer's instructions as this could void the product warranty.
- This product is intended for residential use only.



300 LBS
CAPACITY



1 PERSON
SETUP



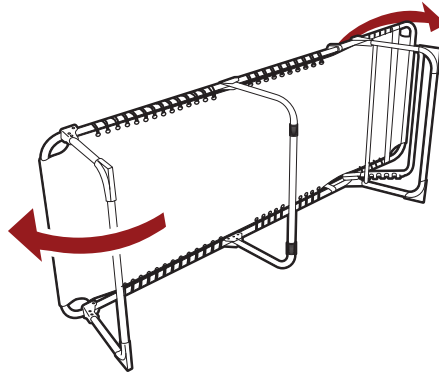
UP TO 5 MIN.
SETUP

PRODUCT SETUP

Please retain these instructions for future reference.

1

Pull the chair open to spread the leg supports.

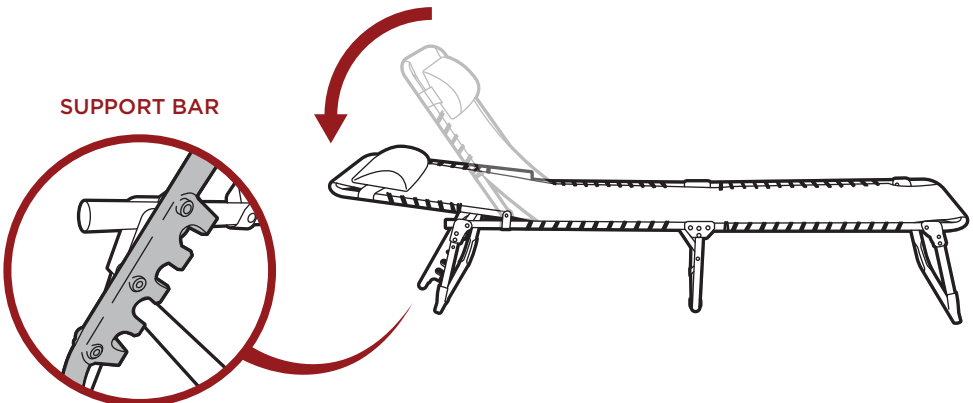


2

Push the backrest forward and locate the support bar, guide the bar into one of the locking grooves to set your desired position.

Guide the support bar past the locking grooves to flatten the chair completely.

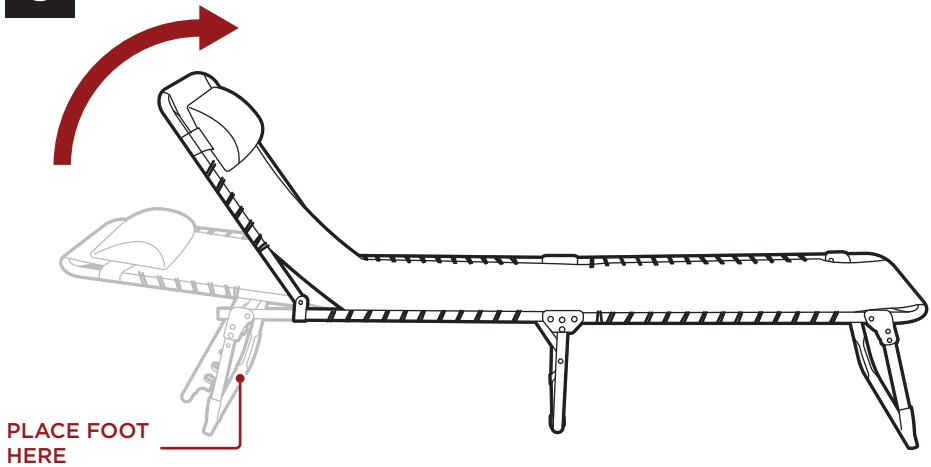
SUPPORT BAR



PRODUCT SETUP

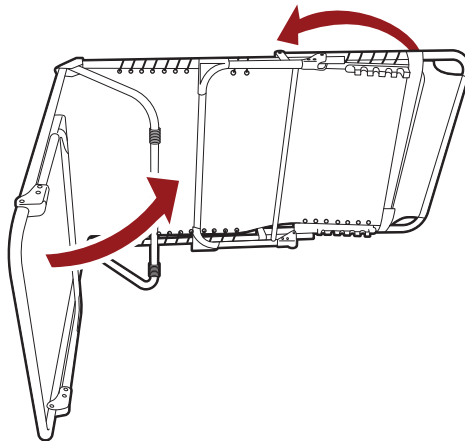
3

To return to an upright position, place a foot on the back leg support and push backrest upright.



PRODUCT BREAKDOWN & STORAGE

To fold the chair, pull the backrest forward then locate the support bar. Pull the bar upward and lay the backrest completely on the seat. Push the lower section of the seat back and use the built-in fabric straps for easy transport.



CALIFORNIA PROPOSITION 65

⚠ WARNING: This product can expose you to chemicals including Lead and lead compounds, which is known to the State of California to cause cancer and birth defects or other reproductive harm. For more information go to www.P65Warnings.ca.gov



HELP CENTER



Question about your product? We're here to help. Visit us at:

help.bestchoiceproducts.com



Chat Support



Product Inquiry



Orders FAQ



Product Assembly



Returns & Refunds

PRODUCT WARRANTY INFORMATION

All items can be returned for any reason within 60 days of the receipt and will receive a full refund as long as the item is returned in its original product packaging and all accessories from its original shipment are included. All returned items will receive a full refund back to the original payment method. All returned items will not be charged a re-stocking fee.

All returned items require an RA (Return Authorization) number, which can only be provided by a Best Choice Products Customer Service Representative when the return request is submitted. Items received without an RA may not be accepted or may increase your return processing time. Once an item has been received by Best Choice Products, refunds or replacements will be processed within 5 business days.

All returns must be shipped back to the Best Choice Products Return Center at the customer's expense. If the reason for return is a result of an error by Best Choice Products then Best Choice Products will provide a pre-paid shipping label via email. Boxes for return shipping will not be provided by Best Choice Products, and is the customer's responsibility to either use the original shipping boxes or purchase new boxes.

Pictures may be required for some returns to ensure an item is not damaged prior to its return. Items returned are not considered undamaged until they are received by Best Choice Products and verified as such. All damages to items are the customer's responsibility until the item has been received by and acknowledged by Best Choice Products as undamaged.

© Best Choice Products, Inc. All rights reserved. Distributed by Best Choice Products, Inc. Tustin, CA 92780

WARNING

Manufacturer and seller expressly disclaim any and all liability for personal injury, property damage or loss, whether direct, indirect, or incidental, resulting from the incorrect attachment, improper use, inadequate maintenance, unapproved modification, or neglect of this product.