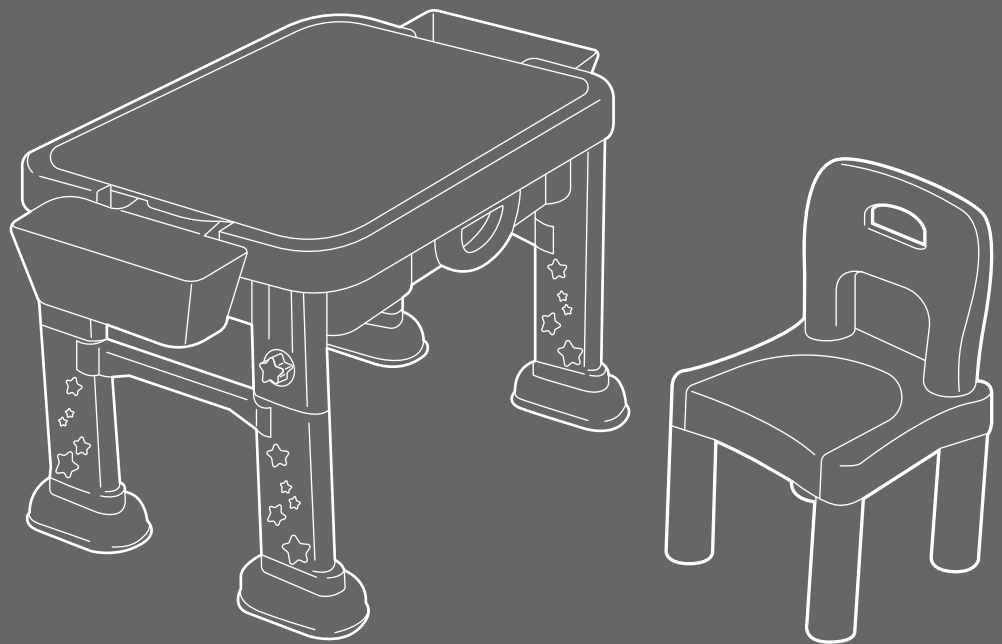




bestchoiceproducts



INSTRUCTION MANUAL

Kids Table and Chair Playset



bestchoiceproducts

As shoppers, we're always trying to find the perfect balance between quality & value. At BCP, we believe we've achieved that. Our diverse catalog of everyday essentials is tailored especially to our customers & guaranteed to hit that sweet spot of high quality & low price.

———— Always. ————

! NOTICE

- This product requires adult assembly and supervision.
- This product is for home use only, not for commercial use.
- Reconfirm that all bolts, screws, and knobs are secure every 90 days.
- Do not use or store this item in the proximity of open flame or flammable/combustible chemicals.
- Do not use any part of this product as a step stool or ladder.
- Do not attempt to force any part of this product together, this may result in damage.
- This product contains small parts. May result in choking hazard for children under 3 years.
- If any parts are missing, broken, damaged, or worn, stop using this item until repairs are made and/or factory replacement parts are installed.
- Do not use this item in a way inconsistent with the manufacturer's instructions as this could void the product warranty.



1 PERSON
ASSEMBLY



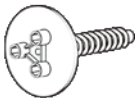
UP TO 20 MIN.
ASSEMBLY

AGE RANGE: 3 years old and up

HARDWARE

1

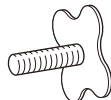
LARGE SCREW



4 PCS

2

SMALL SCREW



4 PCS

3

NONSLIP
SLIDER I



4 PCS

4

NONSLIP
SLIDER II



4 PCS

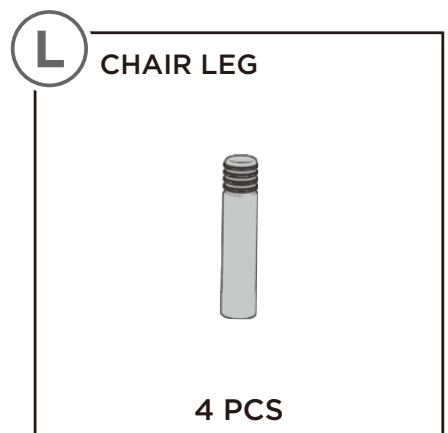
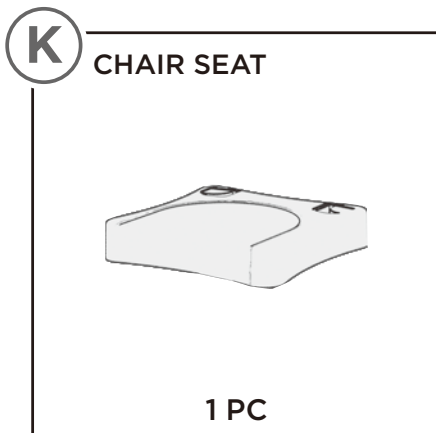
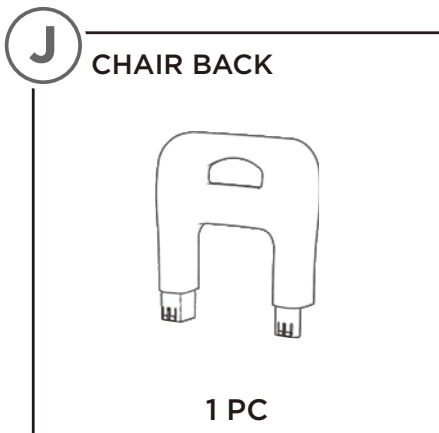
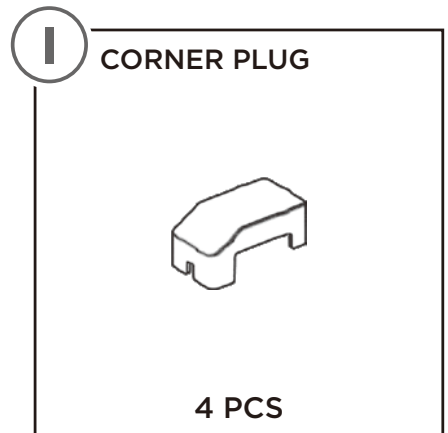
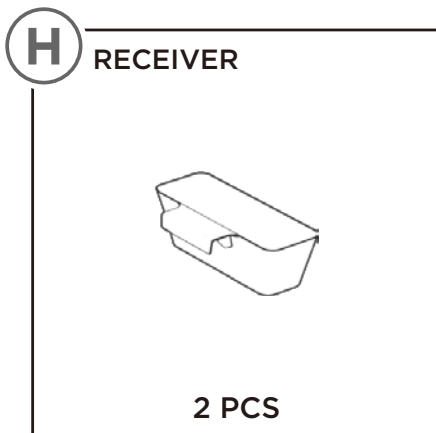
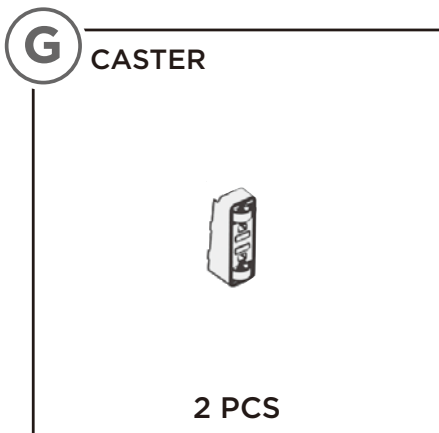
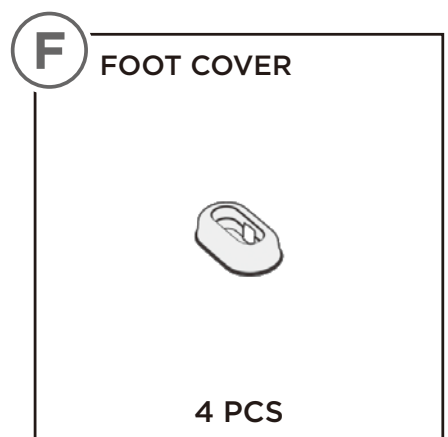
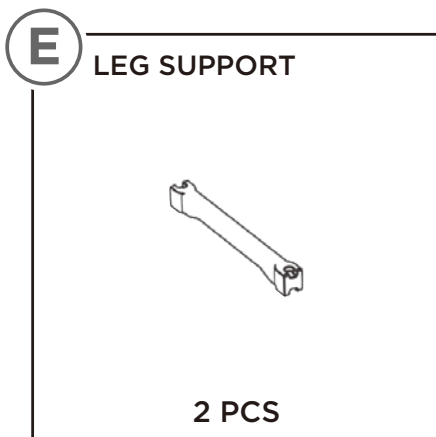
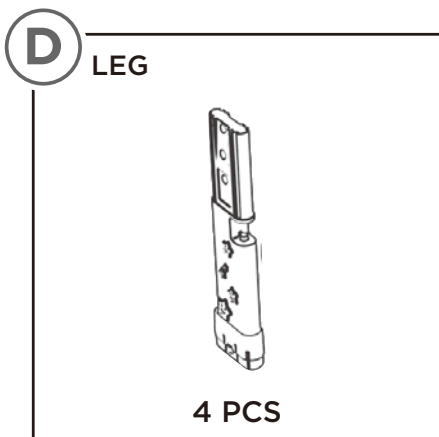
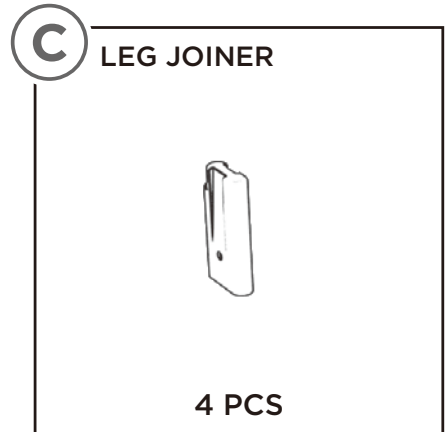
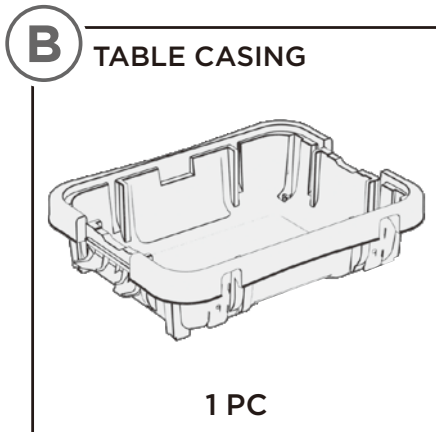
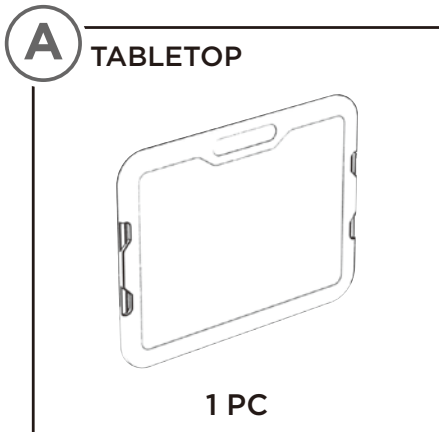
5

STAR ENDCAP



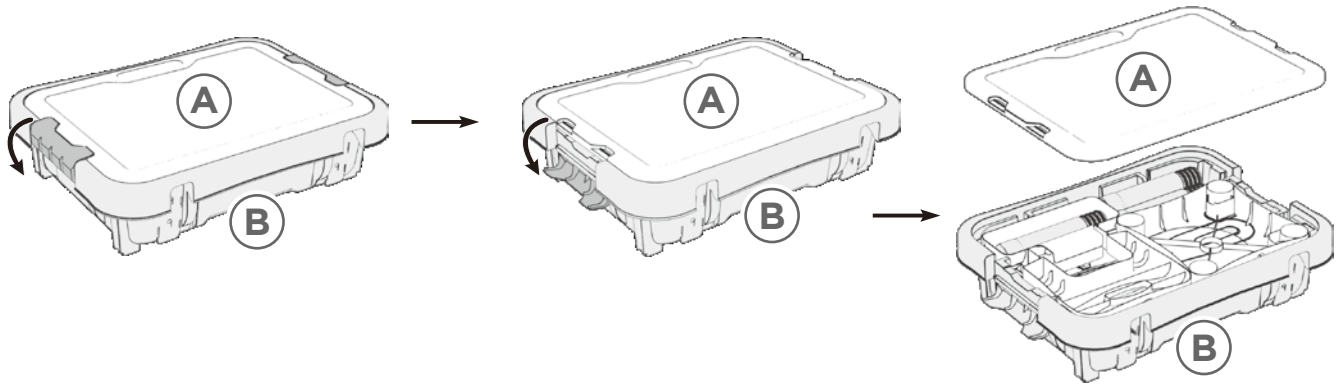
4 PCS

PARTS

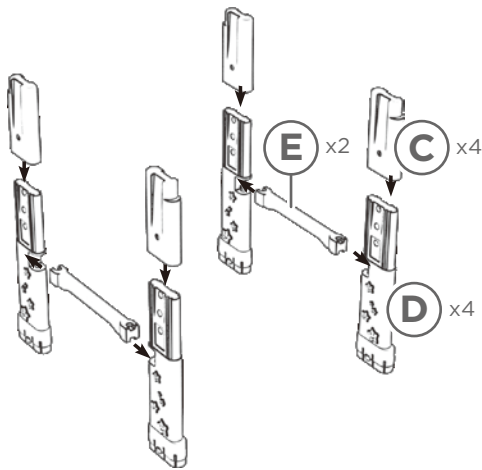


PRODUCT ASSEMBLY

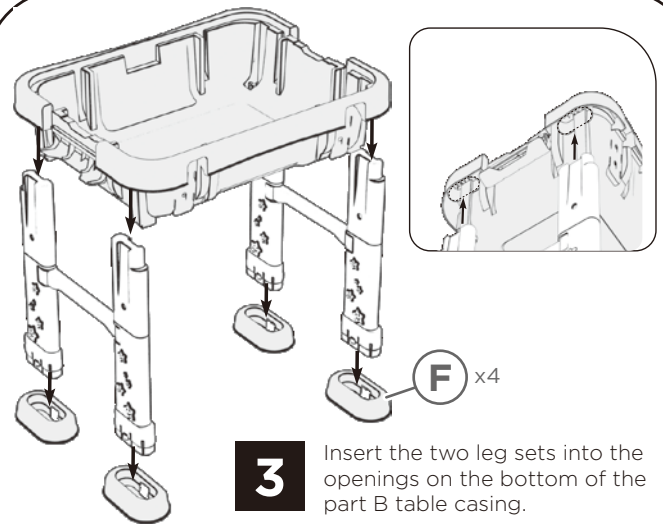
Please retain these instructions for future reference.



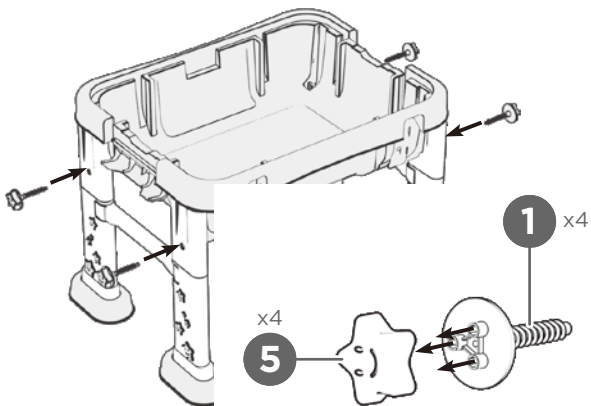
- 1** Release the two clips on the part B table casing and remove the part A tabletop. Set the tabletop aside, then remove all the parts and hardware from the casing.



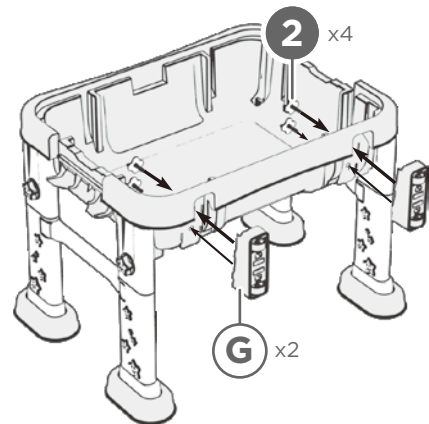
- 4** Insert four part D legs into four part C leg joiners. Connect two leg assemblies with one part E leg support. Repeat to assemble the other leg set.



- 3** Insert the two leg sets into the openings on the bottom of the part B table casing. Attach the part F foot covers onto the part D legs.

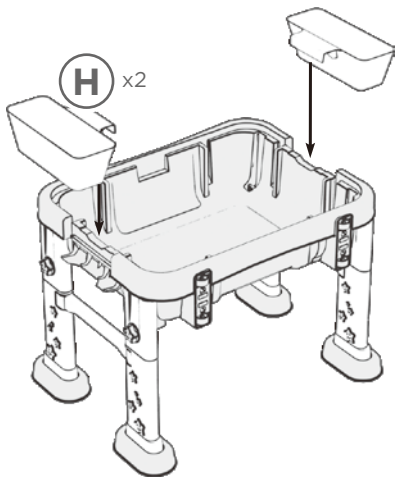


- 4** Insert four part 1 screws into the leg joiners and use the part 5 end caps to secure them.

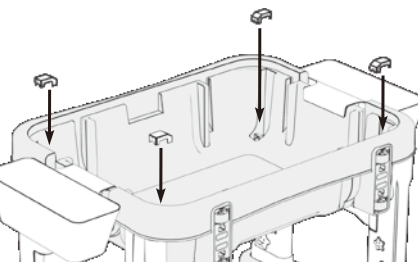


- 5** Insert two part 2 screws through the part B table casing, then attach one part G caster and turn the screws until you hear a "click." Repeat to attach the second caster.

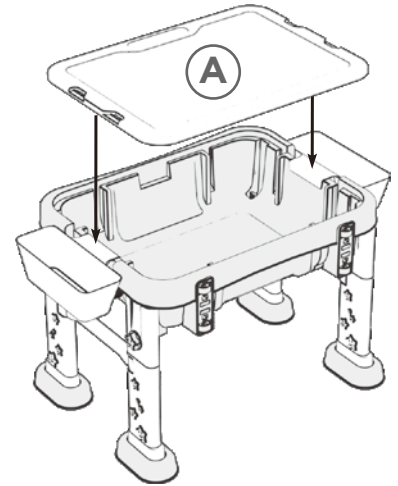
PRODUCT ASSEMBLY



6 Place two part H receivers onto the part B table casing.

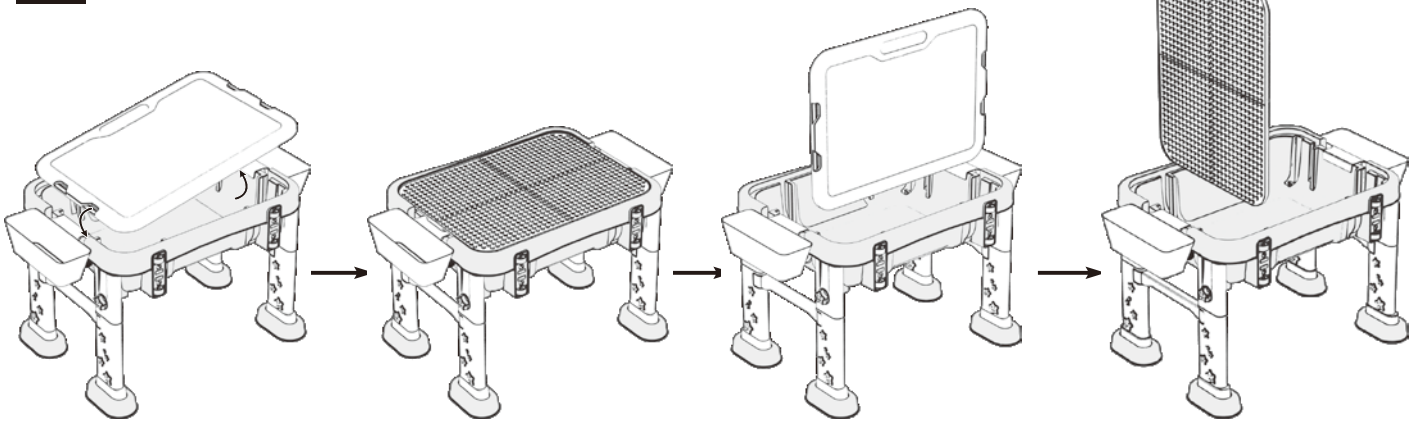


7 Insert four part I corner plugs into the corners of the part B table casing.



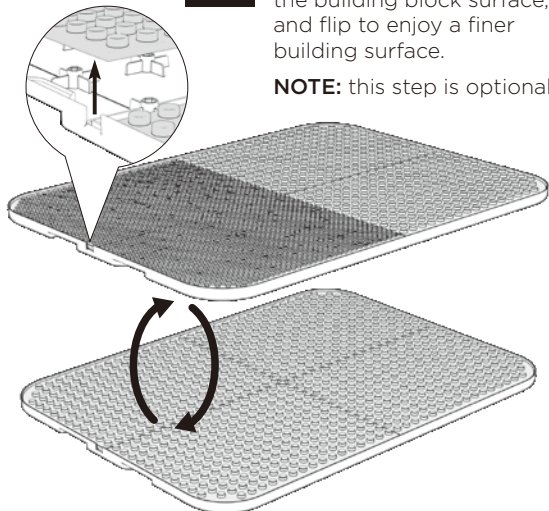
8 Place the part A tabletop onto the table casing and enjoy.

9 Flip the tabletop to reveal the building block base and place it back on the table casing.



10 Locate the opening on the side of the tabletop to lift the building block surface, and flip to enjoy a finer building surface.

NOTE: this step is optional

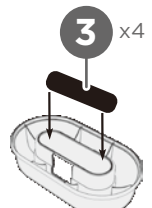
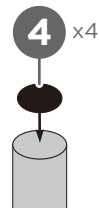
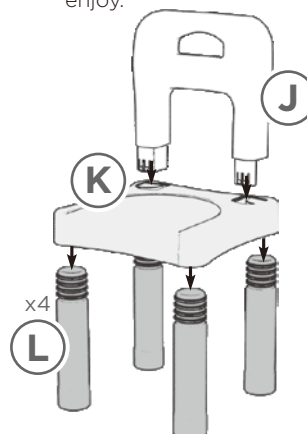


11 Locate the part K chair seat and insert four part L chair legs into the bottom.

Insert the part J chair back and enjoy.



NONLIP SLIDER



NOTE: Locate four part F foot covers and attach one part 3 nonslip slider to the bottom of each cover.

Locate four part L chair legs and attach one part 4 nonslip slider to the bottom of each leg.

Earn points while you shop. Join today!

bestchoiceproducts
rewards\$

Join | Earn | Redeem

Give your friends 15% off their first order! For each successful referral you'll receive 100 points.

bestchoiceproducts.com



HELP CENTER



Question about your product? We're here to help. Visit us at:

help.bestchoiceproducts.com



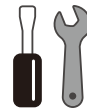
Chat Support



Product Inquiry



Orders FAQ



Product Assembly



Returns & Refunds

PRODUCT WARRANTY INFORMATION

All items can be returned for any reason within 60 days of the receipt and will receive a full refund as long as the item is returned in its original product packaging and all accessories from its original shipment are included. All returned items will receive a full refund back to the original payment method. All returned items will not be charged a re-stocking fee.

All returned items require an RA (Return Authorization) number, which can only be provided by a Best Choice Products Customer Service Representative when the return request is submitted. Items received without an RA may not be accepted or may increase your return processing time. Once an item has been received by Best Choice Products, refunds or replacements will be processed within 5 business days.

All returns must be shipped back to the Best Choice Products Return Center at the customer's expense. If the reason for return is a result of an error by Best Choice Products then Best Choice Products will provide a pre-paid shipping label via email. Boxes for return shipping will not be provided by Best Choice Products, and is the customer's responsibility to either use the original shipping boxes or purchase new boxes.

Pictures may be required for some returns to ensure an item is not damaged prior to its return. Items returned are not considered undamaged until they are received by Best Choice Products and verified as such. All damages to items are the customer's responsibility until the item has been received by and acknowledge by Best Choice Products as undamaged.

WARNING

Manufacturer and seller expressly disclaim any and all liability for personal injury, property damage or loss, whether direct, indirect, or incidental, resulting from the incorrect attachment, improper use, inadequate maintenance, unapproved modification, or neglect of this product.