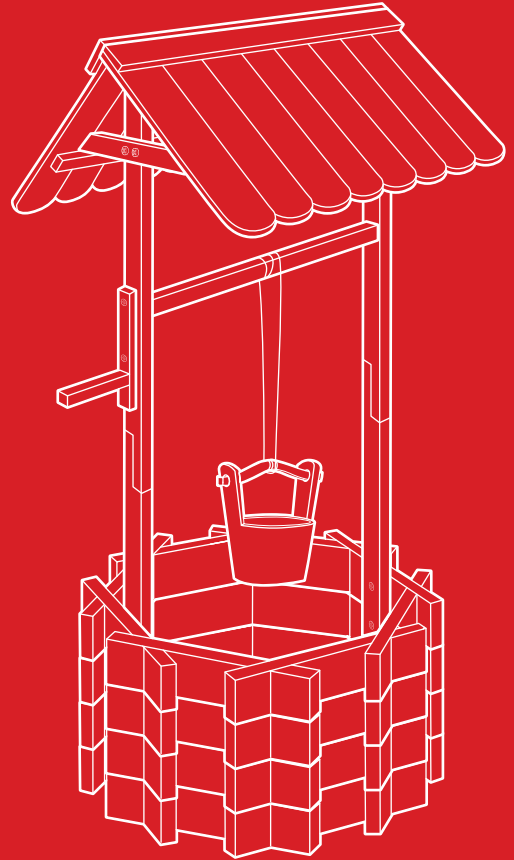




bestchoiceproducts



INSTRUCTION MANUAL

Wooden Well Planter

NOTICE

- Do not stand on or use any part of this item as a step ladder.
- Firmly secure all bolts, screws, and knobs before use.
- Reconfirm that all bolts, screws, and knobs are secure every 90 days.
- Do not use or store this item in the proximity of open flame or flammable/combustible chemicals.
- Be aware that some parts are heavy and have sharp edges.
- If any parts are missing, broken, damaged, or worn, stop using this product until repairs are made and/or factory replacement parts are installed.
- Do not use this item in a way inconsistent with the manufacturer's instructions as this could void the product warranty.

TOOLS REQUIRED

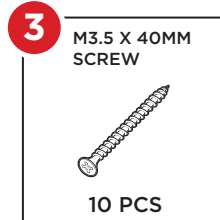
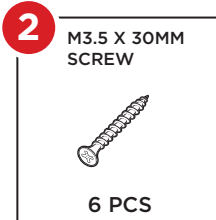
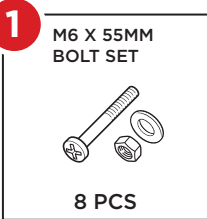


1 PERSON
ASSEMBLY

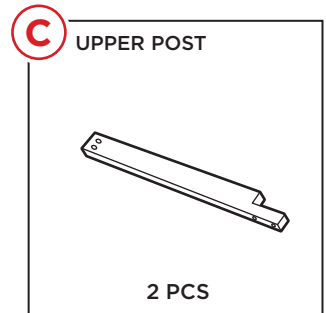
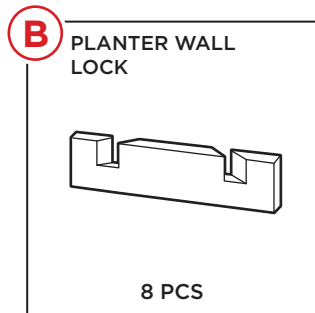
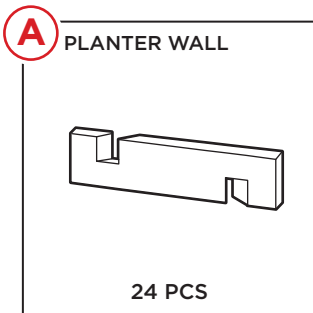


UP TO 45 MIN.
ASSEMBLY

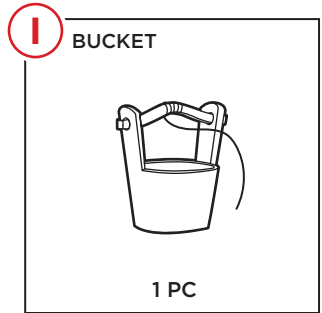
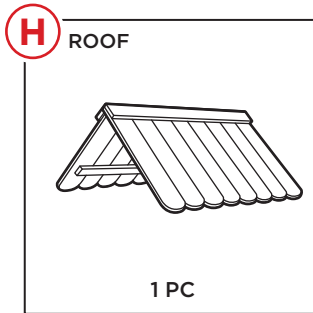
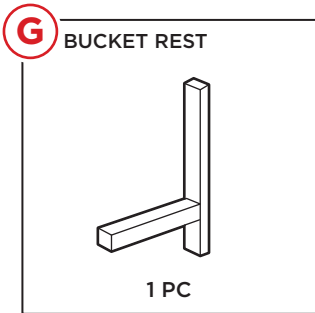
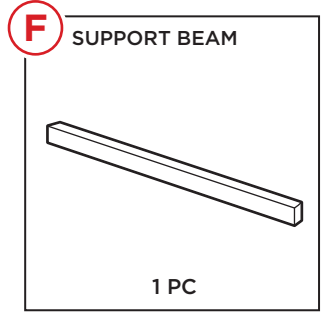
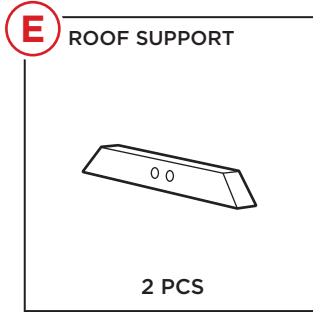
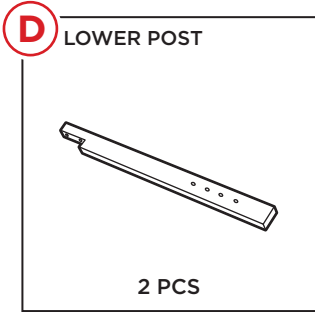
HARDWARE



PARTS



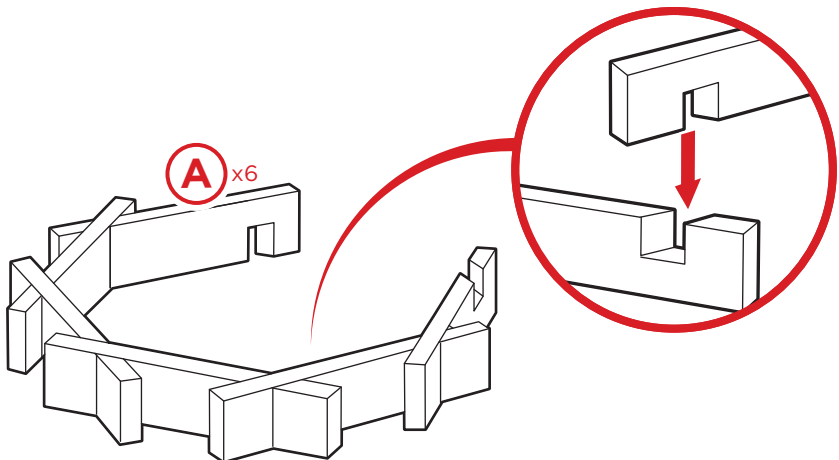
PARTS



PRODUCT ASSEMBLY

1

Interlock six part A planter walls into a semi-circle.



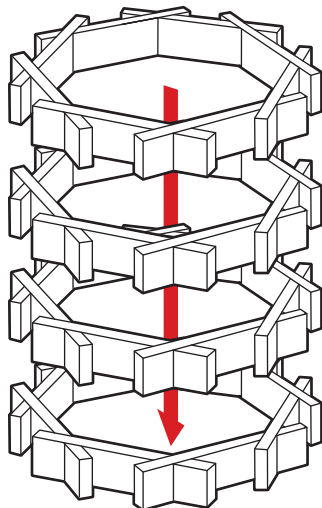
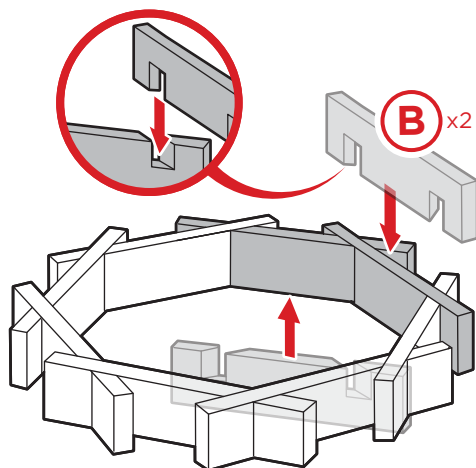
PRODUCT ASSEMBLY

2

Close the circle with two part B planter wall locks.

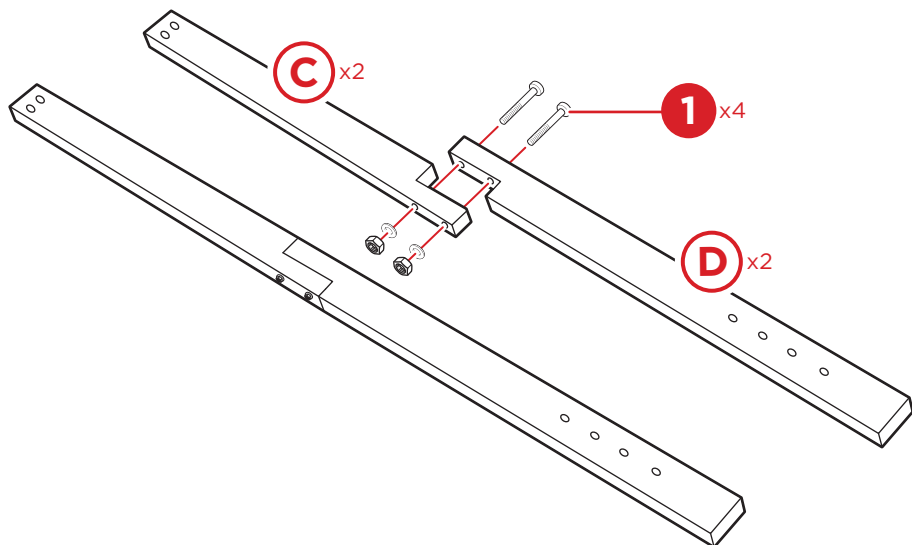
Repeat steps 1 and 2 to build an additional three planter walls. Securely stack the walls on top of one another.

NOTE: Arrange the walls so there are no gaps or uneven spaces.



3

Attach two part C upper posts to two part D lower posts with four part 1 bolt sets.

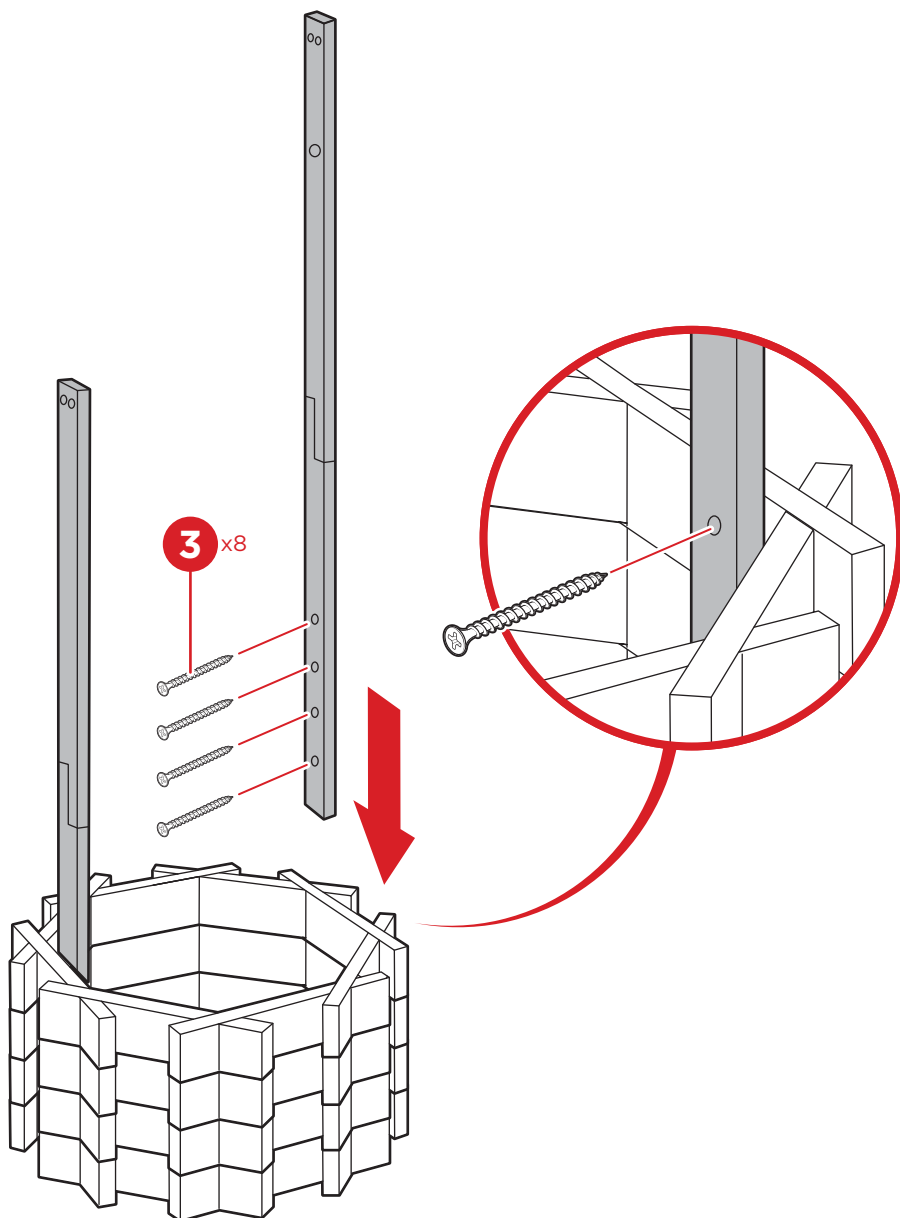


PRODUCT ASSEMBLY

4

Place the assembled posts inside the planter wall assembly. Attach the two posts with eight part 3 screws.

NOTE: Use a leveler to ensure the posts are attached at the correct angle.

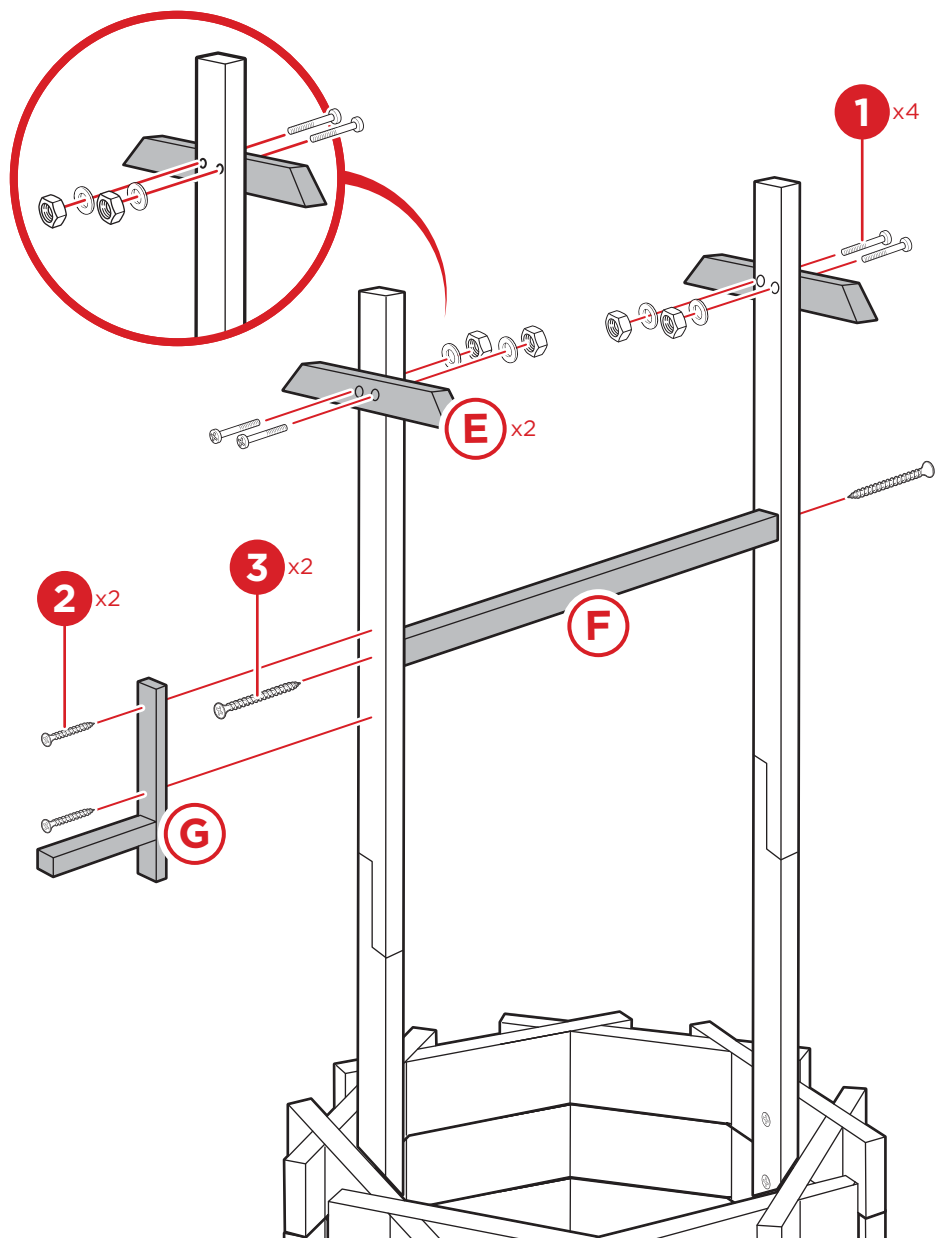


PRODUCT ASSEMBLY

5

Attach part F support beam with two part 3 screws. Attach the part G bucket rest with two part 2 screws.

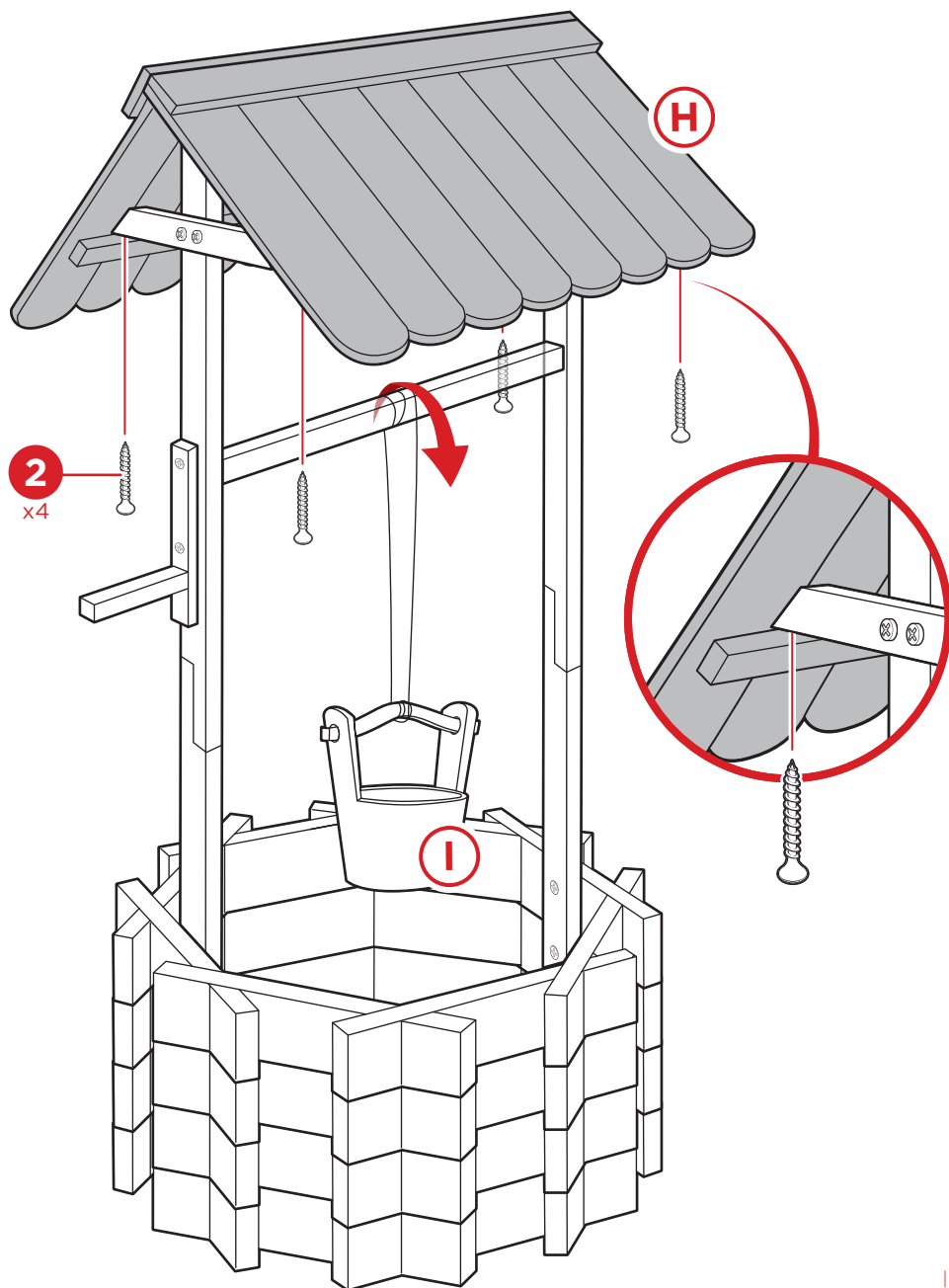
Attach two part E roof supports with four part 1 bolt sets.



PRODUCT ASSEMBLY

6

Place part H roof on top of the roof supports and secure with four part 2 screws. Tie the part I bucket to the support beam.





HELP CENTER



Question about your product? We're here to help. Visit us at:

help.bestchoiceproducts.com



Product Assembly



Returns & Refunds

PRODUCT WARRANTY INFORMATION

All items can be returned for any reason within 60 days of the receipt and will receive a full refund as long as the item is returned in its original product packaging and all accessories from its original shipment are included. All returned items will receive a full refund back to the original payment method. All returned items will not be charged a re-stocking fee.

All returned items require an RA (Return Authorization) number, which can only be provided by a Best Choice Products Customer Service Representative when the return request is submitted. Items received without an RA may not be accepted or may increase your return processing time. Once an item has been received by Best Choice Products, refunds or replacements will be processed within 5 business days.

All returns must be shipped back to the Best Choice Products Return Center at the customer's expense. If the reason for return is a result of an error by Best Choice Products then Best Choice Products will provide a pre-paid shipping label via email. Boxes for return shipping will not be provided by Best Choice Products, and is the customer's responsibility to either use the original shipping boxes or purchase new boxes.

Pictures may be required for some returns to ensure an item is not damaged prior to its return. Items returned are not considered undamaged until they are received by Best Choice Products and verified as such. All damages to items are the customer's responsibility until the item has been received by and acknowledge by Best Choice Products as undamaged.

WARNING

Manufacturer and seller expressly disclaim any and all liability for personal injury, property damage or loss, whether direct, indirect, or incidental, resulting from the incorrect attachment, improper use, inadequate maintenance, or neglect of this product.