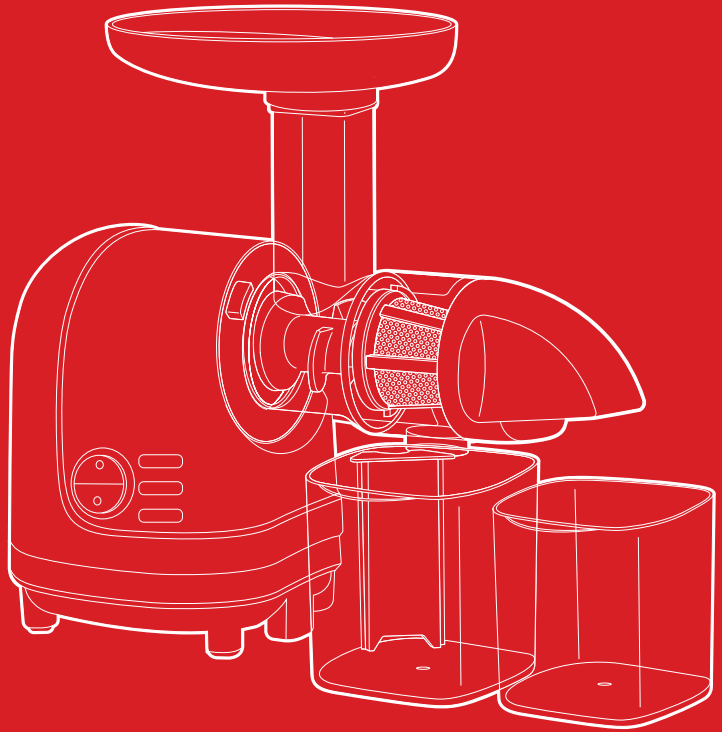




bestchoiceproducts



INSTRUCTION MANUAL

Horizontal Slow Juicer



bestchoiceproducts

As shoppers, we're always trying to find the perfect balance between quality & value. At BCP, we believe we've achieved that. Our diverse catalog of everyday essentials is tailored especially to our customers & guaranteed to hit that sweet spot of high quality & low price.

— Always. —

! NOTICE

- Do not allow children to operate this appliance. Keep appliance out of reach of children.
- Place appliance on a stable and level surface.
- This item is intended for indoor, household use only.
- Switch off and unplug appliance if it is left unattended and before assembly, disassembly, or cleaning.
- Ensure that your voltage is consistent with specifications.
- Do not plug appliance into the same circuit as other appliances.
- This appliance is not intended for use by persons (including children) with reduced physical, sensory or mental capabilities, or lack of experience and knowledge, unless they have been given supervision or instruction concerning use of the appliance by a person responsible for their safety.
- If any parts are missing, broken, damaged, or worn, stop using this product until repairs are made and/or factory replacement parts are installed.
- Do not use this item in a way inconsistent with the manufacturer's instructions as this could void the product warranty.

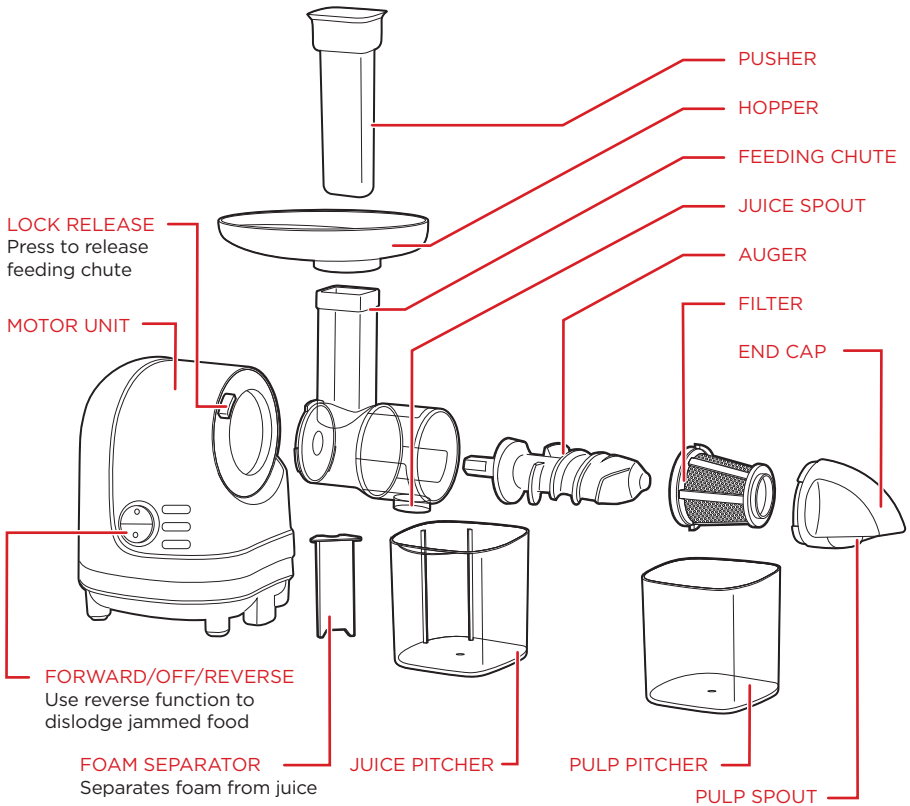
! WARNING

- Routinely check if the appliance or power cable is damaged.
- Before operating, make sure appliance is correctly assembled and all parts are properly mounted in place.
- Before plugging appliance into wall outlet, make sure the power switch is off. Switch off appliance before unplugging.
- Keep appliance away from direct sunlight and other sources of heat (stove, heater, etc.).
- Do not run power cord over sharp edges/corners or a hot surface.
- Do not submerge the motor unit in water or any other liquid.
- Do not spill water on the electrical components or connectors.
- Do not operate appliance with wet hands.
- Do not insert your hand or objects (other than the pusher) into the appliance during operation.
- Do not move appliance or touch any of its components while it is in motion.
- Always wait until parts come to a complete stop before disassembly.
- Using an extension cord is not recommended as it may overheat and cause a risk of fire.
- Do not use if the plug or any components are damaged.
- Do not unplug the appliance by pulling on the power cord. Always grasp the plug firmly and pull straight out from the outlet.
- Do not use any accessory or fitting other than original accessories and fittings.
- Do not use this appliance with an external switching device or timer.
- Switch off and unplug appliance after each use and before changing accessories or handling parts.

SPECIFICATIONS

Voltage	120V, 60Hz
Power	150 Watts
RPM	80 to 115

DIAGRAM



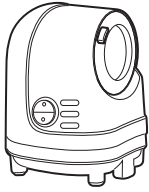
BEFORE FIRST USE

1. Remove all packaging and accessories.
2. Wash parts with warm water, mild detergent, and a soft cloth.
3. Wipe down motor unit with warm water and a soft cloth.
4. Thoroughly dry all parts.
5. Place appliance on a stable and level surface. Make sure power switch is in OFF position.

PARTS

A

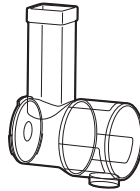
MOTOR UNIT



1 PC

B

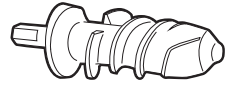
FEEDING CHUTE



1 PC

C

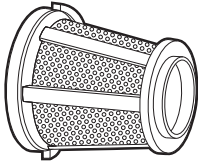
AUGER



1 PC

D

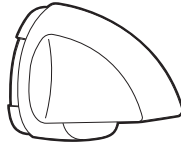
FILTER



1 PC

E

END CAP



1 PC

F

HOPPER



1 PC

G

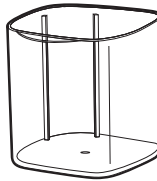
PUSHER



1 PC

H

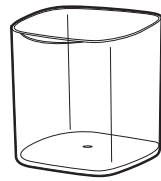
JUICE PITCHER



1 PC

I

PULP PITCHER



1 PC

J

FOAM SEPARATOR



1 PC

K

BRUSH



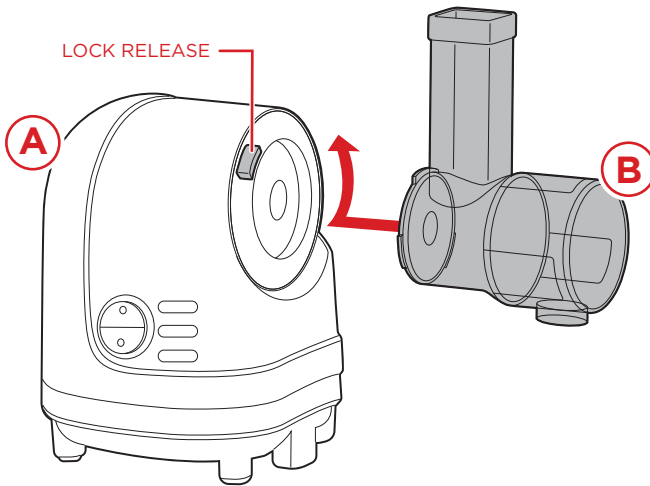
1 PC

PRODUCT ASSEMBLY

1

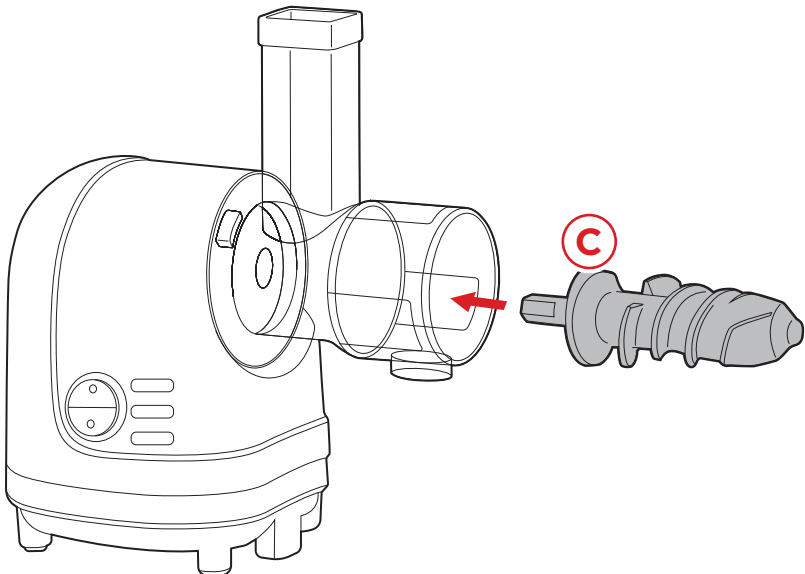
Insert the part B feeding chute into the part A motor unit. Turn the feeding chute counterclockwise until it locks in place.

NOTE: Press the lock release button to remove the feeding chute.



2

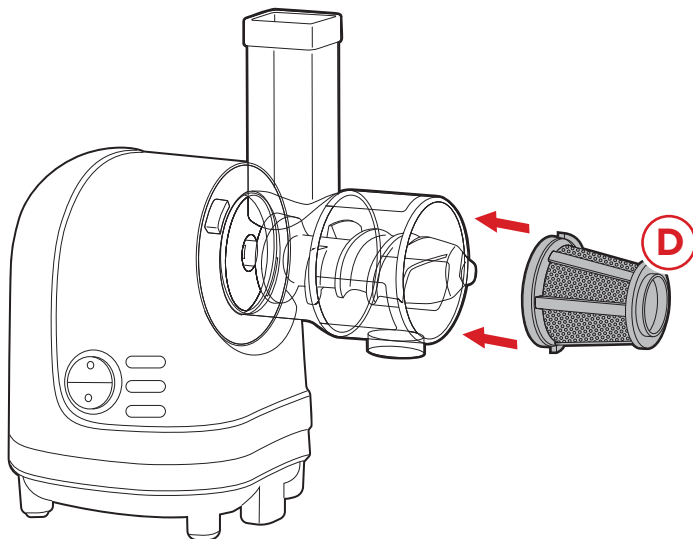
Slide the part C auger into the feeding chute opening and press it into the motor unit.



PRODUCT ASSEMBLY

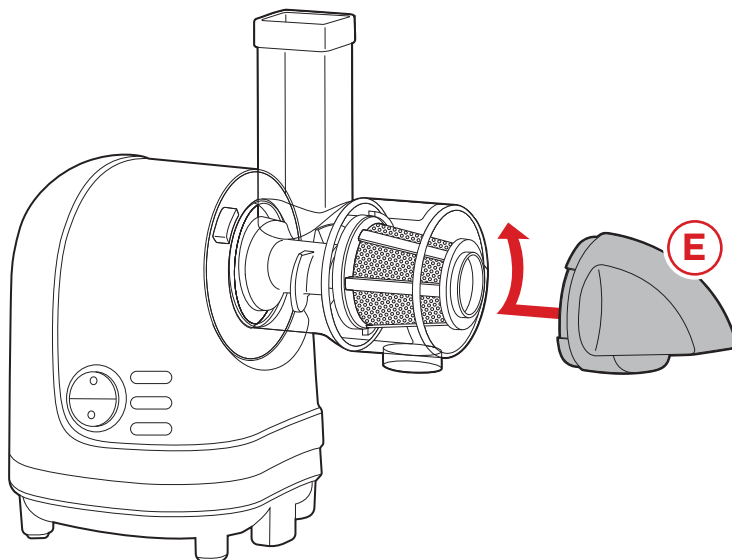
3

Align the notches on the part D filter with the feeding chute, then insert the filter.



4

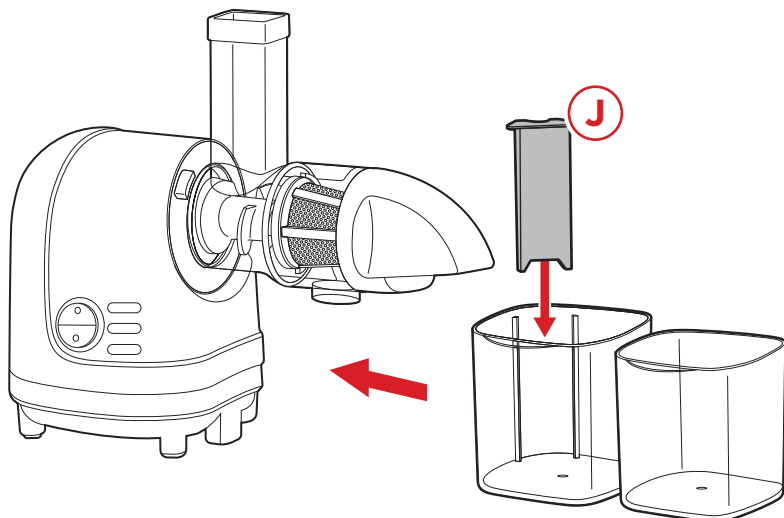
Align the part E end cap with the feeding chute opening and turn it counterclockwise until it locks in place.



PRODUCT ASSEMBLY

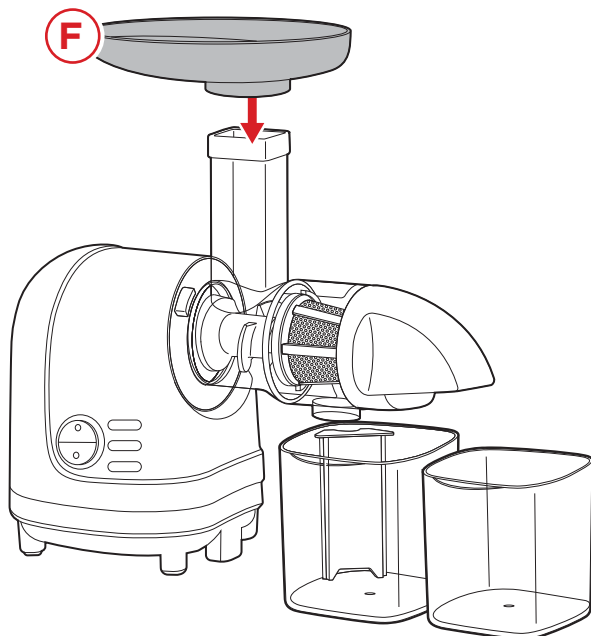
5

Slide the part J foam separator into the part H juice pitcher. Place the juice pitcher and part I pulp pitcher under the juice and pulp spouts.



6

Insert the part F hopper.



USAGE TIPS

- Do not use the appliance empty or unloaded.
- Remove seeds, pits, and shells from fruits and vegetables before juicing.
- If using frozen fruit, always add juice or milk.
- Never push food with hands or other utensils; always use the provided pusher.
- The proper amount of force should be used to push food. Do not push with excessive force, rather push just enough for food to meet the auger.
- Be aware that parts may become discolored during operation; this is normal and has no effect on health or safety.
- This appliance is equipped with overheating protection. If the motor runs for more than 20 minutes, becomes jammed/overloaded, or overheats, the unit will automatically stop.
- If motor overheats, stop operation for 20 to 30 minutes. Do not operate the appliance until it has cooled.
- Do not sterilize parts or accessories in temperatures higher than 176°F as it may cause damage or deformation.
- Switch off, unplug, and clean after every use.

OPERATING INSTRUCTIONS

1. Cut food into pieces small enough to fit into the opening of the feeding chute. Load the feeding chute and hopper with food pieces.
2. Plug appliance into a wall outlet and press the FORWARD button to begin juicing.
3. Use the pusher to push food through the feeding chute. The juice and pulp are separated automatically.
NOTE: The proper amount of force should be used to push food. Do not push with excessive force, rather push just enough for food to meet the auger.
4. To dislodge jammed food and/or maximize the amount of juice you get, press and hold the REVERSE button for 3 seconds to run the motor in reverse.
5. When finished, switch to the OFF position to turn the juicer off.

CLEANING

- Unplug the appliance before cleaning or storage.
- Wash parts and accessories with warm water, mild detergent, and a soft cloth.
- Wipe down motor unit with warm water and a soft cloth.
- Do not submerge the motor unit in water or any other liquid.
- Do not clean with steel wool or abrasive detergents.
- Place the parts in a well-ventilated place to dry. Allow parts to thoroughly dry before reassembling the appliance.



bestchoiceproducts

Check out more great products:

bestchoiceproducts.com

Earn points while you shop. Join today!

bestchoiceproducts
rewards\$

Join | Earn | Redeem

Give your friends 15% off their first order! For each successful referral you'll receive 100 points.

bestchoiceproducts.com



HELP CENTER



Question about your product? We're here to help. Visit us at:

help.bestchoiceproducts.com



Chat Support



Product Inquiry



Orders FAQ



Product Assembly



Returns & Refunds

PRODUCT WARRANTY INFORMATION

All items can be returned for any reason within 60 days of the receipt and will receive a full refund as long as the item is returned in its original product packaging and all accessories from its original shipment are included. All returned items will receive a full refund back to the original payment method. All returned items will not be charged a re-stocking fee.

All returned items require an RA (Return Authorization) number, which can only be provided by a Best Choice Products Customer Service Representative when the return request is submitted. Items received without an RA may not be accepted or may increase your return processing time. Once an item has been received by Best Choice Products, refunds or replacements will be processed within 5 business days.

All returns must be shipped back to the Best Choice Products Return Center at the customer's expense. If the reason for return is a result of an error by Best Choice Products then Best Choice Products will provide a pre-paid shipping label via email. Boxes for return shipping will not be provided by Best Choice Products, and is the customer's responsibility to either use the original shipping boxes or purchase new boxes.

Pictures may be required for some returns to ensure an item is not damaged prior to its return. Items returned are not considered undamaged until they are received by Best Choice Products and verified as such. All damages to items are the customer's responsibility until the item has been received by and acknowledge by Best Choice Products as undamaged.

WARNING

Manufacturer and seller expressly disclaim any and all liability for personal injury, property damage or loss, whether direct, indirect, or incidental, resulting from the incorrect attachment, improper use, inadequate maintenance, or neglect of this product.