

**READ AND FOLLOW ALL SAFETY INSTRUCTIONS!
SAVE THESE INSTRUCTIONS AND DELIVER TO OWNER AFTER INSTALLATION**

IMPORTANT SAFETY INSTRUCTIONS

⚠ WARNING

To reduce the risk of death, injury or property damage from fire, electric shock, cuts, abrasions, falling parts, and other hazards:

- Service of the equipment must be performed by qualified service personnel.
- Installation and maintenance must be performed by a person familiar with the construction and operation of this product and any hazards involved. All applicable codes and ordinances must be followed.
- Read this document before installing, servicing, or maintaining this equipment or installing a lamp. These instructions do not cover all installation, service, and maintenance situations. If your situation is not covered, or if you do not understand these instructions or additional information is required, contact *Lithonia Lighting* or your local *Lithonia Lighting* Distributor.
- Read and follow all warnings and instructions provided by the lamp manufacturer.

⚠ WARNING

Before installing, servicing, or maintaining this equipment, follow these general precautions.

To reduce the risk of electrocution:

- Make sure the equipment is properly grounded.
- Always de-energize the circuit and/or equipment before connecting to, disconnecting from, or servicing the equipment.

To reduce the risk of fire:

- Keep material away that can burn from hot lamp.
- Make sure lamps are correctly installed.
- Use supply conductors with a minimum installation temperature rating as specified on equipment.

To reduce the risk of personal injury from cuts, abrasions, or falling parts:

- Wear gloves to prevent cuts or abrasions from sharp edges when removing from carton, handling and maintaining this equipment.
- Do not use abrasive materials, glass cleaners or other solvents on reflector or lens. These substances may damage equipment and cause parts to eventually break and fall.
- Do not install a damaged fixture.

⚠ CAUTION: Observe lamp manufacturer's recommendations and restrictions on lamp operation, including but not limited to ballast type, burning position, replacement and cycling. Use only lamps that comply with applicable ANSI standards.

NOTICE: If lamp is marked  it contains mercury. Follow disposal laws. See www.lamprecycle.org

Lithonia Lighting, a division of *Acuity Brands Lighting*, Inc., assumes no responsibility for claims arising out of improper or careless installation or handling of this product.

SAVE THESE INSTRUCTIONS

Installation Instructions TWH

Delivery - Upon receipt of fixture and accessories (packed separately) thoroughly inspect for any freight damage which should be brought to the attention of the delivery carrier. Compare the catalog description listed on the packing slip with the fixture label on the inside of the housing to be sure you have received the correct merchandise.

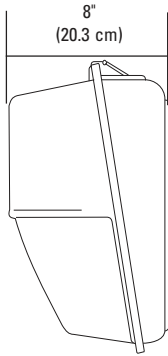
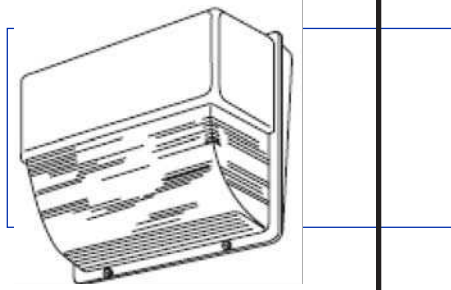
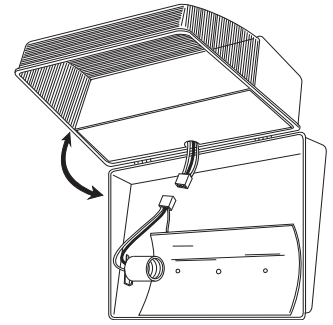
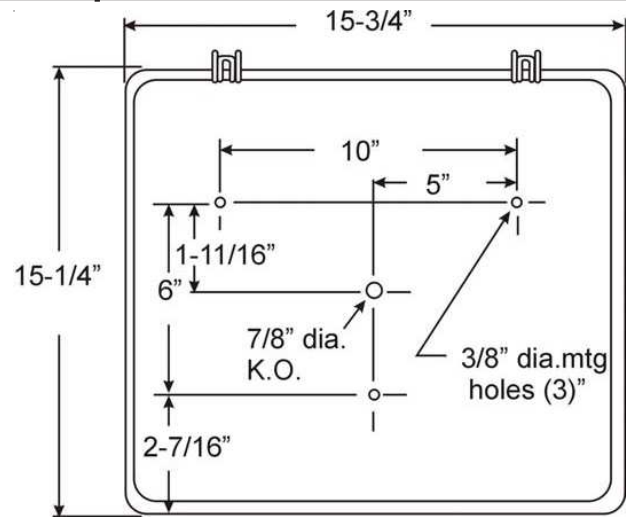


Figure 1

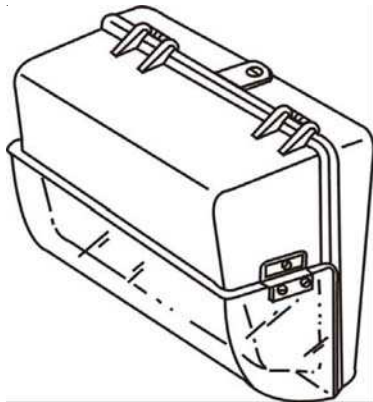


1. Loosen the 2 stainless steel captive screws in front housing and remove front housing from fixture. See Figure 1.
2. Mount fixture using dimensions shown in Figure 2.
3. Remove electrical component cover. Keep (2) two 10-24 screws for reinstallation.
4. Make supply connections (outlet box or conduit tee, not provided). Reinstall the (2) 10-24 screws and electrical component cover removed in step 3.
5. Install lamp as per directions below.
6. Replace front housing.
7. Tighten the 2 stainless steel captive screws. Do not overtighten. Overtightening will cause stripping and void all warranties.

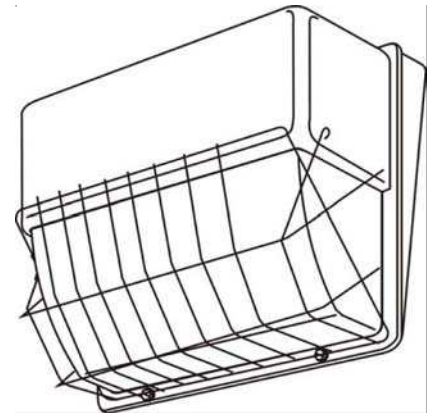
Figure 2



VG - Vandal Guard - Position polycarbonate vandal guard over prismatic glass lens. Each side of the vandal guard should have an attachment screw that matches up with a mounting hole predrilled in the fixture front housing. Thread each attachment screw into the appropriate mounting hole and tighten securely.



WG - Wire Guard - Position wire guard over prismatic glass lens. Each side of the wire guard should have an attachment screw that matches up with a mounting hole predrilled in the fixture front housing. Thread each attachment screw into the appropriate mounting hole and tighten securely.



TB - Tapped Ballast - The tapped ballast will be wired for 277 volt at the factory. To wire a fixture that contains a tapped ballast, first determine correct line voltage. Then select the proper fixture ballast voltage lead, remove crimped cap and connect to supply voltage lead. The fixture lead marked COM should then be connected to the neutral supply lead on all multi-voltage fixtures; be sure to cap off all unused fixture leads individually.

Lamp Installation - Prior to installing the lamp in the fixture, check to be sure the lamp is of proper type and wattage. Screw the lamp securely into the socket, back the lamp out one to two turns, then screw the lamp back in, making sure it is secure. This properly seats the lamp in the socket.

Troubleshooting - If this fixture fails to operate properly, check to make sure: • The correct lamp is properly installed • The fixture is wired correctly • The lamp is not faulty • The fixture is grounded correctly • The line voltage at the fixture is correct.

Lithonia Lighting Outdoor

One Lithonia Way, Conyers, GA 30012
Phone: 800-279-8041 Fax: 770-918-1209
www.lithonia.com

Part Number: RJ5210089 Rev C
Revision Date: 09-02-08