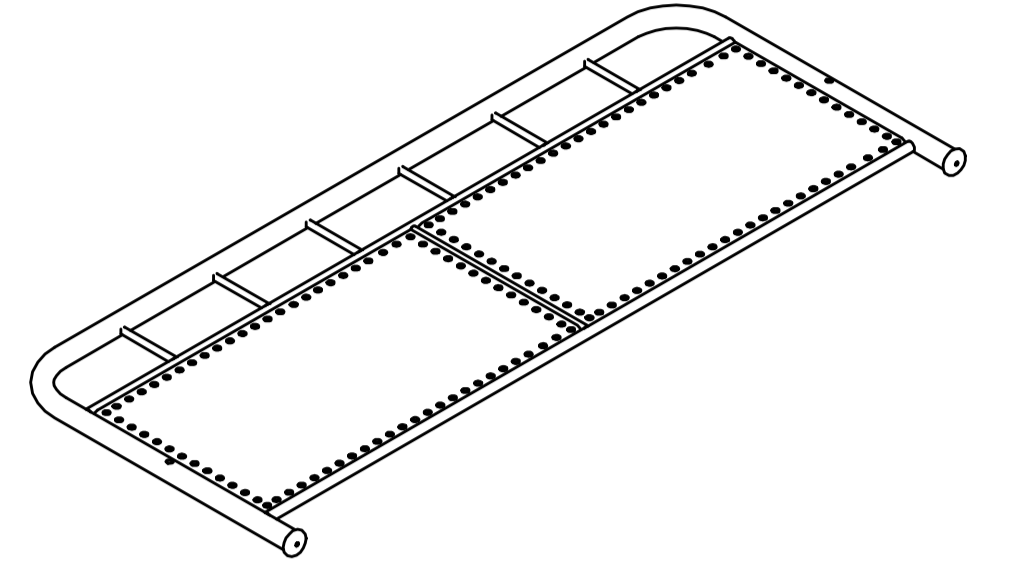
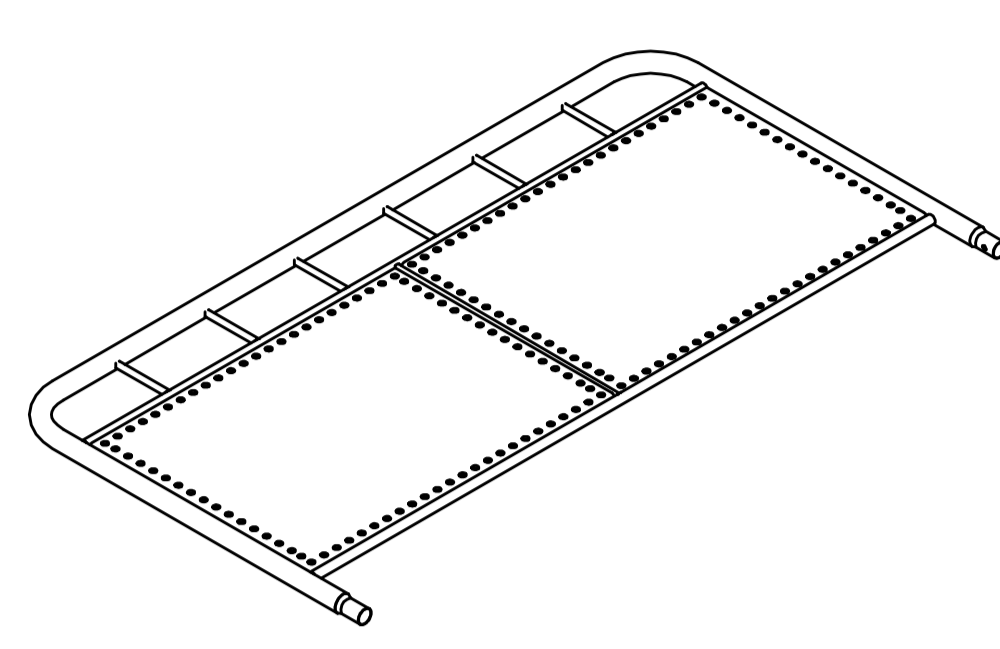
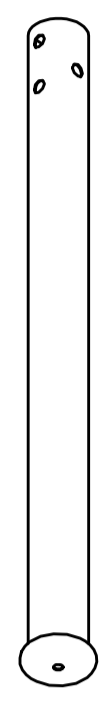
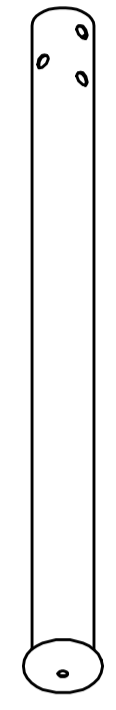


ASSEMBLY INSTRUCTION

212BQ-1 QUEEN METAL BED WITH UPHOLSTERED HB / FB

A LSF Headboard Post **B** RSF Headboard Post **C** Headboard **D** Footboard



1PC

E Rail Section (1)

1PC

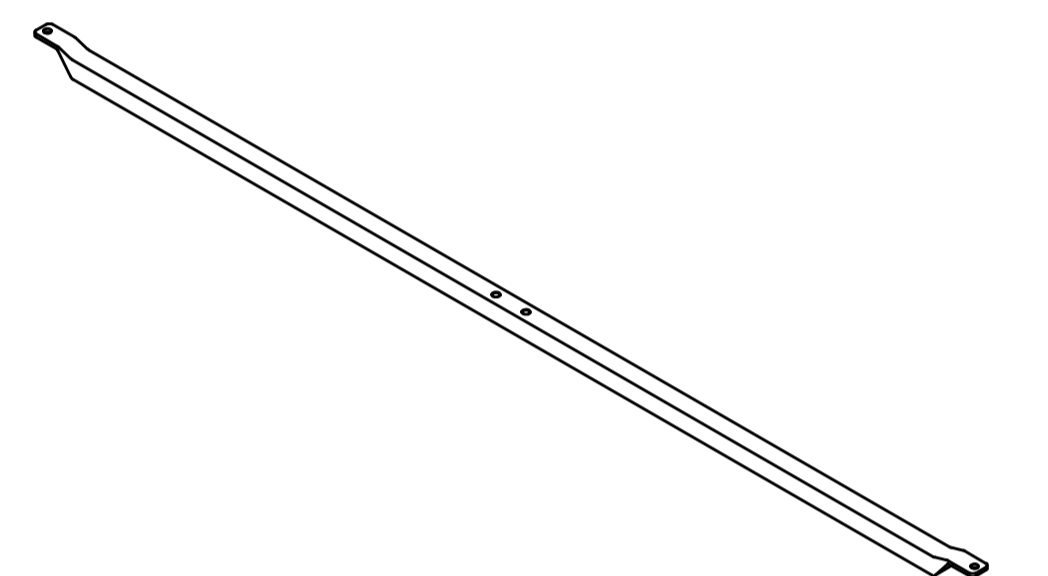
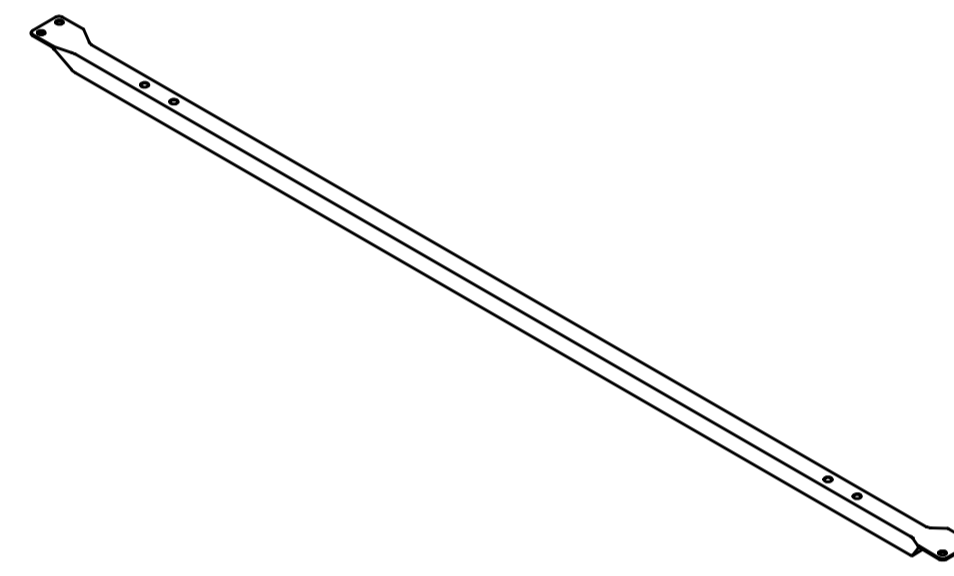
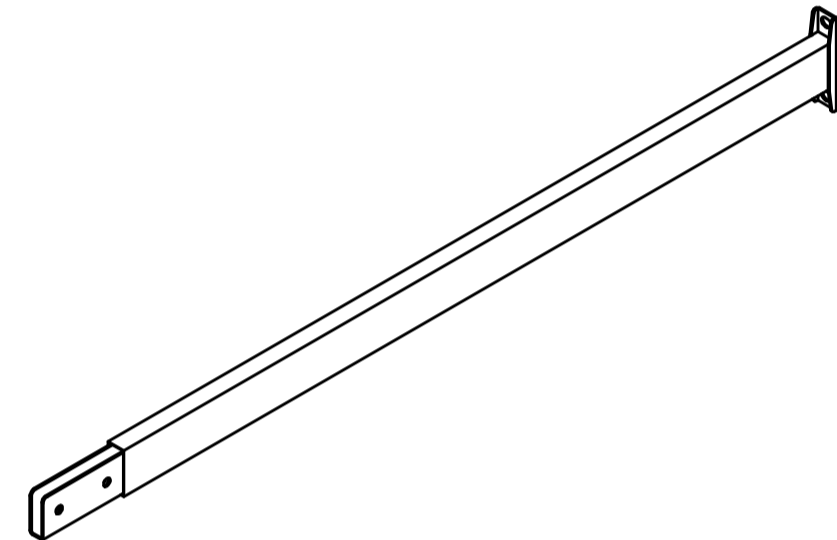
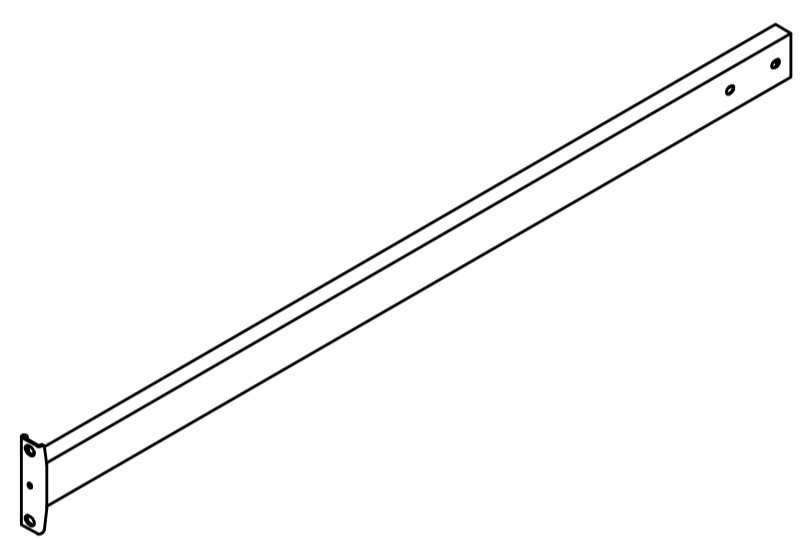
F Rail Section (2)

1PC

G Center Support Bar

1PC

H Front / Rear Center Bar



2PCS

I Support Leg

2PCS

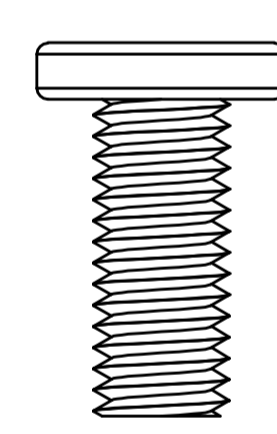
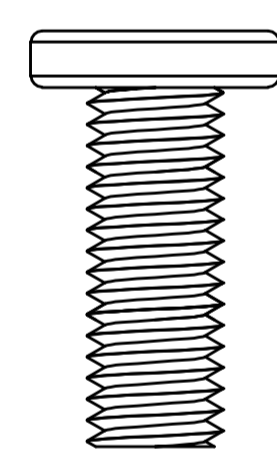
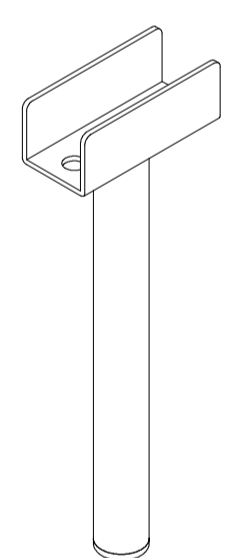
J Bolt
5/16"*19mm

1PC

K Bolt
1/4"*17mm

2PCS

L L-Allen Key
4mm

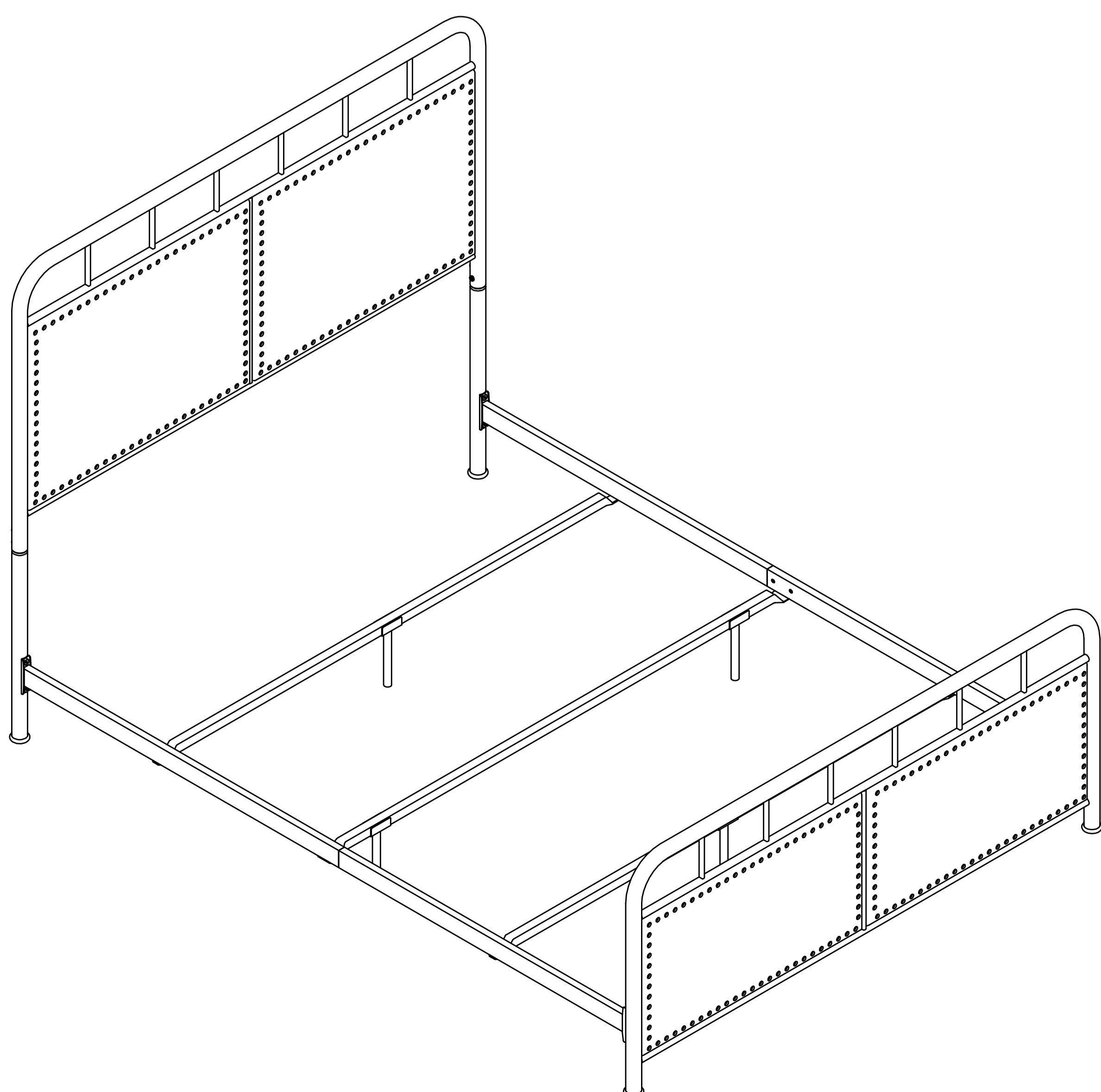


4PCS

8PCS

26PCS

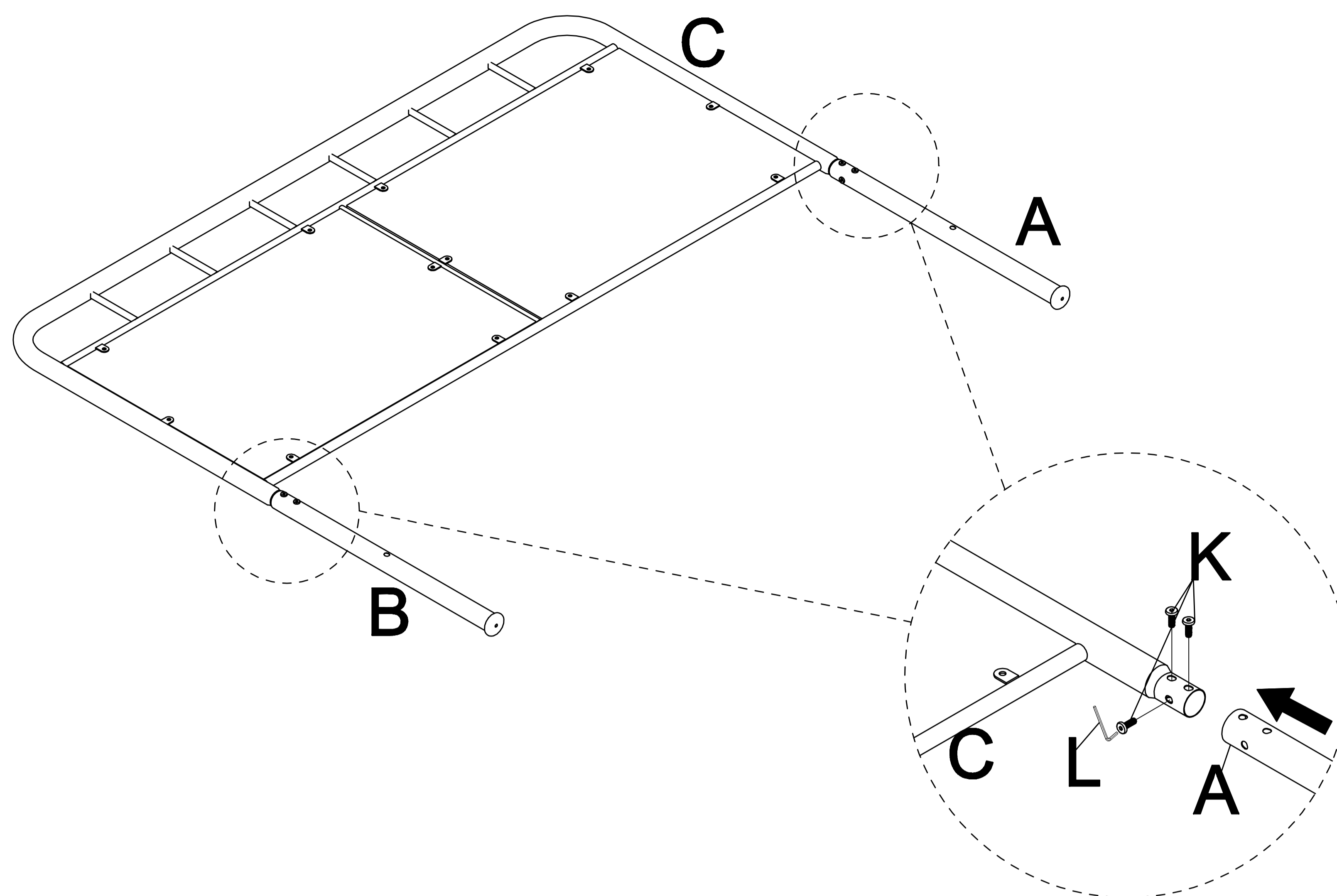
1PC



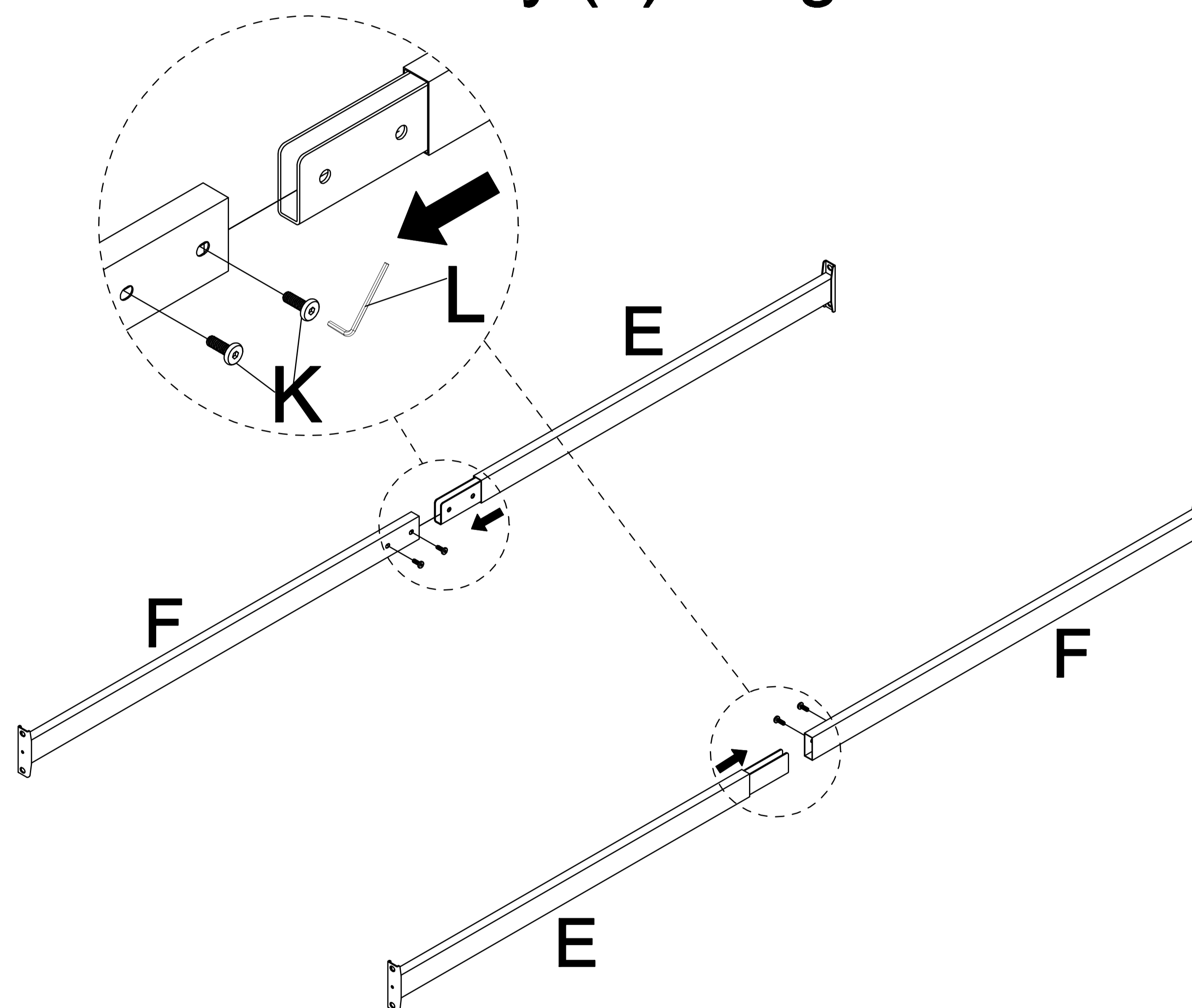
This page lists all the contents included in the box. Please take the time to identify the hardware as well as the individual components to this product. As you unpack and prepare for assembly, place the contents on a carpeted or padded area to protect them from damage.

1

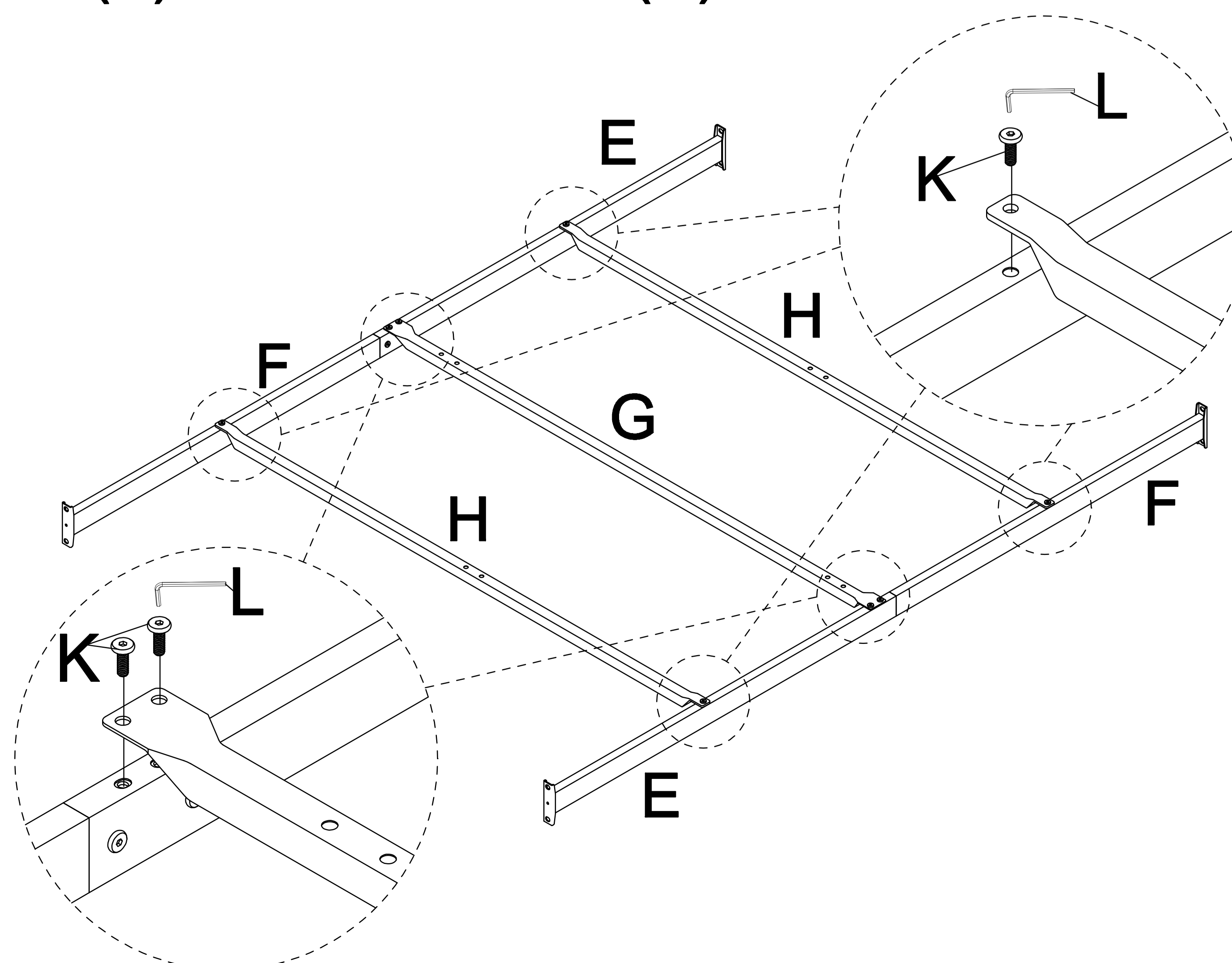
Align the LSF Headboard Post (A) and RSF Headboard Post (B) to the Headboard (C), insert the Bolt (K), turn the L-Allen Key (L) to tighten them.

**2**

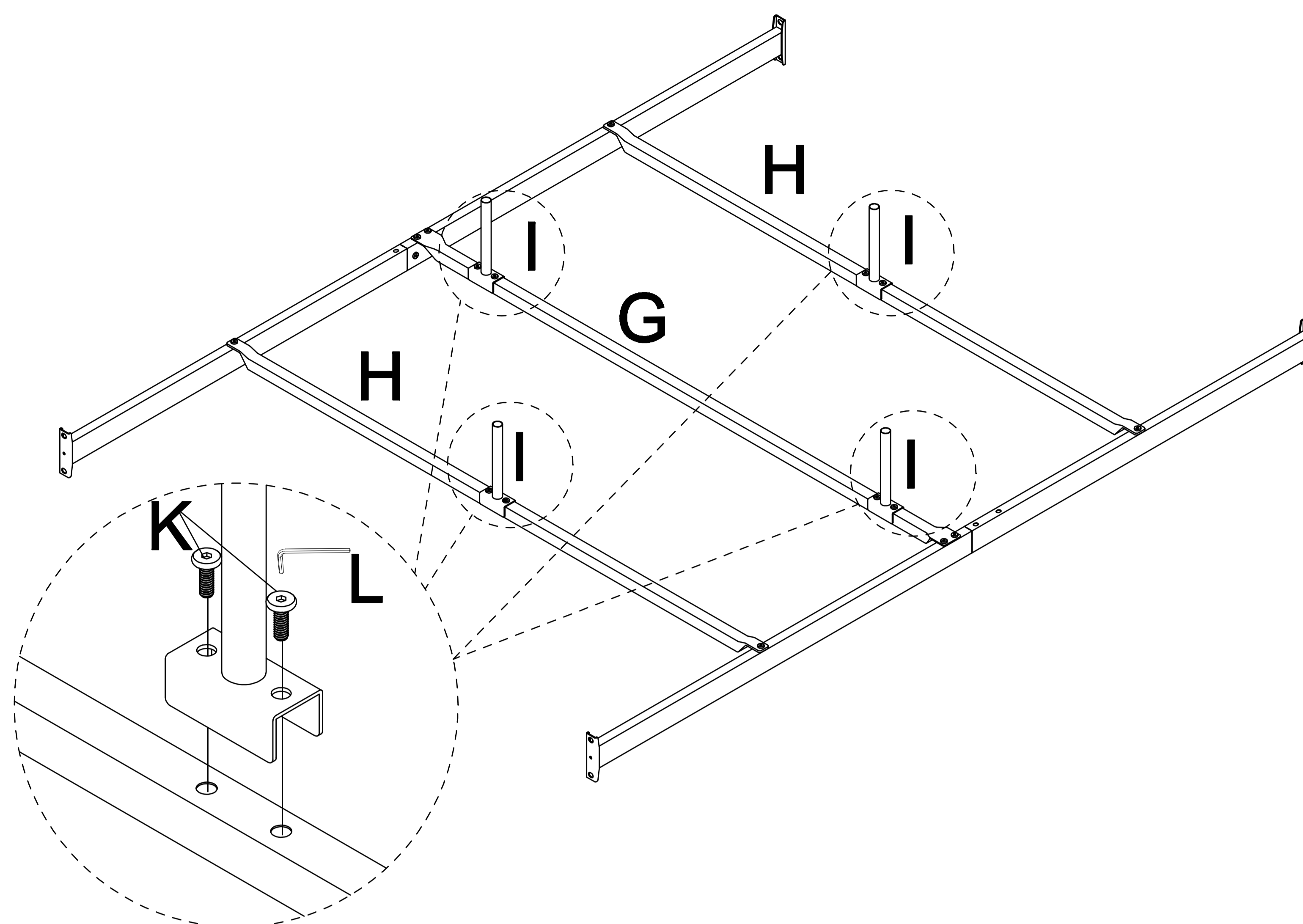
Insert the Rail Section (2) (F) to the Rail Section (1) (E), and then insert the Bolt (K), turn the L-Allen Key (L) to tighten them.

**3**

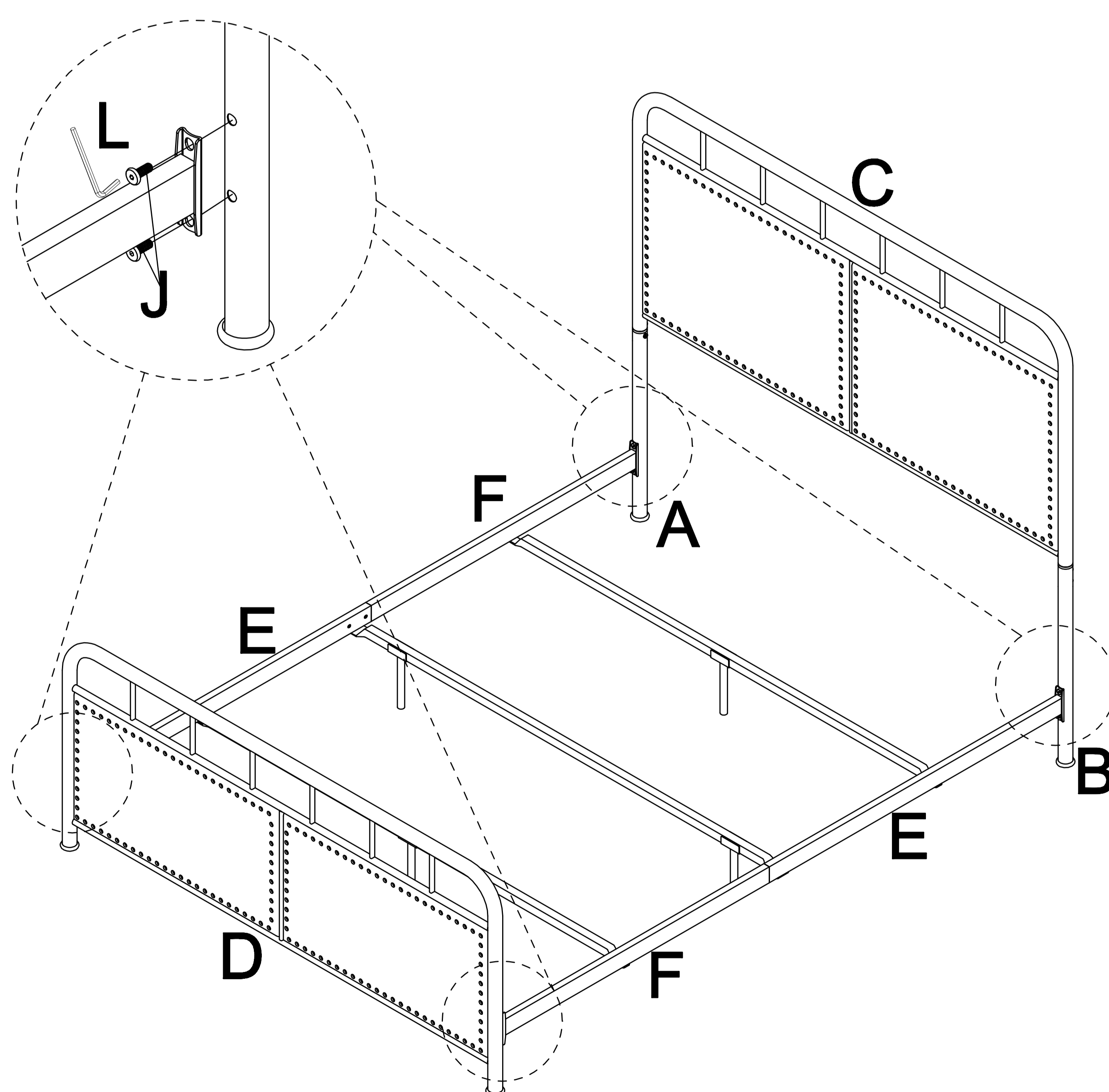
Attach the Front / Rear Center Bar (H) and Center Support Bar (G) to the Rail (E) & (F), insert the Bolt (K), turn the L-Allen Key (L) to tighten them.



- 4** Attach the Support Leg (I) to the Front / Rear Center Bar (H) and Center Support Bar (G), insert the Bolt (K), turn the L-Allen Key (L) to tighten them.



- 5** Attach the Rails (E) and (F) to the LSF Headboard Post (A) and RSF Headboard Post (B) and Footboard (D), insert the Bolt (J), turn the L-Allen Key (L) to tighten them.



Cleaning & Care

Treat surface with care. Surface is resistant to scratches but is not scratch resistant. Clean surfaces with a dry or damp soft cloth. Do not use abrasive cleaners. Hardware may loosen over time. Periodically check that all connections are tight.