



bestchoiceproducts



# INSTRUCTION MANUAL

---

7-foot Kids Mini Trampoline  
with Enclosure



**bestchoice**products

---

Thank you for choosing us! Since 2002, Best Choice Products has been bringing customers high-quality products at the absolute lowest price. With everything ranging from instruments and toys to furniture and outdoor, we've got your everyday living essentials covered. We're centered around a customer-first philosophy - with free shipping, exceptional customer service, and a catalog sourced with you in mind.

---

## ! NOTICE

Please retain these instructions for future reference.

**AGE RANGE:** 3 to 10 years old

**WEIGHT CAPACITY:** 185 lbs.

- Adult assembly is required. Two adults are recommended.
- This trampoline is for household, indoor or outdoor use only.
- Only use with adult supervision. Do not allow children to play alone.
- Place on level, stable ground.
- No more than one person at a time may jump on this trampoline.
- Do not perform somersaults or flips as this may increase the risk of injury.
- Do not stand on or use any part of this item as a step ladder.
- Firmly secure all bolts, screws and knobs before use.
- Reconfirm that all bolts, screws, and knobs are secure every 90 days.
- Be aware that some parts are heavy and have sharp edges.
- Two adults are required to move trampoline. Secure connector points with weather resistant tape and carefully move.
- Do not use or store this item in the proximity of open flame or flammable/combustible chemicals.
- This item is not intended for use by persons with reduced physical, sensory or mental capabilities, or lack of experience and knowledge, unless they have been given supervision or instruction concerning use of the item by a person responsible for their safety.
- If any parts are missing, broken, damaged, or worn, stop using this product until repairs are made and/or factory replacement parts are installed.
- Do not use this item in a way inconsistent with the manufacturer's instructions as this could void the product warranty.

## NOTICE TO ADULT SUPERVISOR

- The supervisor must strictly enforce the safety rules and be familiar with all the information provided in the owner's manual prior to allowing any user on the trampoline.
- The enclosure net must be completely closed whenever trampoline is in use.
- Do not allow children to intentionally jump into the enclosure net.
- Children must not crawl under or try to enter the enclosure while the trampoline is in use.
- Never allow supervision of the trampoline by someone who is under the influence of alcohol or drugs.
- It is recommended that children focus their eyes on the edge of the trampoline to help control their bounce.
- Routinely check all nuts and bolts for tightness and examine parts for damage/wear.
- Check that all spring joints are intact and cannot come undone during play.
- Do not allow anyone to use the trampoline unsupervised, regardless of the skill or age of the trampoline user.

## WARNING

- Misuse and abuse of this trampoline is dangerous and can cause serious injury.
- Check the screws, frame, and trampoline bed for any defects before use.
- Always inspect the trampoline before each use for wear on the mat and loose/missing parts.
- Only jump with bare feet or socks on the trampoline.
- Place trampoline on level ground and at least **8 feet** away (above and on each side) from any structure or obstruction such as a fence, garage, house, over-hanging branches, laundry lines, or electrical wires.
- Do not place trampoline over concrete, asphalt, padded earth or any other hard surface.
- Maintain a clear area around, above, and under the enclosure while the trampoline is in use.
- Do not attach items to the trampoline as they may cause a strangulation hazard.
- Do not to place the trampoline under a canopy of surrounding trees.
- Do not use trampoline in darkness or low light. Only use in a well-lit area.
- Do not allow power cords or electronics to come in contact with the metal frame of the trampoline.
- Do not put any objects on the trampoline.
- Do not allow any objects or people underneath the trampoline.
- Do not sit or lean on trampoline bed pads; the pads must remain flexible because they move with the trampoline bed.
- Do not put animals on the trampoline.
- Do not use if suffering from injury or if you are pregnant.
- Empty your pockets and remove glasses, watches, jewelry and chains, ornaments, clasps and other sharp objects before starting to jump.
- Do not smoke while using the trampoline.
- Climb on and off the trampoline. Do not use the trampoline as a springboard.
- To stop bouncing, flex your knees while your feet are in contact with the bed.
- Avoid bouncing too high; maintain control while jumping.
- Bounce in the center of the trampoline bed.
- Avoid bouncing if you are over exhausted or tired.
- Keep objects away which could interfere with the person jumping.
- Do not use trampoline while under the influence of alcohol or drugs.
- Do not use trampoline in stormy, wet, or windy conditions. Be aware of lightning as the trampoline has a metal frame.
- Do not use if trampoline is wet.

## CLEANING AND STORAGE

- To clean, wipe down with a soft, damp cloth.
- Do not use abrasive cleaners or corrosive liquids like gasoline or acetone.
- Store indoors or cover with tarp in rainy, windy, or stormy conditions.

## TOOLS REQUIRED



PHILLIPS/FLATHEAD  
SCREWDRIVER



WRENCH  
(PROVIDED)



SPRING PULLER  
(PROVIDED)



185 LBS  
CAPACITY



2 PERSON  
ASSEMBLY



APPROXIMATELY  
1 HOUR  
ASSEMBLY

## HARDWARE

**1** M6 x 45mm  
BOLT



6 PCS

**2** M4 x 10mm  
SCREW



6 PCS

**3** WASHER



12 PCS

**4** SPRING  
WASHER



6 PCS

**5** M6 NUT



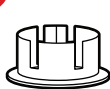
6 PCS

**6** SPRING



36 PCS

**7** END CAP



6 PCS

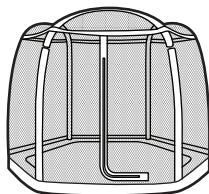
## PARTS

**A** TRAMPOLINE BED



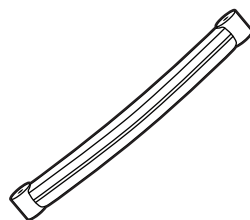
1 PC

**B** ENCLOSURE NET



1 PC

**C** HORIZONTAL BASE



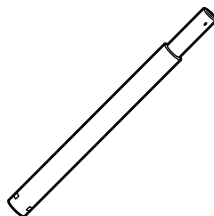
3 PCS

**D** LEG COVER



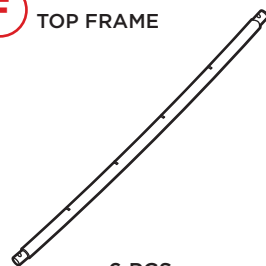
6 PCS

**E** VERTICAL LEG



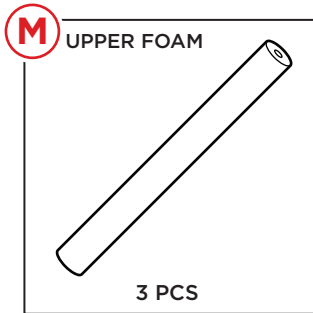
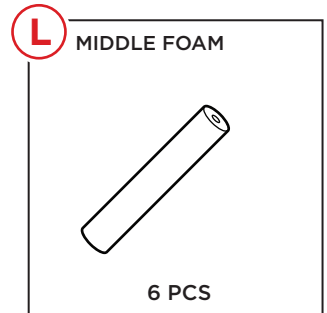
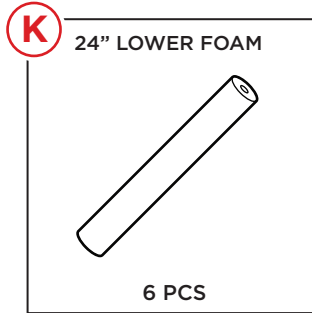
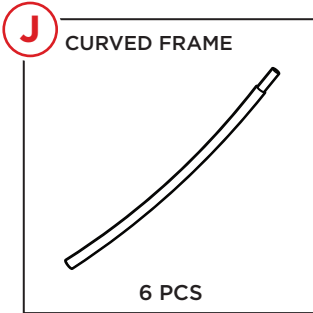
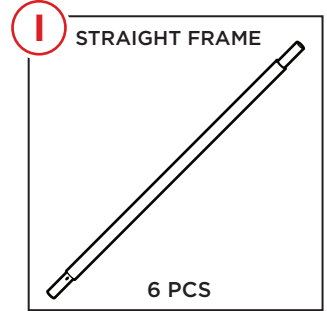
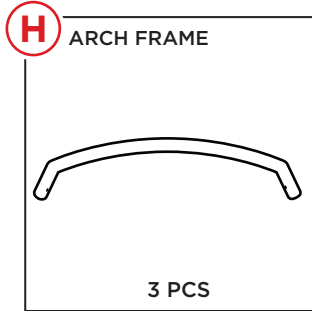
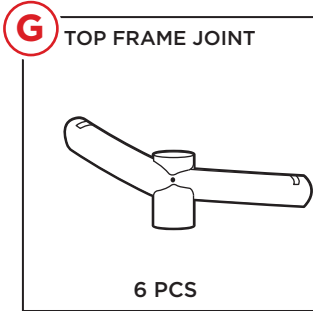
6 PCS

**F** TOP FRAME



6 PCS

## PARTS



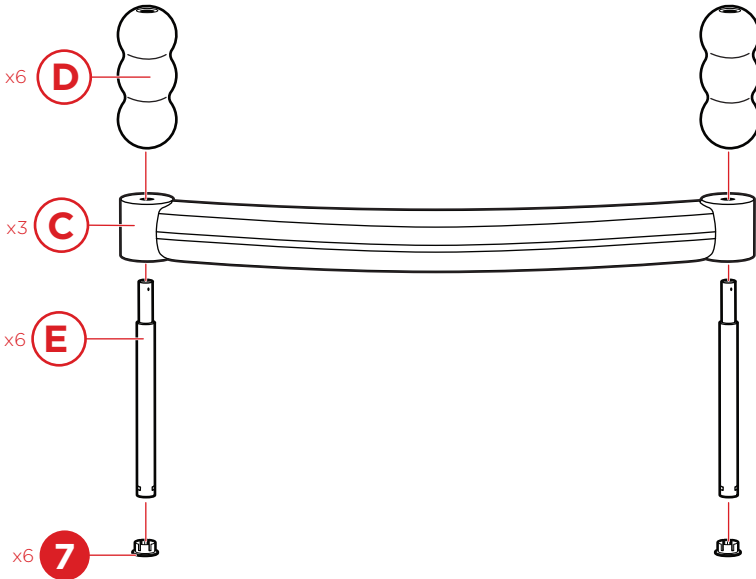
## PREPARATION

- Remove all packaging and parts. Inspect parts to make sure they are in good condition.
- Gloves are recommended for assembly.
- Do not assemble product in rainy, windy, or stormy conditions.
- Assemble trampoline on level, stable ground and at least **8 feet** away (above and on each side) from any structure or obstruction such as a fence, garage, house, over-hanging branches, laundry lines, or electrical wires.
- Do not place trampoline over concrete, asphalt, padded earth or any other hard surface.

## PRODUCT ASSEMBLY

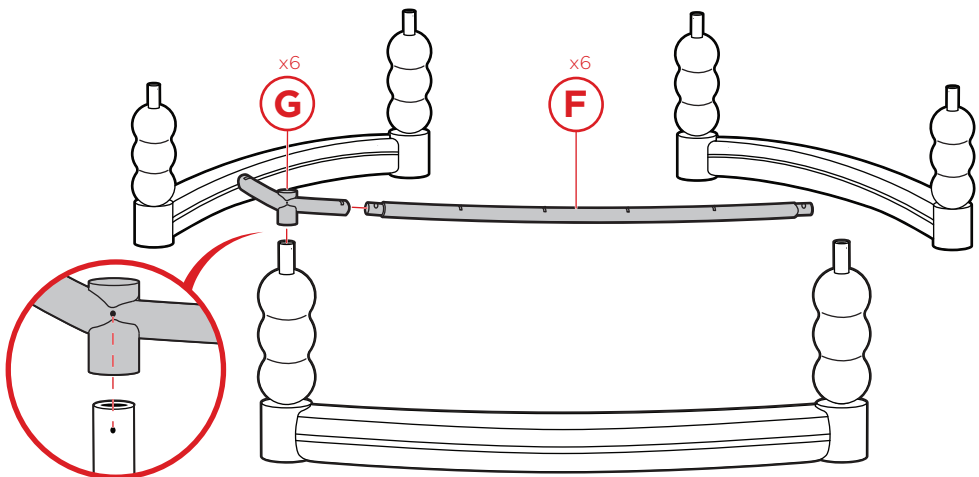
1

Slide six part E vertical legs into three part C horizontal bases. Insert six part 7 end caps and six part D leg covers, two end caps/leg covers per horizontal base.



2

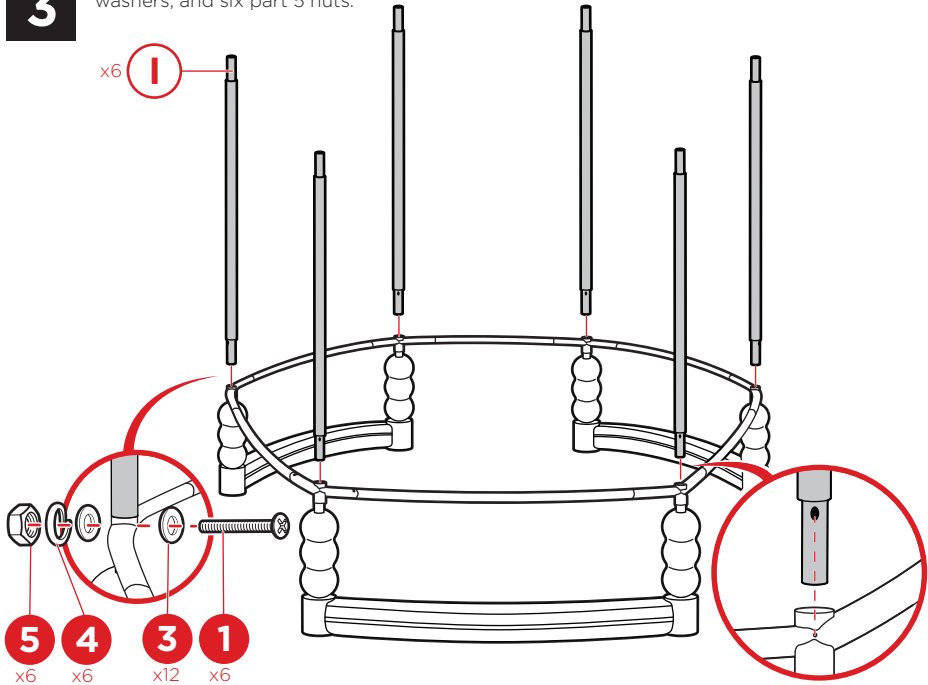
Slide a part G frame joint onto a part F top frame, then insert the frame joint onto a vertical leg. Repeat all the way around to build the trampoline frame.



## PRODUCT ASSEMBLY

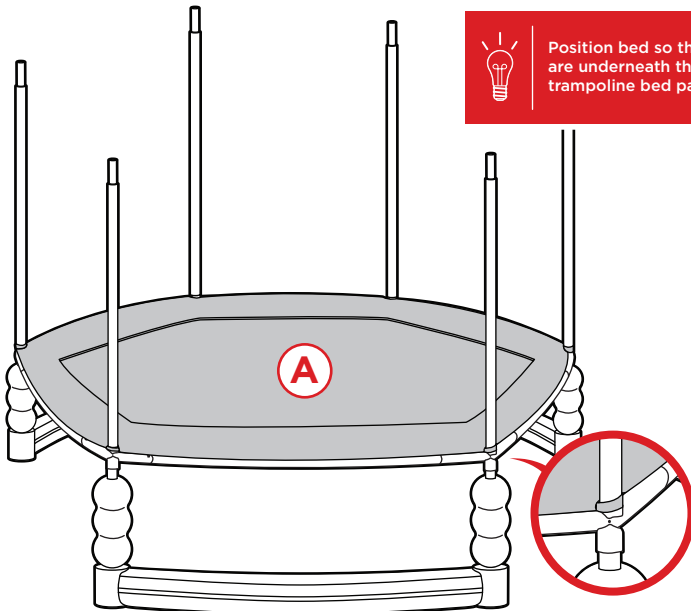
3

Attach six part 1 straight frames with six part 1 bolts, twelve part 3 washers, six part 4 spring washers, and six part 5 nuts.



4

Slide the elastic loops on the part A trampoline bed onto the straight frames.



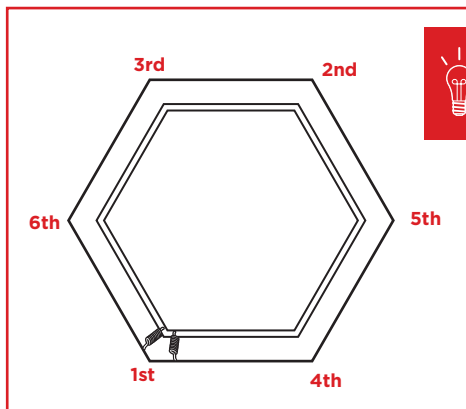
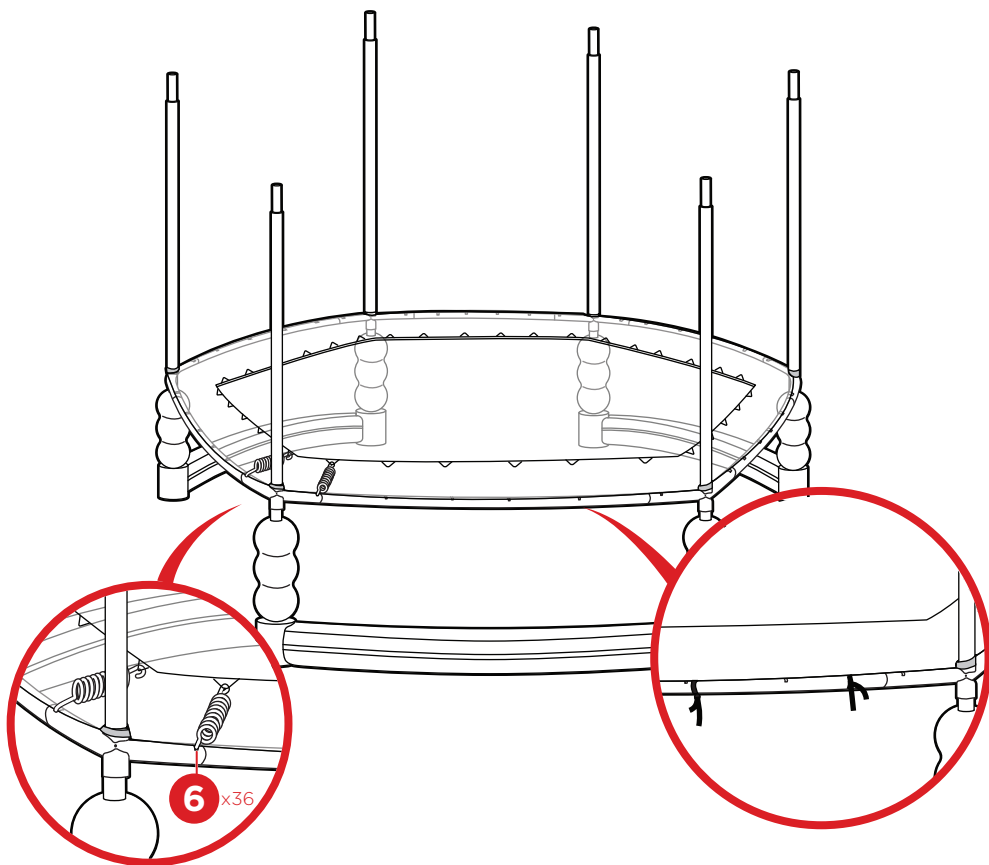


## PRODUCT ASSEMBLY

5

Hook thirty-six part 6 springs onto the rings on the trampoline bed. Use the provided spring puller to attach the springs to the holes on the trampoline frame.

Tie the trampoline bed pads to the frame.

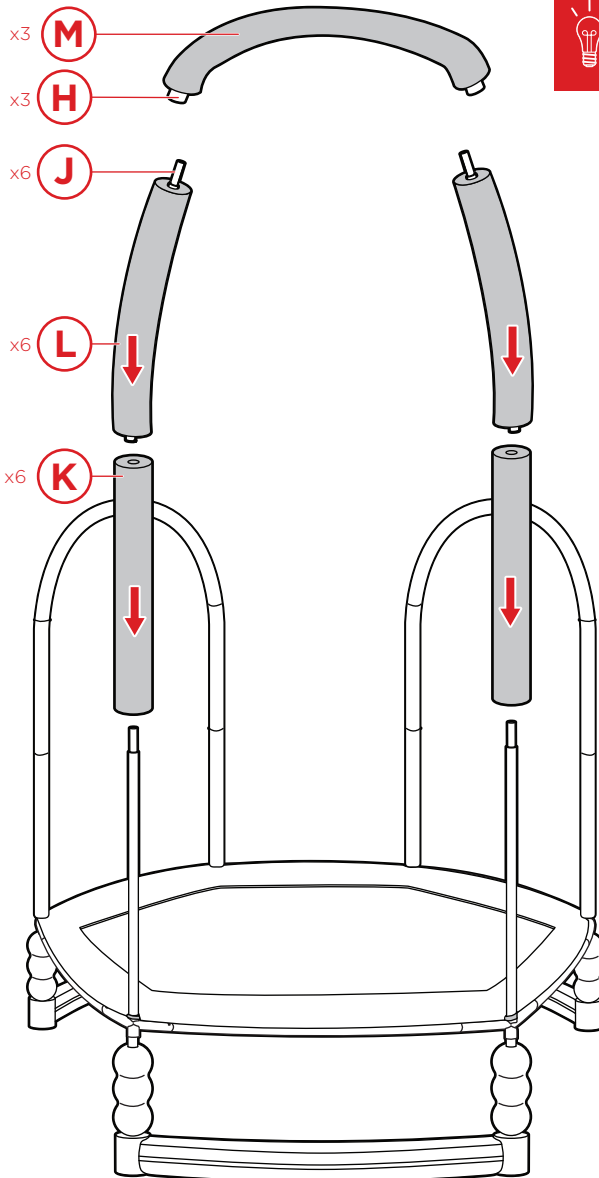


Attach springs at diagonals to spread out the bed, then fill in around the edge.

## PRODUCT ASSEMBLY

6

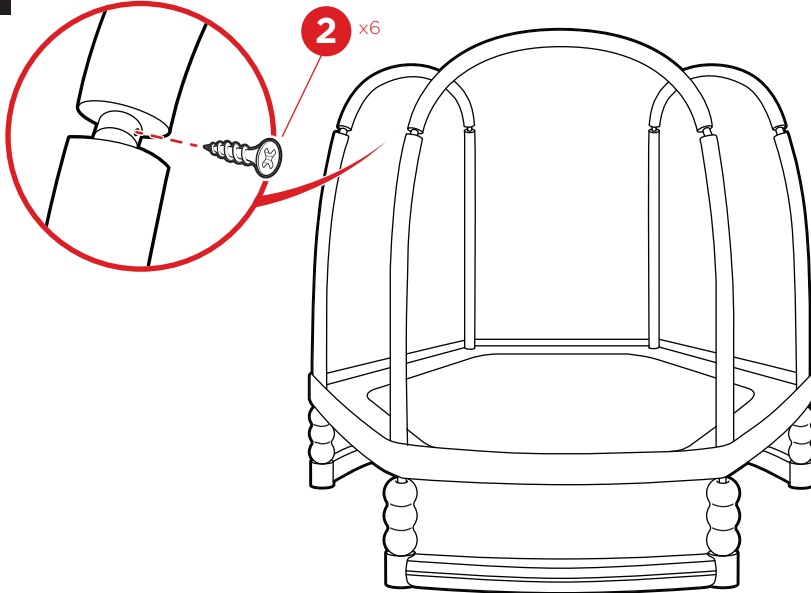
Slide six part K lower foam pieces onto the straight frames. Slide six part L middle foam pieces onto six part J curved frames, then insert them onto the straight frames. Slide three part M upper foam pieces onto three part H arch frames, then insert them onto the curved frames.



## PRODUCT ASSEMBLY

7

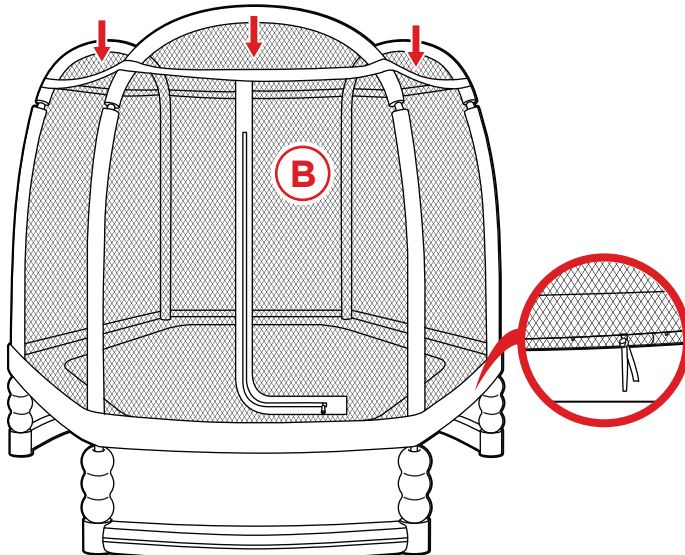
Align screw holes on the arch frames with the curved frames and secure with six part 2 screws.



8

Attach the part B enclosure net to the enclosure frame by sliding the three net pockets over the arch frames and securing the adhesive strips.

Pull the enclosure net down and tie the elastic straps to the trampoline frame.





# HELP CENTER



Question about your product? We're here to help. Visit us at:

[help.bestchoiceproducts.com](http://help.bestchoiceproducts.com)



Chat Support



Product Inquiry



Orders FAQ



Product Assembly



Returns & Refunds

## PRODUCT WARRANTY INFORMATION

All items can be returned for any reason within 60 days of the receipt and will receive a full refund as long as the item is returned in its original product packaging and all accessories from its original shipment are included. All returned items will receive a full refund back to the original payment method. All returned items will not be charged a re-stocking fee.

All returned items require an RA (Return Authorization) number, which can only be provided by a Best Choice Products Customer Service Representative when the return request is submitted. Items received without an RA may not be accepted or may increase your return processing time. Once an item has been received by Best Choice Products, refunds or replacements will be processed within 5 business days.

All returns must be shipped back to the Best Choice Products Return Center at the customer's expense. If the reason for return is a result of an error by Best Choice Products then Best Choice Products will provide a pre-paid shipping label via email. Boxes for return shipping will not be provided by Best Choice Products, and is the customer's responsibility to either use the original shipping boxes or purchase new boxes.

Pictures may be required for some returns to ensure an item is not damaged prior to its return. Items returned are not considered undamaged until they are received by Best Choice Products and verified as such. All damages to items are the customer's responsibility until the item has been received by and acknowledge by Best Choice Products as undamaged.

## WARNING

Manufacturer and seller expressly disclaim any and all liability for personal injury, property damage or loss, whether direct, indirect, or incidental, resulting from the incorrect attachment, improper use, inadequate maintenance, or neglect of this product.