

For Residential and Commercial Applications

Job Name:

Engineer/Architect:

Job Location:

Wholesaler:

Submittal Date:

Contractor:

PLB101/114X 1/4 Turn Push Connect Angle Stop – Compression Outlet

Use: For use only in potable water distribution systems, hot and cold, in accessible locations only.

STOP MATERIAL SPECIFICATIONS

Body	<i>Brass, plated</i>
Stem	<i>Brass</i>
Ball	<i>Brass, plated</i>
Gripper Ring	<i>Stainless steel</i>
Push Ring	<i>POM</i>
Seat Ring	<i>POM</i>
Lock Ring	<i>POM</i>
Seats	<i>PTFE</i>
O-Rings	<i>Rubber</i>
Handle	<i>ABS, plated</i>
Screw	<i>Stainless steel</i>
Compression Nut	<i>Brass, plated</i>
Compression Ring	<i>Brass</i>
Tube Stiffener	<i>Plastic</i>
Adapter	<i>Brass, plated</i>



Operating Specifications

Temperature	Pressure
Intermittent 40°- 160° F	125 PSI maximum

Part Listing:

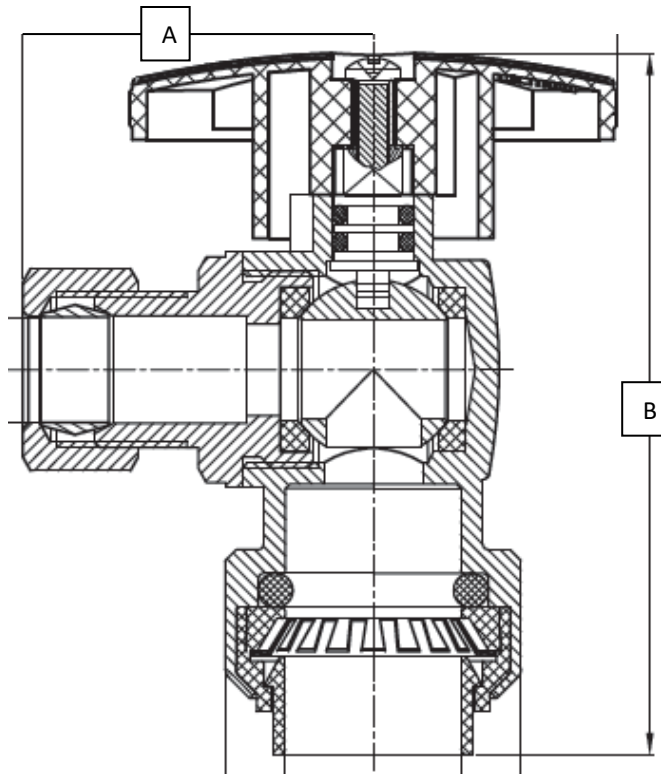
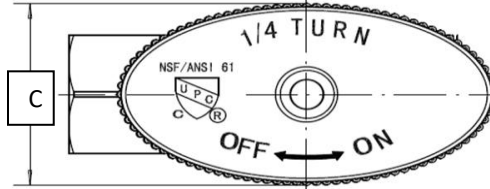
- PLB101X B 1/2" Nom Push Connect x 3/8" OD Compression, Chrome Plated, Bulk
- PLB101X P 1/2" Nom Push Connect x 3/8" OD Compression, Chrome Plated, Bagged
- PLB114X P 1/2" Nom Push Connect x 1/4" OD Compression, Chrome Plated, Bagged

This specification and all information contained herein is the confidential and exclusive property of BrassCraft Manufacturing Company and shall not be disclosed to others without the written consent of BrassCraft. This specification must be returned to BrassCraft if requested.

**Products shown may differ from those available in the Canadian market.*

PLB101/114X 1/4 Turn Push Connect Angle Stop – Compression Outlet

PART DIMENSIONS (Inches)			
Model	DIM. A	DIM. B	DIM. C
PLB101X	1.12	2.48	.94
PLB114X	1.12	2.36	.94



Listings & Certifications:

- IAPMO listed to ASME A112.18.1 / CSA B125.1 (includes NSF/ANSI 372 and NSF/ANSI/CAN 61)



This specification and all information contained herein is the confidential and exclusive property of BrassCraft Manufacturing Company and shall not be disclosed to others without the written consent of BrassCraft. This specification must be returned to BrassCraft if requested.

**Products shown may differ from those available in the Canadian market.*