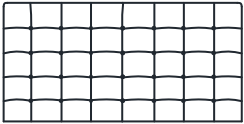
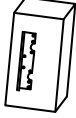
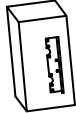






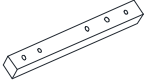
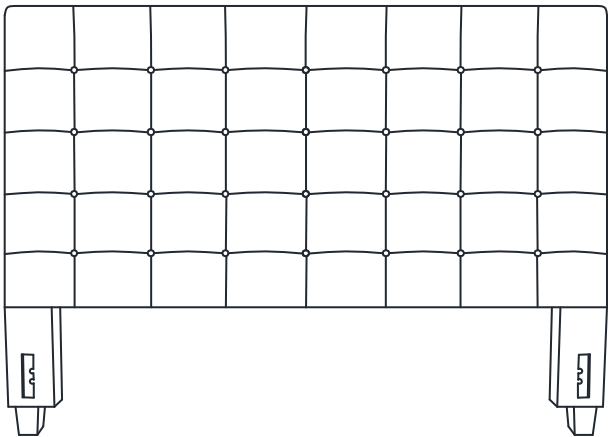


ASSEMBLY INSTRUCTION

FULL/QUEEN/EASTERN KING TUFTED HEADBOARD

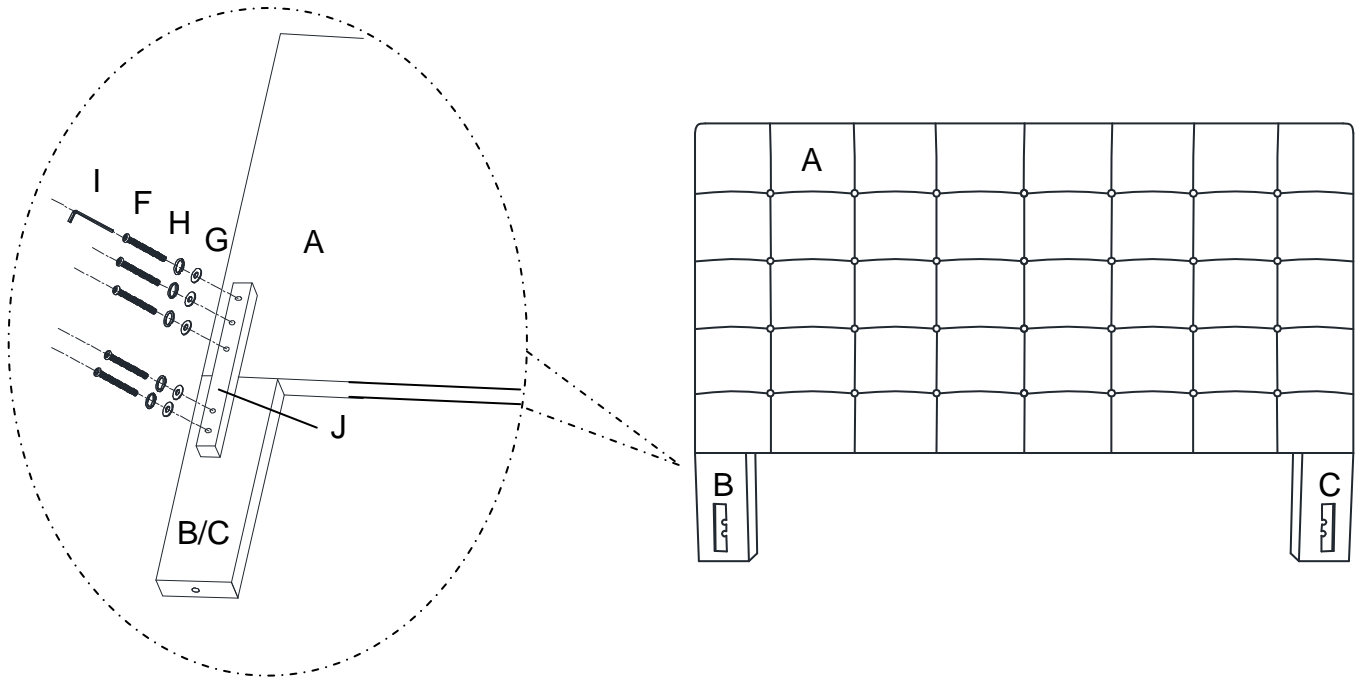
A Headboard  1pc	B Left Wooden Frame  1pc	C Right Wooden Frame  1pc	D Wooden Leg  2pcs	E Bolt 1/4" x 78mm  2pcs
F Bolt 1/4" x 65mm  10pcs	G Flat Washer  12pcs	H Lock Washer  12pcs	I Allen Wrench  1pc	J Slate  2pcs



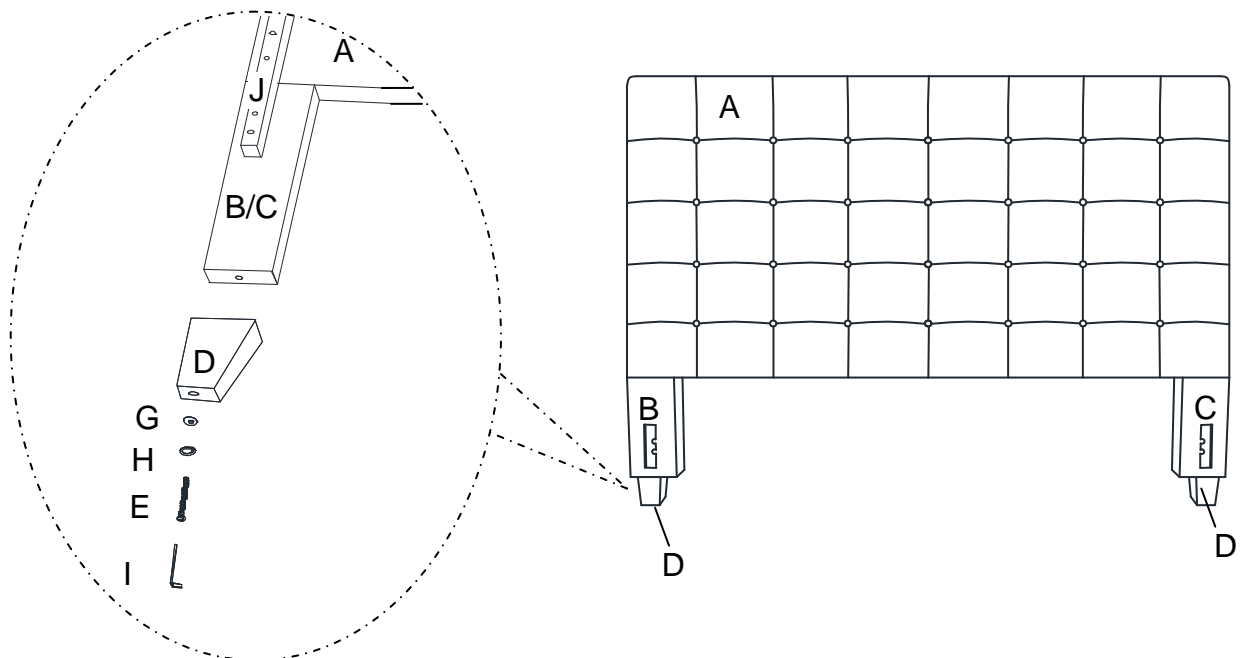
This page lists all the contents included in the box. Please take the time to identify the hardware as well as the individual components to this product. As you unpack and prepare for assembly, place the contents on a carpeted or padded area to protect them from damage.

1

Attached Left Wooden Frame (B) and Right Wooden Frame (C) to the Headboard (A) use Bolt (F), Lock Washer (H) and Flat Washer (G) on holes of Slates (J). Turn the Allen Wrench (I) in Bolt (F).

**2**

Attached Wooden Leg (D) to the Wooden Frame (B) (C) use Bolt (E), Lock Washer (H) and Flat Washer (G) on both of holes. Turn the Allen Wrench (I) in Bolt (E).



Cleaning & Care

Treat surface with care. Surface is resistant to scratches but is not scratch resistant. Clean surfaces with a dry or damp soft cloth. Do not use abrasive cleaners. Hardware may loosen over time. Periodically check that all connections are tight.