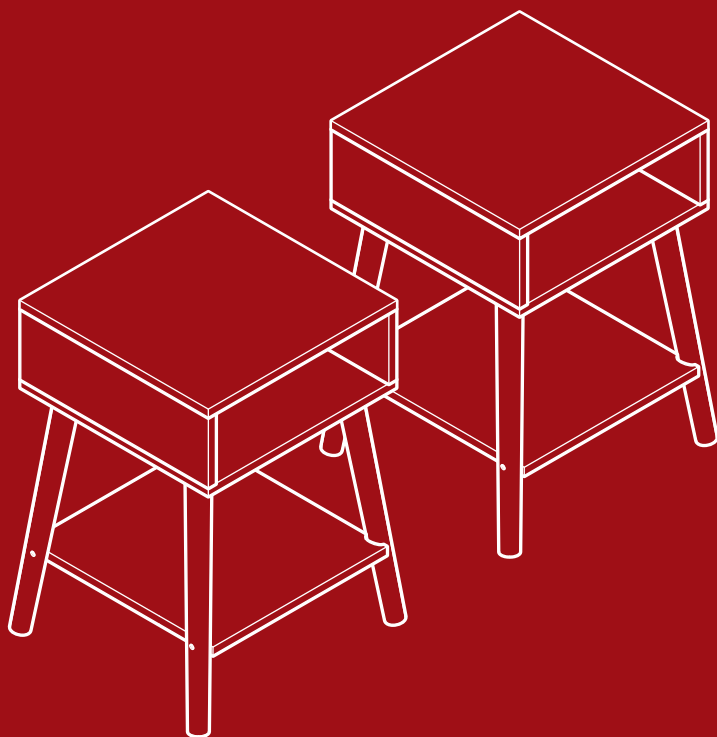




BEST CHOICE
PRODUCTS



INSTRUCTION MANUAL

Set of 2 End Tables



**BEST CHOICE
PRODUCTS**

As shoppers, we're always trying to find the perfect balance between quality & value. At BCP, we believe we've achieved that. Our diverse catalog of everyday essentials is tailored especially to our customers & guaranteed to hit that sweet spot of high quality & low price.

— Always. —



7 LBS
TABLETOP
CAPACITY



9 LBS
CUBBY
CAPACITY



7 LBS
LOWER SHELF
CAPACITY



2 PERSON
ASSEMBLY



UP TO 30 MIN.
ASSEMBLY

! NOTICE

Please retain these instructions for future reference.

- Firmly secure all bolts, screws and knobs before use.
- Reconfirm that all bolts, screws, and knobs are secure every 90 days.
- Do not use or store this item in the proximity of open flame or flammable/combustible chemicals.
- Always lay components on a clean, soft-cushioned surface during assembly.
- Improper installation may cause damage to the product.
- Product is intended for indoor use only.
- If any parts are missing, broken, damaged, or worn, stop using this item until repairs are made and/or factory replacement parts are installed.
- Do not use this item in a way inconsistent with the manufacturer's instructions as this could void the product warranty.
- To wipe down the furniture, use a damp cloth. Then, wipe it down once more with a dry cloth.
- Be aware that extra hardware may be included.
- This product is intended for residential use only.

TOOLS REQUIRED



PHILLIPS
SCREWDRIVER
(NOT PROVIDED)



POWER DRILL
(RECOMMENDED)



ALLEN WRENCH
(PROVIDED)

HARDWARE

1 M6 x 35mm
CAM BOLT



4 PCS

2 M15 x 10mm
CAM LOCK



4 PCS

3 M6 x 30mm
DOWEL



8 PCS

4 M4 x 35mm
SCREW



4 PCS

5 CUBBY SCREW



4 PCS

6 LOWER LEG
SCREW



4 PCS

7 FASTENER
COVER I



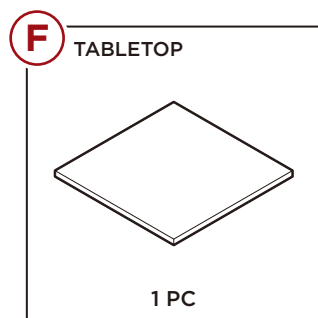
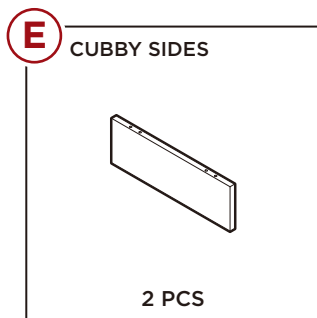
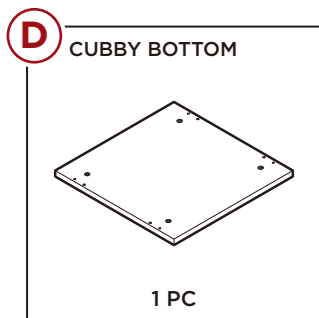
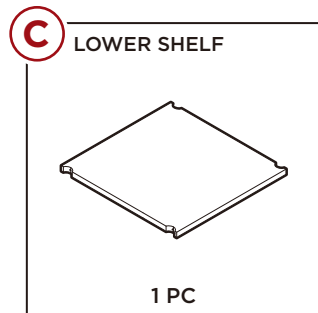
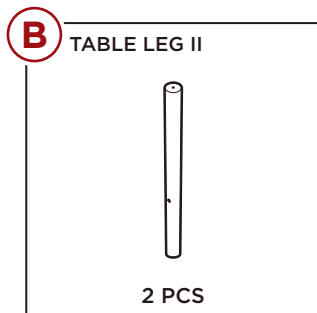
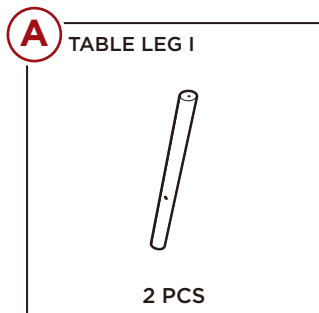
8 PCS

8 FASTENER
COVER II



4 PCS

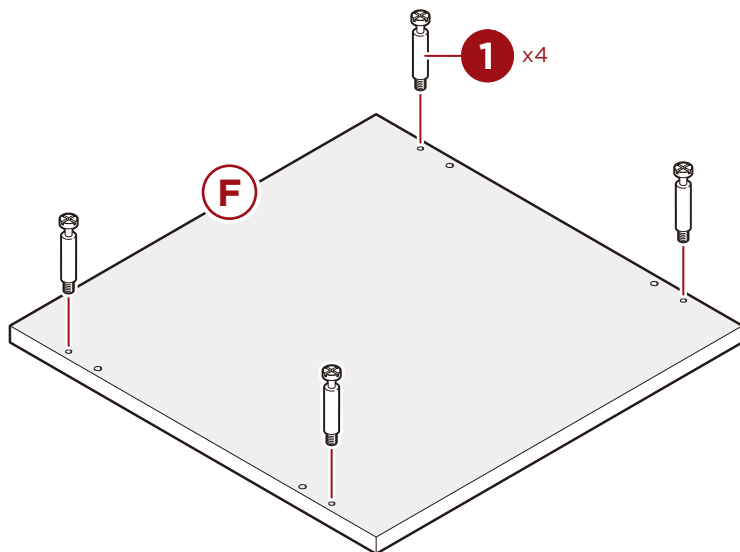
PARTS



PRODUCT ASSEMBLY

1

Insert four **part 1 cam bolts** into the bottom of the **part F tabletop**.

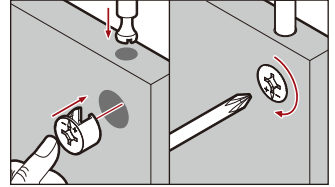
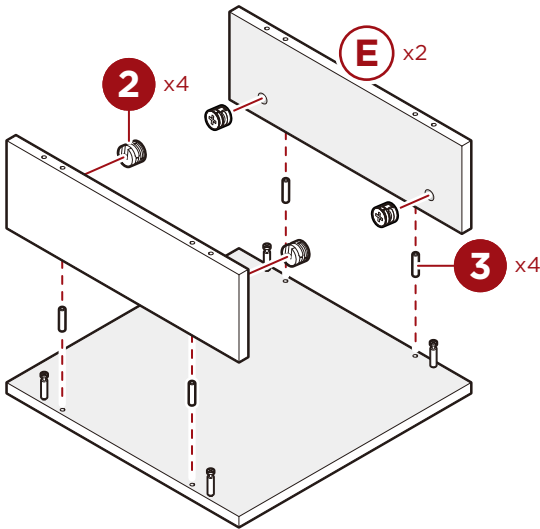


PRODUCT ASSEMBLY

2

Insert four **part 3 dowels** and four **part 2 cam locks** into two **part E cubby sides**, two locks and two dowels per cubby side.

Attach the two cubby sides to the **part F tabletop** bottom and secure by turning the cam locks.



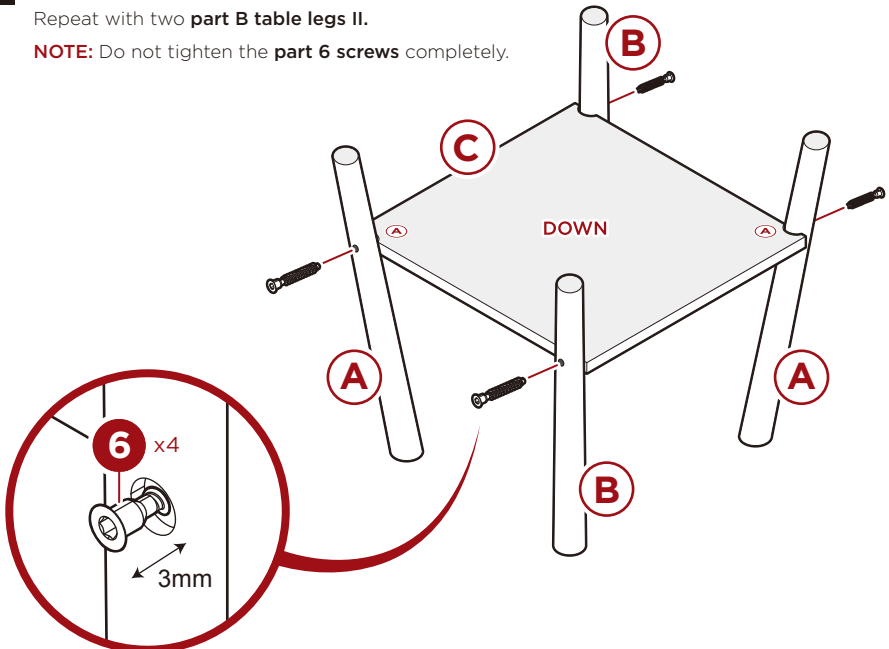
Use a screwdriver to turn the cam lock to secure the cam bolt.

3

Loosely attach two **part A table legs I** to the **part C lower shelf** with two **part 6 screws**; attach the legs in opposite corners on the shelf.

Repeat with two **part B table legs II**.

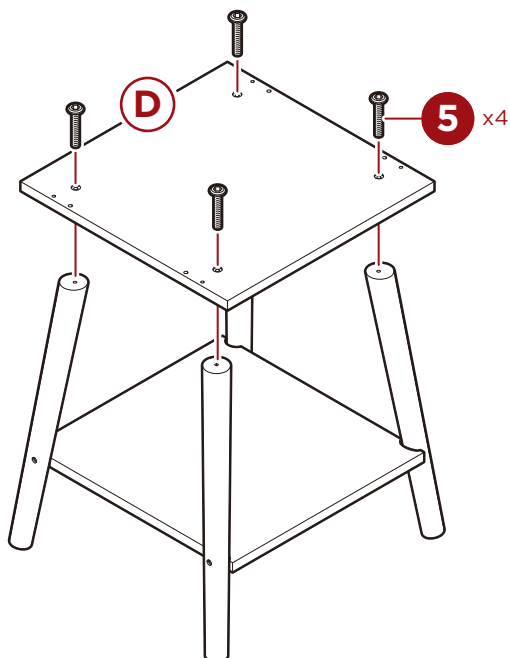
NOTE: Do not tighten the **part 6 screws** completely.



PRODUCT ASSEMBLY

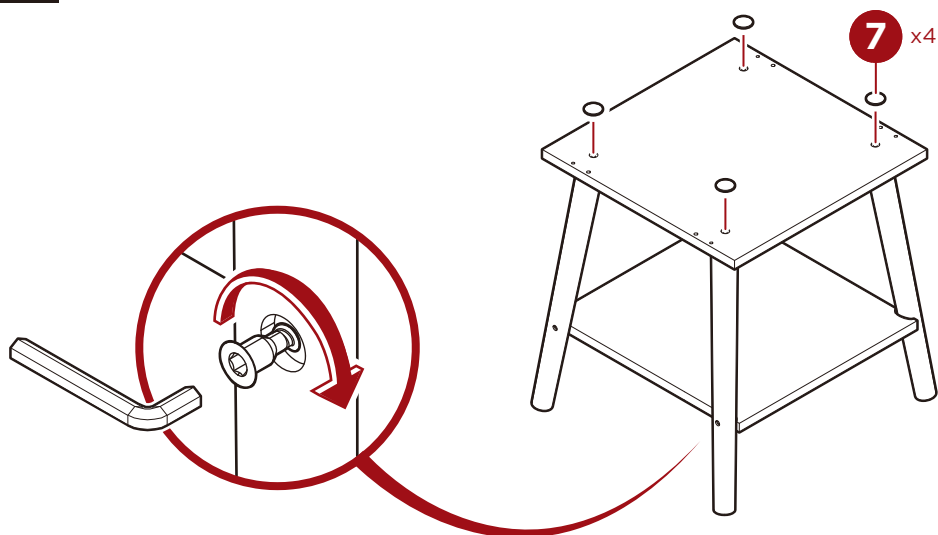
4

Attach the **part D** cubby bottom to the **part A** and **B** table legs with four **part 5** screws.



5

Place four **part 7** fastener covers over the **part 5** screw heads, then tighten the **part 6** leg screws completely.



PRODUCT ASSEMBLY

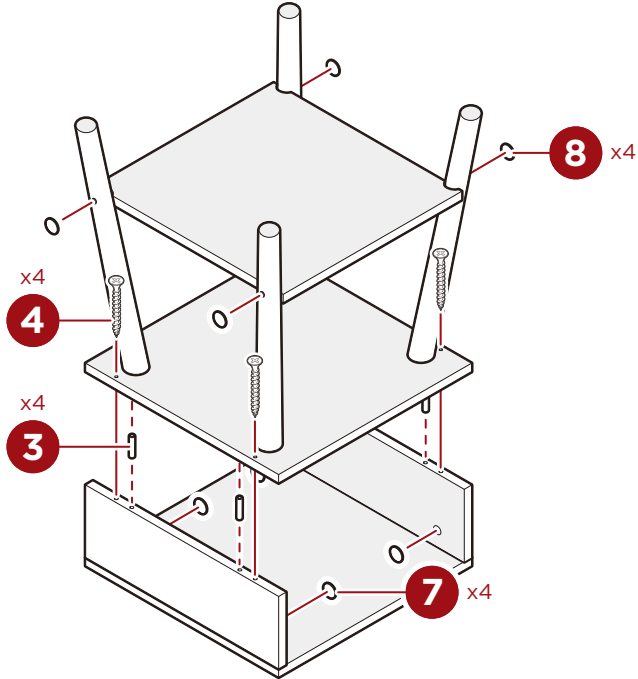
6

Insert four **part 3 dowels** into the **part D cubby bottom**.

Cover the **part 6 leg screw heads** with four **part 8 fastener covers II**.

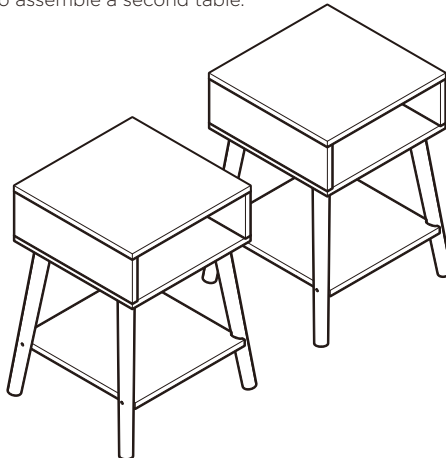
Cover the **part 2 cam locks** on the inner faces of the **part E cubby sides** with four **part 7 fastener covers**.

Place the **part F tabletop** face down, attach the **part D cubby bottom** to the **part E cubby sides** with four **part 4 screws**.



7

Repeat steps 1-6 to assemble a second table.





HELP CENTER



Question about your product? We're here to help. Visit us at:

help.bestchoiceproducts.com



Chat Support



Product Inquiry



Orders FAQ



Product Assembly



Returns & Refunds

PRODUCT WARRANTY INFORMATION

All items can be returned for any reason within 60 days of the receipt and will receive a full refund as long as the item is returned in its original product packaging and all accessories from its original shipment are included. All returned items will receive a full refund back to the original payment method. All returned items will not be charged a re-stocking fee.

All returned items require an RA (Return Authorization) number, which can only be provided by a Best Choice Products Customer Service Representative when the return request is submitted. Items received without an RA may not be accepted or may increase your return processing time. Once an item has been received by Best Choice Products, refunds or replacements will be processed within 5 business days.

All returns must be shipped back to the Best Choice Products Return Center at the customer's expense. If the reason for return is a result of an error by Best Choice Products then Best Choice Products will provide a pre-paid shipping label via email. Boxes for return shipping will not be provided by Best Choice Products, and is the customer's responsibility to either use the original shipping boxes or purchase new boxes.

Pictures may be required for some returns to ensure an item is not damaged prior to its return. Items returned are not considered undamaged until they are received by Best Choice Products and verified as such. All damages to items are the customer's responsibility until the item has been received by and acknowledged by Best Choice Products as undamaged.

© 2023 Best Choice Products, Inc. All rights reserved. Distributed by Best Choice Products, Inc. Tustin, CA 92780

WARNING

Manufacturer and seller expressly disclaim any and all liability for personal injury, property damage or loss, whether direct, indirect, or incidental, resulting from the incorrect attachment, improper use, inadequate maintenance, unapproved modification, or neglect of this product.