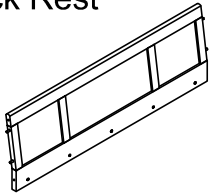


ASSEMBLY INSTRUCTION

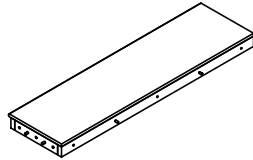
BENCH WITH CURVED ARMS

A Back Rest



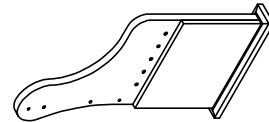
1 pc

B Seat



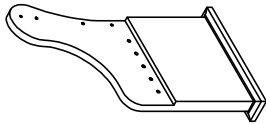
1 pc

C Right Leg



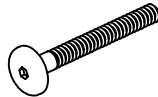
1 pc

D Left Leg



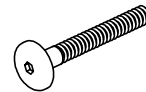
1 pc

E Bolt 2"



9 pcs

F Bolt 1-1/2"



4 pcs

G Lock Washer $\text{\O}1/4"$



9 pcs

H Flat Washer $\text{\O}1/4"$



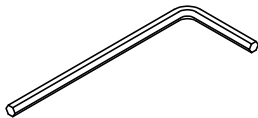
9 pcs

I Trim $\text{\O}14.5 \times 8\text{mmH}$

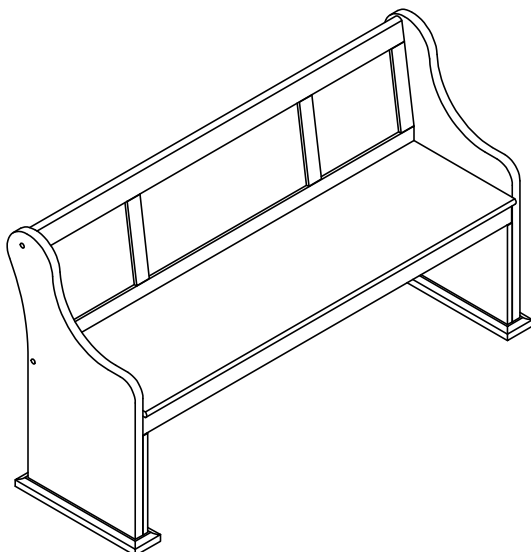


4 pcs

J Allen Wrench 4mm



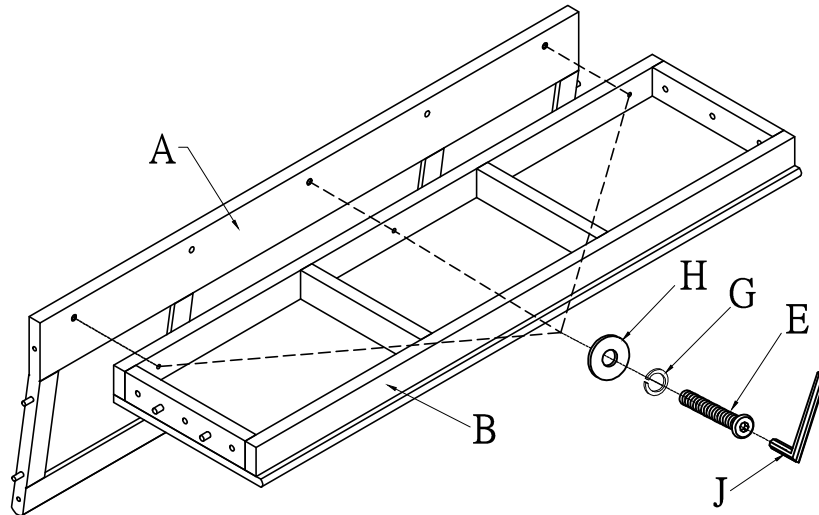
1 pc



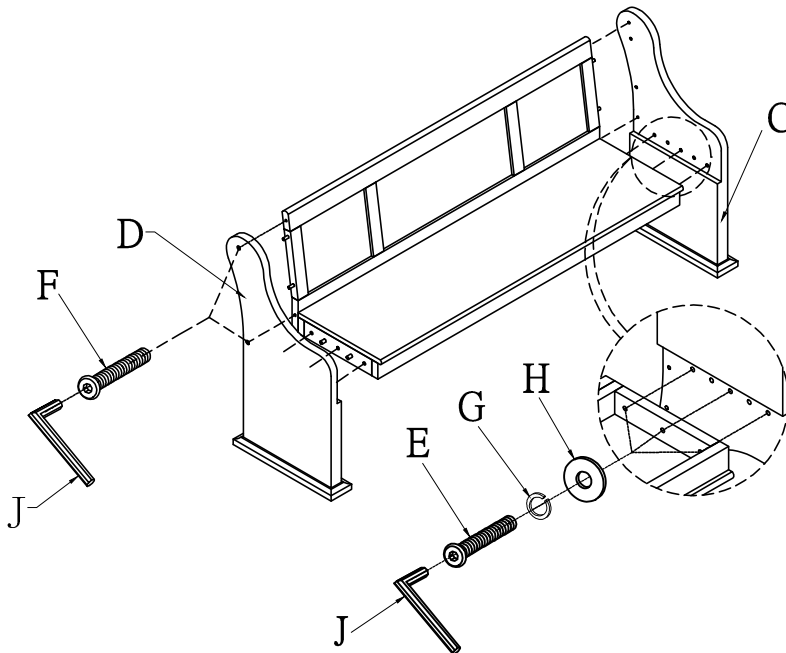
This page lists all the contents included in the box. Please take the time to identify the hardware as well as the individual components to this product. As you unpack and prepare for assembly, place the contents on a carpeted or padded area to protect them from damage.

1

Place the Back Rest (A) upside down smooth carpet surface. Tighten the Seat (B) on the corner blocks by Bolts(E), Lock Washers(G) and flat washers(H) with Allen Wrench(J).

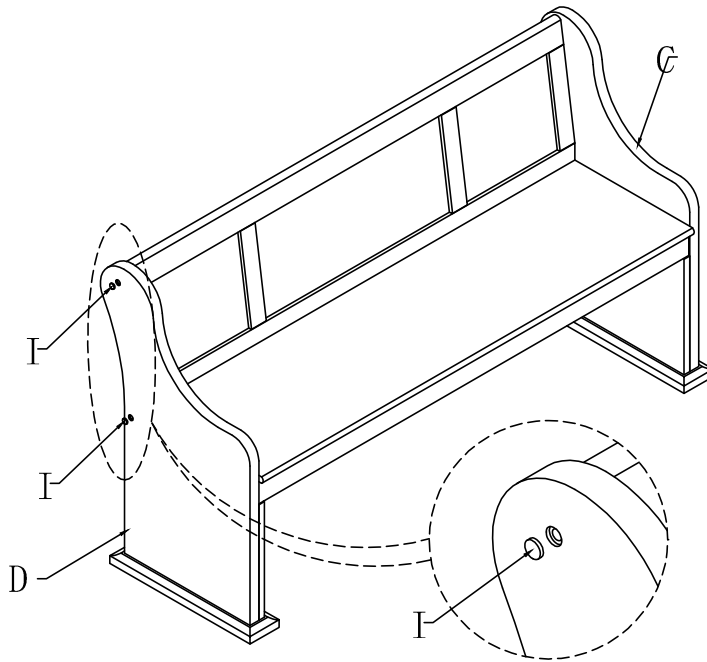
**2**

Tighten the Back Rest (A) Seat (B) Legs(C)(D) by Bolt (F) and Bolt(E)Lock Washer(G) Flat Washer(H)with Allen Wrench(J).



3

Insert the Trims(I) into the Legs(C)&(D)



Cleaning & Care

Treat surface with care. Surface is resistant to scratches but is not scratch resistant. Clean surfaces with a dry or damp soft cloth. Do not use abrasive cleaners. Hardware may loosen over time. Periodically check that all connections are tight.