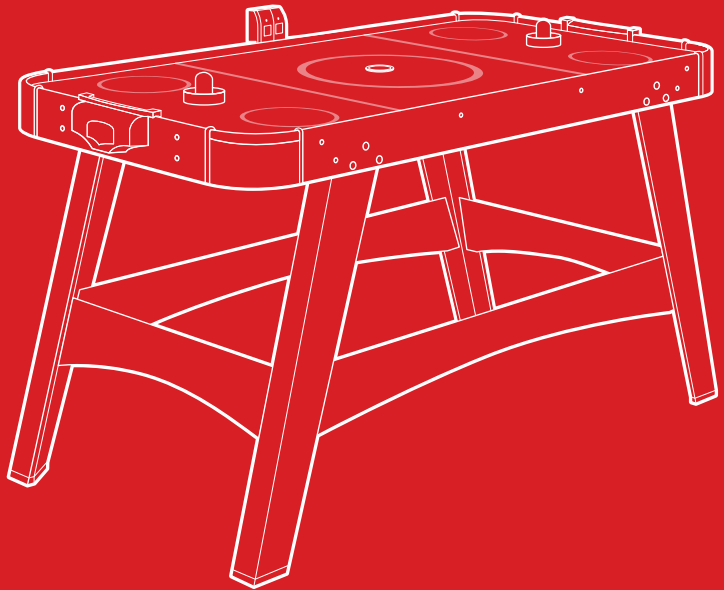




BEST CHOICE  
PRODUCTS



# INSTRUCTION MANUAL

---

54-Inch Air Hockey Table

# ⚠ WARNING

ADULT ASSEMBLY REQUIRED

## ! NOTICE

Please retain these instructions for future reference.

- Do not stand on or use any part of this set as a step ladder.
- Firmly secure all bolts, screws, and knobs before use.
- Reconfirm that all bolts, screws, and knobs are secure every 90 days.
- Be aware that some parts are heavy and have sharp edges.
- Do not use or store this item in the proximity of open flame or flammable/combustible chemicals.
- If any parts are missing, broken, damaged, or worn, stop using this product until repairs are made and/or factory replacement parts are installed.
- Do not use this item in a way inconsistent with the manufacturer's instructions as this could void the product warranty.

**AGE RANGE:** 8 years old and up

## ⚠ WARNING

- Do not obstruct the fan as this could damage the motor.
- Do not attempt to repair any electrical components; this may cause further damage or bodily harm.
- This item contains small parts; use caution to avoid choking hazard.
- Do not attempt to remove the fan under any circumstances.
- If the game is not used for an extended period, remove the batteries from the electronic scoreboard.

## TOOLS REQUIRED



ALLEN WRENCH  
(PROVIDED)



PHILLIPS  
SCREWDRIVER



2 AAA BATTERIES

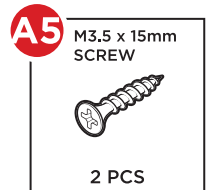
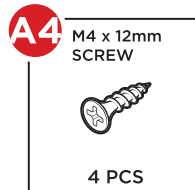
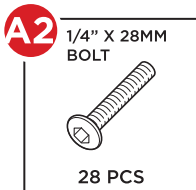


2 PERSON  
ASSEMBLY

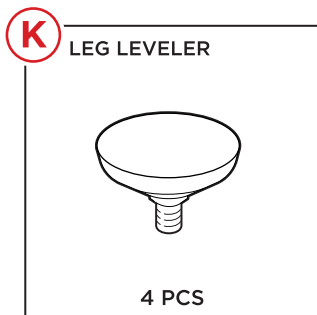
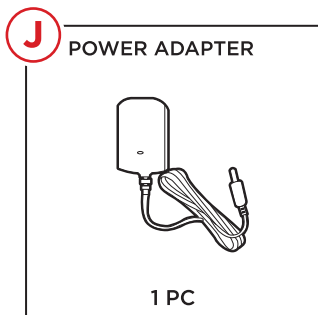
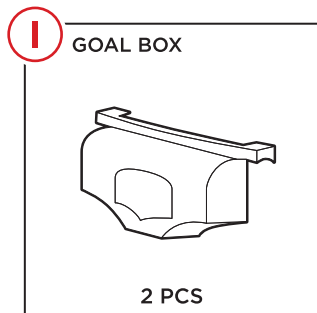
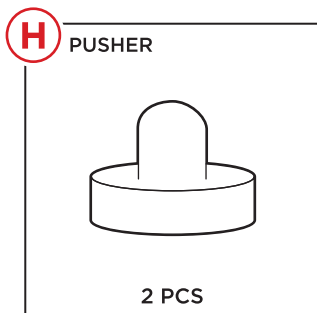
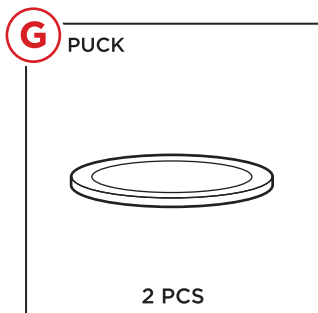
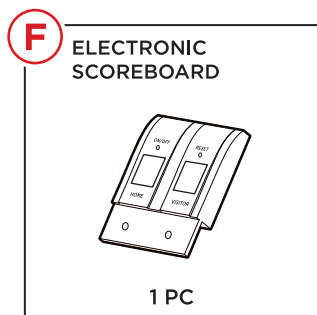
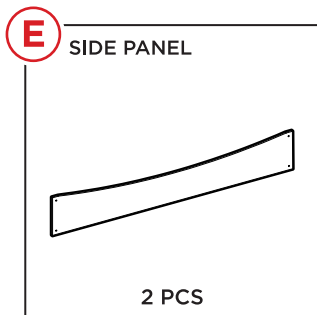
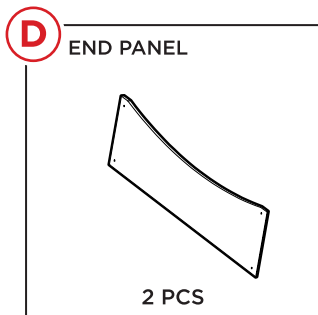
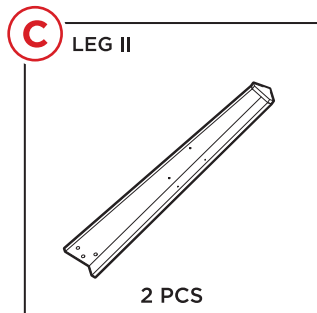
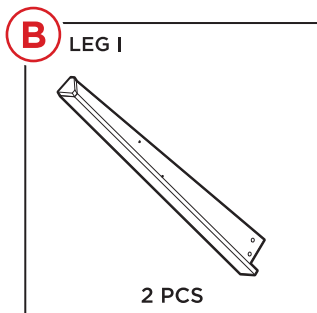
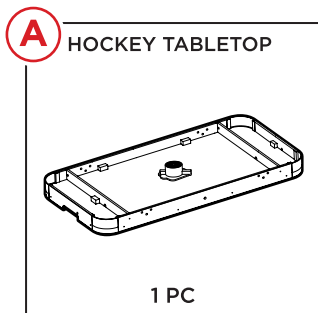


APPROXIMATELY  
45 MIN.  
ASSEMBLY

## HARDWARE



# PARTS



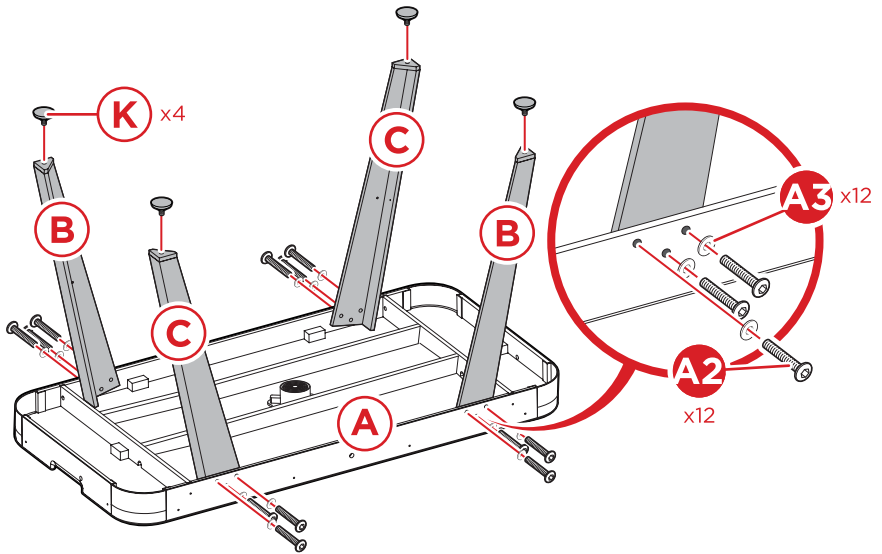
## PRODUCT ASSEMBLY

1

Flip the **part A hockey tabletop** and lay it on a flat surface.

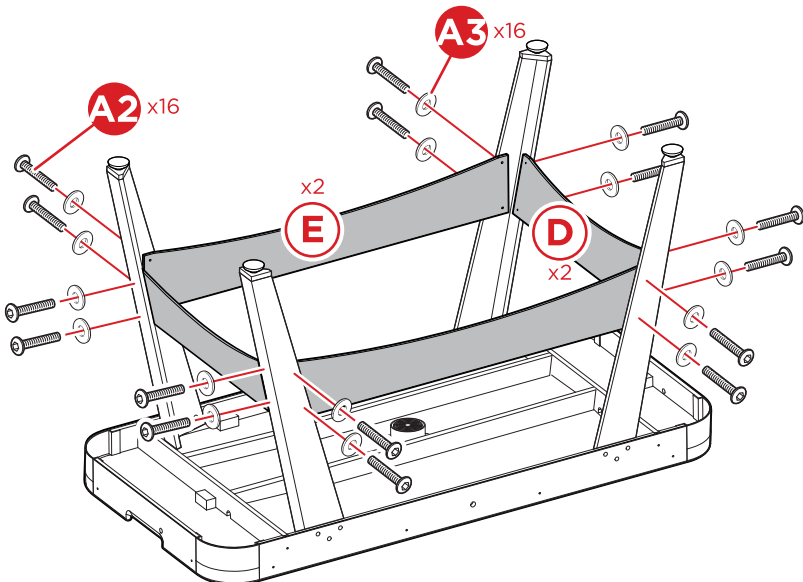
Attach **four part B** and **part C legs** with twelve **part A2 bolts** and twelve **part A3 washers**.

Screw four **part K leg levelers** into the bottom of each leg.



2

Attach two **part D end panels** and two **part E side panels** with sixteen **part A2 bolts** and sixteen **part A3 washers**.

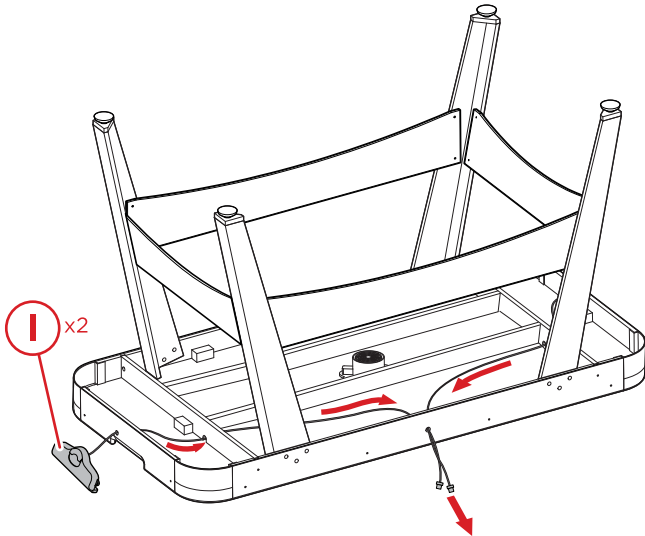


## PRODUCT ASSEMBLY

3

Route the wires from two **part I goal boxes** through opposite ends of the hockey tabletop and out the opening on the side.

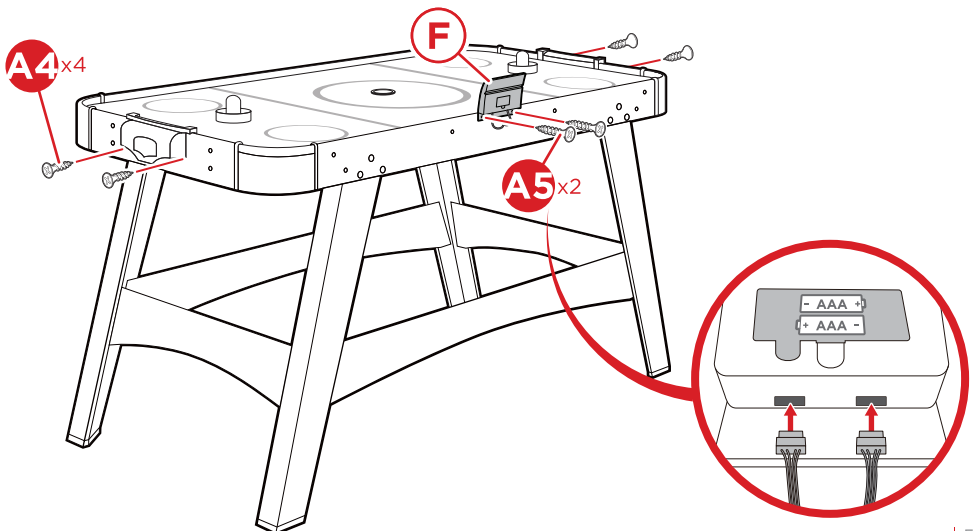
With two people, carefully flip the table onto its legs.



4

Attach the goal boxes with four **part A4 screws**. Insert the two wires from the goal boxes into the **part F electronic scoreboard**. Make sure the wires are inserted into their corresponding side.

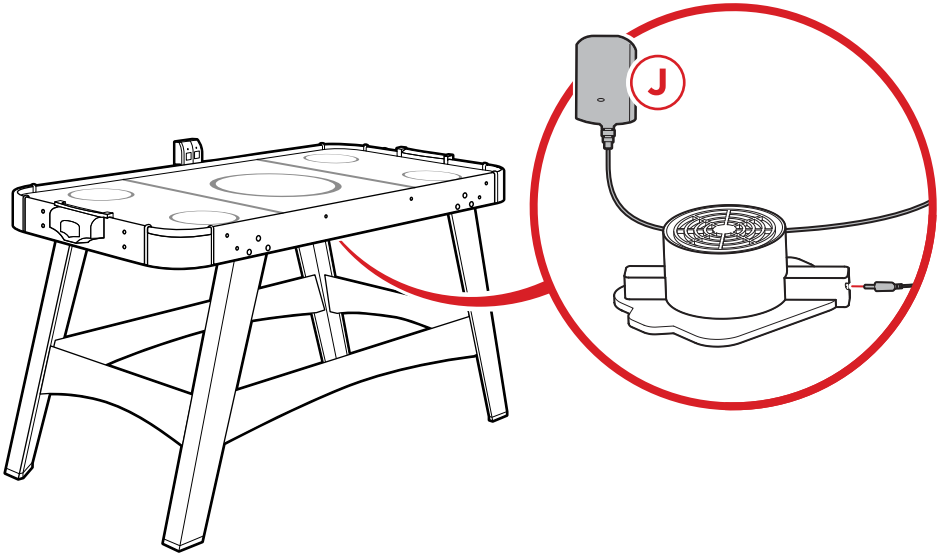
Attach the electronic scoreboard with two **part A5 screws**. Remove the battery cover and install two AAA batteries.



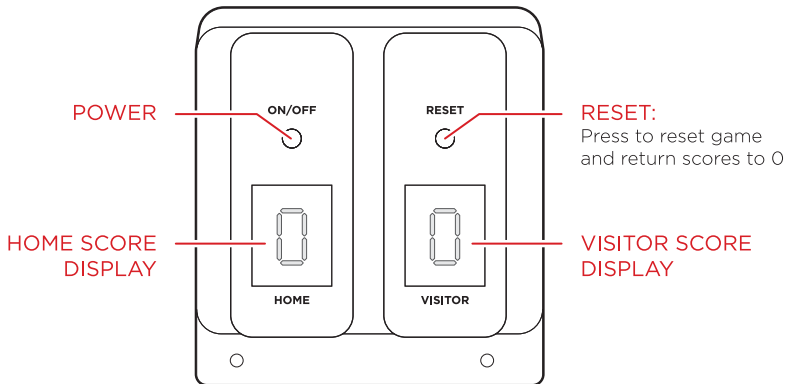
## PRODUCT ASSEMBLY

5

Insert the **part J power adaptor** into the fan motor under the hockey tabletop.



## ELECTRONIC SCOREBOARD



## GAMEPLAY INSTRUCTIONS

1. Press the power button to turn on the electronic scoreboard.
  2. When the “Home” player scores, the “Home” score display increases by 1 point.  
When the “Visitor” player scores, the “Visitor” score display increases by 1 point.
  3. The first player to reach 10 points wins the game.
- NOTE:** The scoreboard cannot display 10 points. The winner’s score display will stay at 9 and flash for several seconds.
4. Press the reset button to start a new game.

## WARNINGS REGARDING BATTERIES

- Do not mix alkaline, standard (Carbon Zinc) and rechargeable (Nickel Cadmium, Nickel Metal Hydride, or Lithium Ion) batteries.
- To optimize lifespan, remove battery from product if it will not be used for an extended period of time.
- Do not mix old and new batteries.
- Do not attempt to charge non-rechargeable batteries as this may result in rupture or leakage and cause personal injury or property damage.
- Battery installation, replacement, or charging should be handled by adults.
- Exhausted batteries should be removed and disposed of in accordance with local, state, and federal regulations.
- The supply terminals should not be short-circuited.
- Do not put batteries next to or in a heat source (fire, electronic heating device, etc.)
- Do not hit batteries against hard objects.
- Do not submerge batteries in water.
- Batteries should be inserted with the correct polarity (+ -).



# HELP CENTER



Question about your product? We're here to help. Visit us at:

[help.bestchoiceproducts.com](http://help.bestchoiceproducts.com)



Chat Support



Product Inquiry



Orders FAQ



Product Assembly



Returns & Refunds

## PRODUCT WARRANTY INFORMATION

All items can be returned for any reason within 60 days of the receipt and will receive a full refund as long as the item is returned in its original product packaging and all accessories from its original shipment are included. All returned items will receive a full refund back to the original payment method. All returned items will not be charged a re-stocking fee.

All returned items require an RA (Return Authorization) number, which can only be provided by a Best Choice Products Customer Service Representative when the return request is submitted. Items received without an RA may not be accepted or may increase your return processing time. Once an item has been received by Best Choice Products, refunds or replacements will be processed within 5 business days.

All returns must be shipped back to the Best Choice Products Return Center at the customer's expense. If the reason for return is a result of an error by Best Choice Products then Best Choice Products will provide a pre-paid shipping label via email. Boxes for return shipping will not be provided by Best Choice Products, and is the customer's responsibility to either use the original shipping boxes or purchase new boxes.

Pictures may be required for some returns to ensure an item is not damaged prior to its return. Items returned are not considered undamaged until they are received by Best Choice Products and verified as such. All damages to items are the customer's responsibility until the item has been received by and acknowledge by Best Choice Products as undamaged.



## WARNING

Manufacturer and seller expressly disclaim any and all liability for personal injury, property damage or loss, whether direct, indirect, or incidental, resulting from the incorrect attachment, improper use, inadequate maintenance, or neglect of this product.