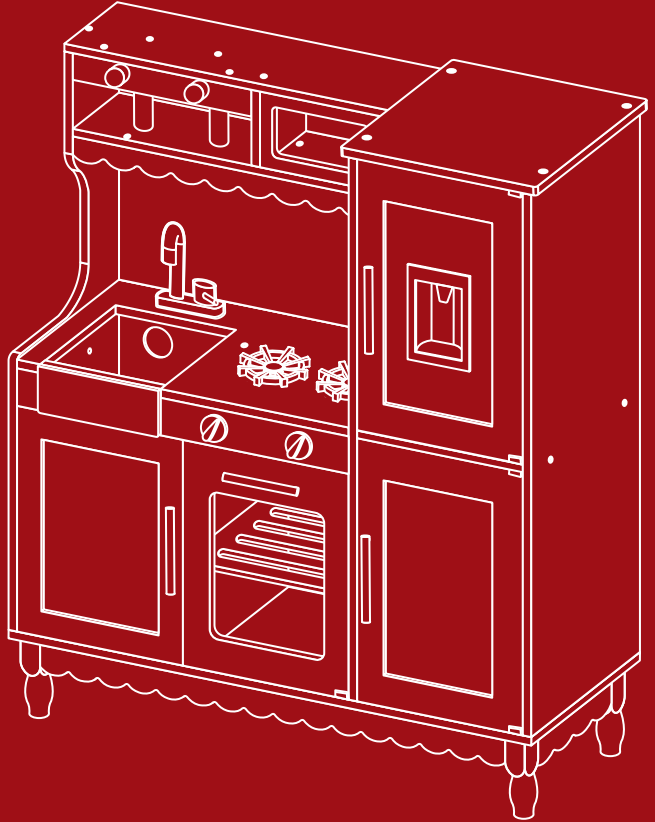




BEST CHOICE
PRODUCTS



INSTRUCTION MANUAL

Cottage Kitchen Playset w/ Refrigerator,
Oven, Microwave, & Coffee Maker

⚠ WARNING
ADULT ASSEMBLY REQUIRED

⚠ WARNING
CHOKING HAZARD - Small parts.
Not for children under 3 years old.

⚠ NOTICE Please retain these instructions for future reference.

- This product requires adult assembly and supervision when in use.
- This product is intended for indoor use only.
- Do not stand on or use any part of this item as a step ladder.
- Firmly secure all bolts, screws and knobs before use.
- Reconfirm that all bolts, screws, and knobs are secure every 90 days.
- Do not use or store this item in the proximity of open flame or flammable/combustible chemicals.
- If any parts are missing, broken, damaged, or worn, stop using this item until repairs are made and/or factory replacement parts are installed.
- Do not use this item in a way inconsistent with the manufacturer's instructions as this could void the product warranty.
- This product contains small parts. May result in choking hazard for children under 3 years.
- To wipe down item, use a damp cloth. Then, wipe it down once more with a dry cloth.
- This product is intended for residential use only.

⚠ WARNING

- This product requires adult assembly and supervision when in use.
- This product contains small parts. May result in choking hazard for children under 3 years.
- Fasten screws loosely during initial assembly. Do not firmly tighten the screws until the item is completely assembled.
- Do not use or store this item in the proximity of open flame or flammable/combustible chemicals and substance.
- Be aware that some parts are heavy or have sharp edges.
- Do not use this item in a way inconsistent with manufacturer's instructions as this could void the product warranty.
- Strangulation Hazard - Hooks may catch on clothing or accessories.
- Do not allow children to climb or sit on the play kitchen.
- Secure the product firmly to a wall using the provided anti-tip kit.
- Intended for children ages 3 and up only.
- Keep away from cribs, cords, or other furniture that could entangle the child.
- Hooks are for toy use only. Do not hang real kitchen utensils or heavy items.

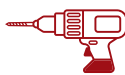
TOOLS REQUIRED



**PHILLIPS
SCREWDRIVER
(NOT PROVIDED)**



**HAMMER
(NOT PROVIDED)**



**DRILL
(OPTIONAL)**



**3 YEARS
OLD AND UP**

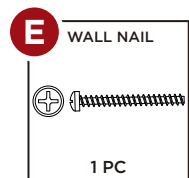
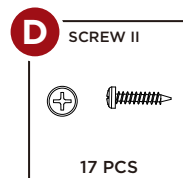
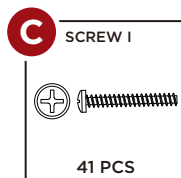
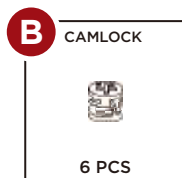
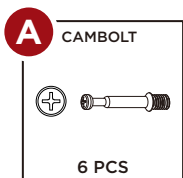


**2 PERSON
ASSEMBLY**

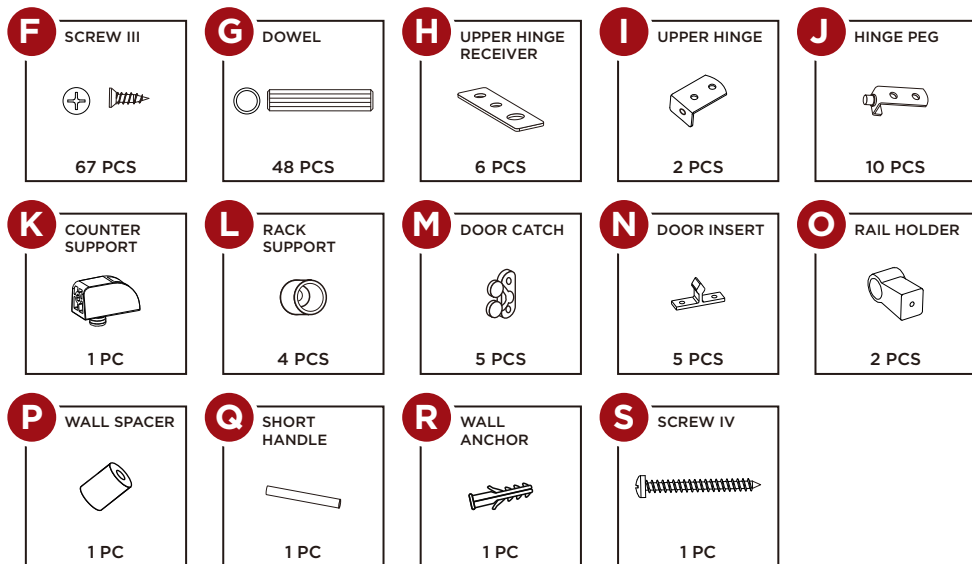


**UP TO 120 MIN.
ASSEMBLY**

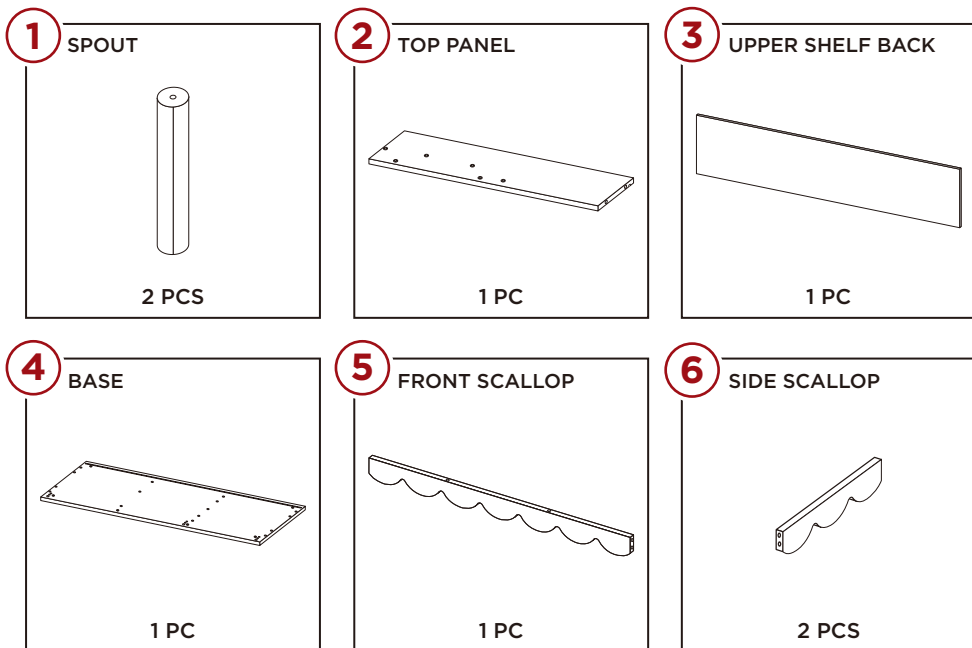
HARDWARE



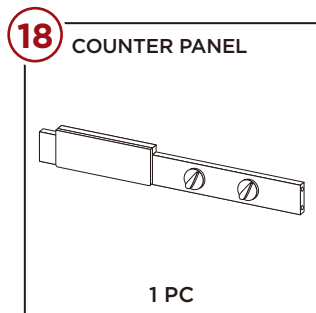
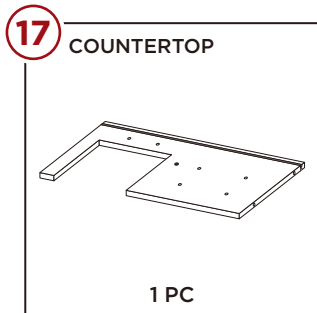
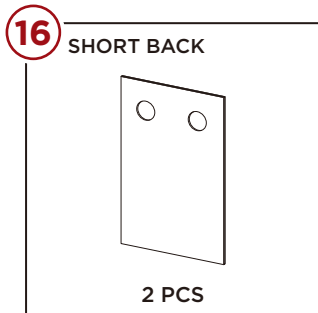
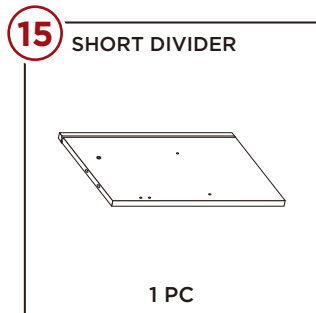
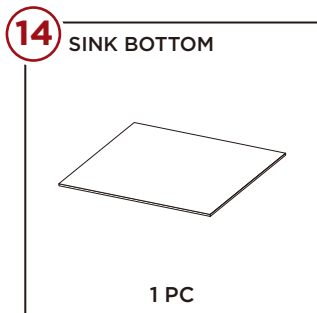
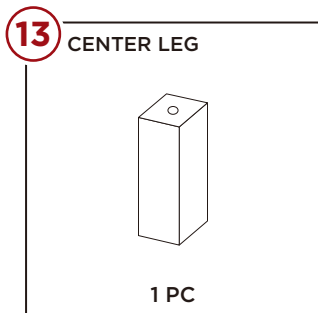
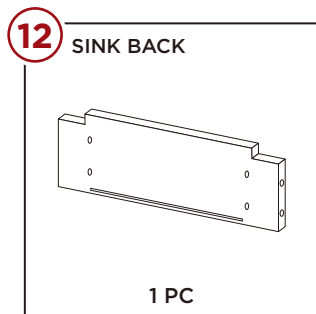
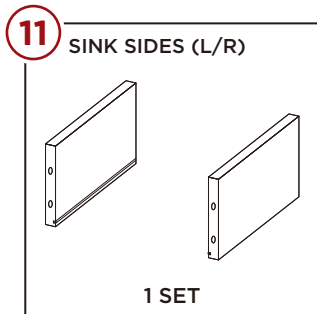
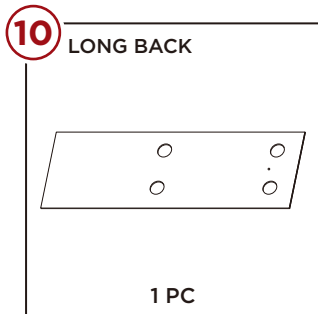
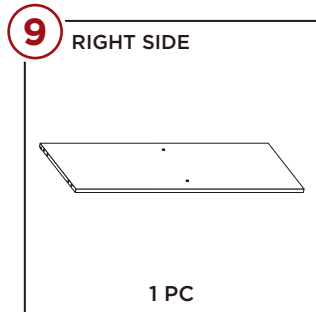
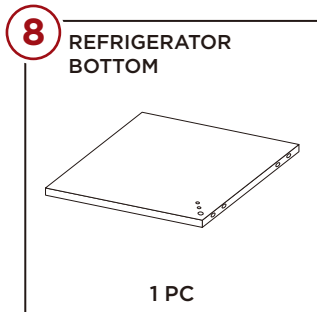
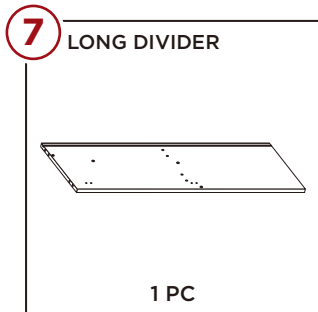
HARDWARE



PARTS

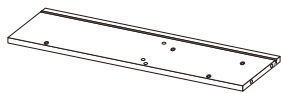


PARTS



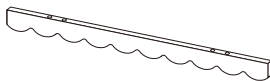
PARTS

19 UPPER SHELF



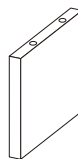
1 PC

20 UPPER SHELF SCALLOP



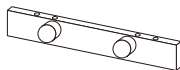
1 PC

21 SHELF DIVIDER



1 PC

22 COFFEE MAKER FRONT



1 PC

23 FRONT LEG



2 PCS

24 BACK LEG I



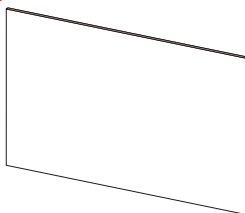
1 PC

25 BACK LEG II



1 PC

26 COUNTERTOP BACK



1 PC

27 RAIL



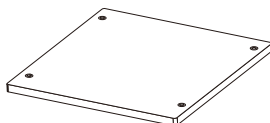
1 PC

28 LEFT SIDE



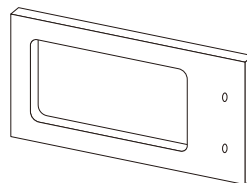
1 PC

29 REFRIGERATOR TOP



1 PC

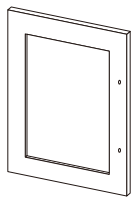
30 MICROWAVE DOOR



1 PC

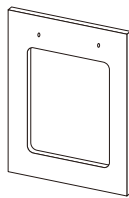
PARTS

31 SINK CUPBOARD DOOR



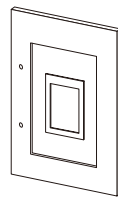
1 PC

32 OVEN DOOR



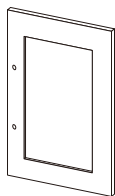
1 PC

33 REFRIGERATOR DOOR



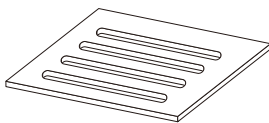
1 PC

34 PANTRY DOOR



1 PC

35 OVEN RACK



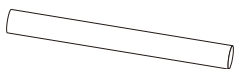
1 PC

36 BURNER



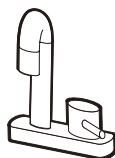
2 PCS

37 LONG HANDLE



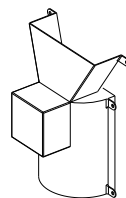
1 PC

38 FAUCET



1 PC

39 ICE DISPENSER



1 PC

40 S-HOOK



3 PCS

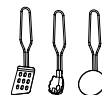
41 ACCESSORIES:



CUP
(2 PCS)



ICE CUBE
(4 PCS)



UTENSIL
(1 SET)



SAUCEPAN
(1 PC)

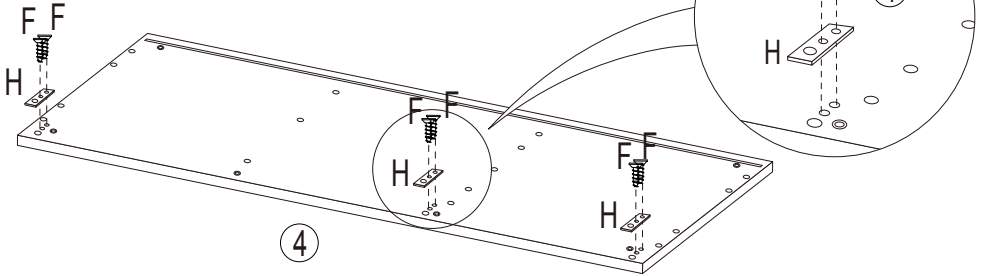


DUTCH OVEN
(1 PC)

PRODUCT ASSEMBLY

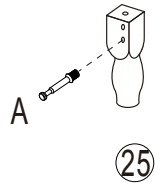
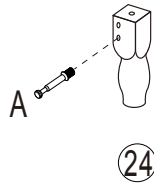
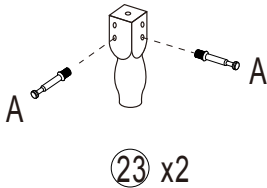
1

Attach three **part H** upper hinge receivers to the **part 4** base with six **part F** screws, two screws per receiver.



2

Insert two **part F** cam bolts into both **part 23** front legs, two bolts per leg.
Insert one **part F** cam bolt each into the **part 24** and **part 25** back legs.



3

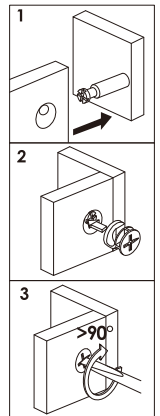
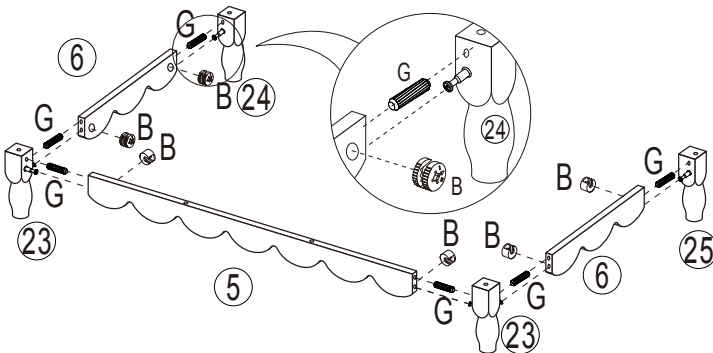
Insert one **part G** dowel into the **part 24** back leg I, then insert one **part B** cam lock into the **part 6** side scallop, connect the two pieces, turn the cam locks to secure, then set aside.

Insert one **part G** dowel into the **part 25** back leg II, then insert one **part B** cam lock into the **part 6** side scallop, connect the two pieces, turn the cam locks to secure, then set aside.

Insert two **part B** cam locks and two **part G** dowels into the **part 5** front scallop.

Connect the two **part 23** front legs to each side of the front scallop, then turn the cam locks to secure.

Insert one **part G** dowel and one **part B** cam lock into each **part 6** side scallop, then connect them to the **part 23** front legs, turn the cam locks to secure.

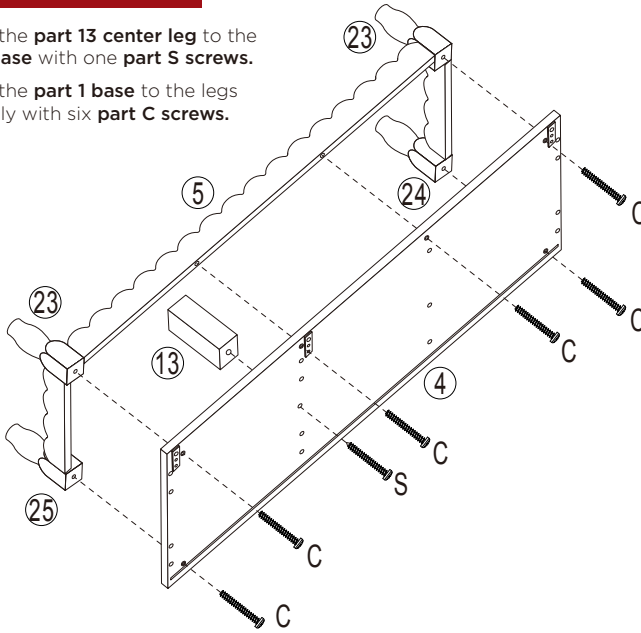


PRODUCT ASSEMBLY

4

Attach the **part 13 center leg** to the **part 1 base** with one **part S** screws.

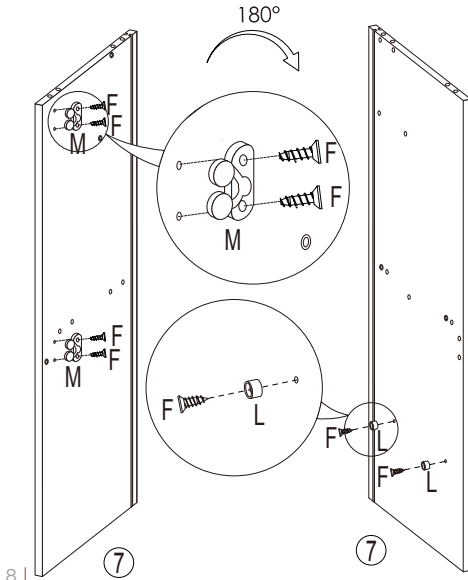
Attach the **part 1 base** to the legs assembly with six **part C** screws.



5

Attach two **part M** door catches to the **part 7 long divider** with four **part F** screws, two screws per door catch.

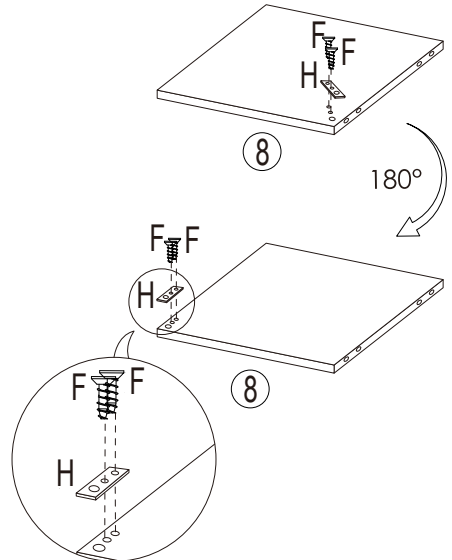
Flip the long divider and attach two **part L** rack supports with two **part F** screws.



6

Attach one **part H** upper hinge receivers to the **part 8 refrigerator bottom** with two **part F** screws.

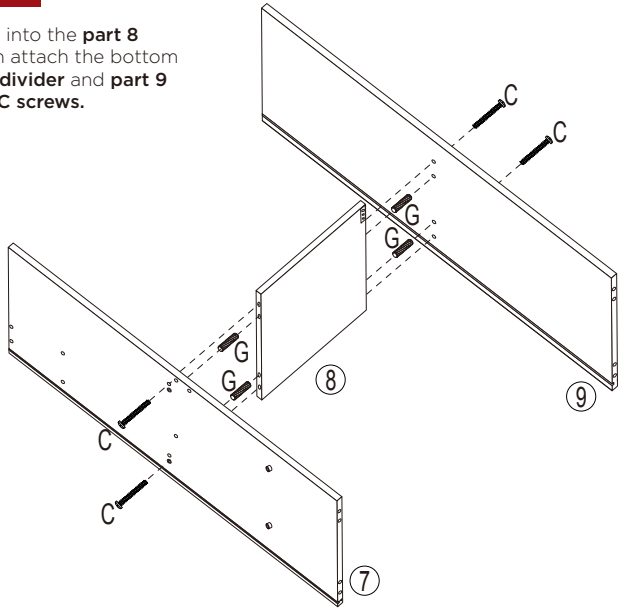
Flip the short divider and attach one **part H** upper hinge receivers with two **part F** screws.



PRODUCT ASSEMBLY

7

Insert four **part G** dowels into the **part 8** refrigerator bottom, then attach the bottom between the **part 7** long divider and **part 9** right side with four **part C** screws.

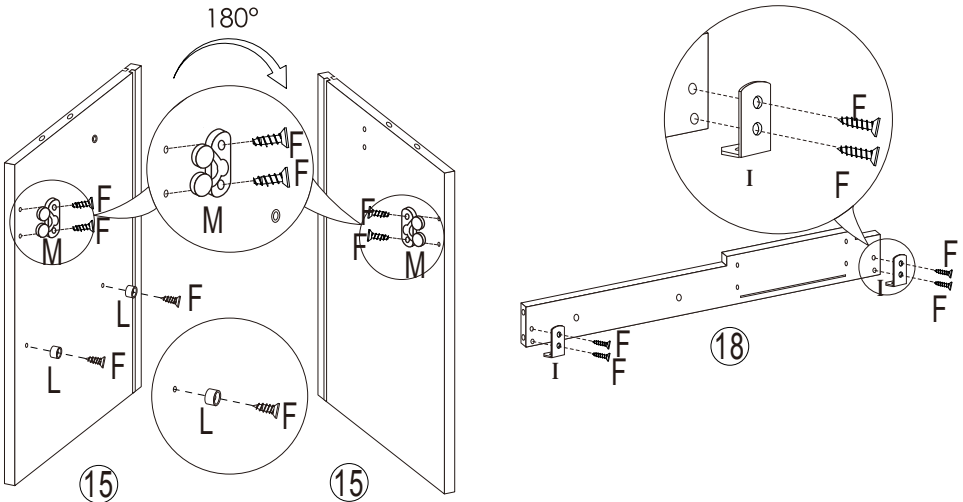


8

Attach one **part G** door catch and two **part L** rack supports to the **part 15** short divider with four **part C** screws.

Flip the short divider and attach one **part G** door catch with two **part C** screws.

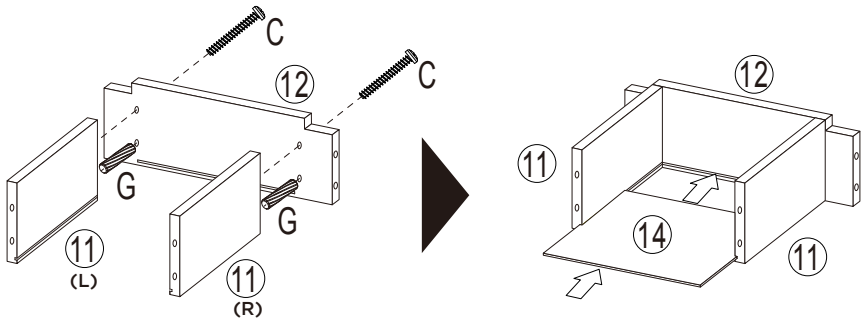
Attach two **part I** upper hinges to the **part 18** counter panel with four **part F** screws, two screws per hinge.



PRODUCT ASSEMBLY

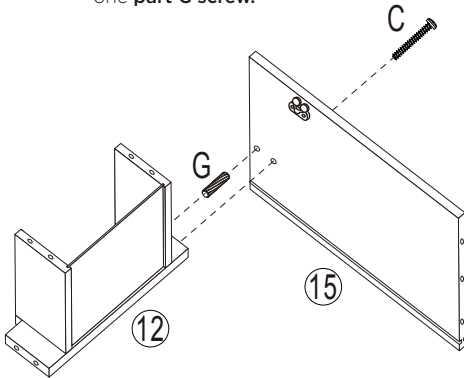
9

Attach the **part 12 sink back** to **part 11 sink left sides (L/R)** with two **part G dowels** and two **part C screws**, and then slide the **part 14 sink bottom**.



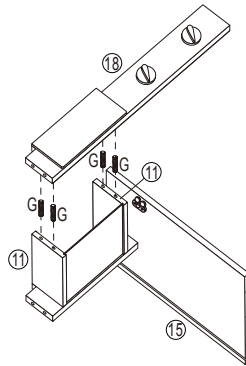
10

Attach the sink assembly to the **part 15 short divider** with one **part G dowel** and one **part C screw**.



11

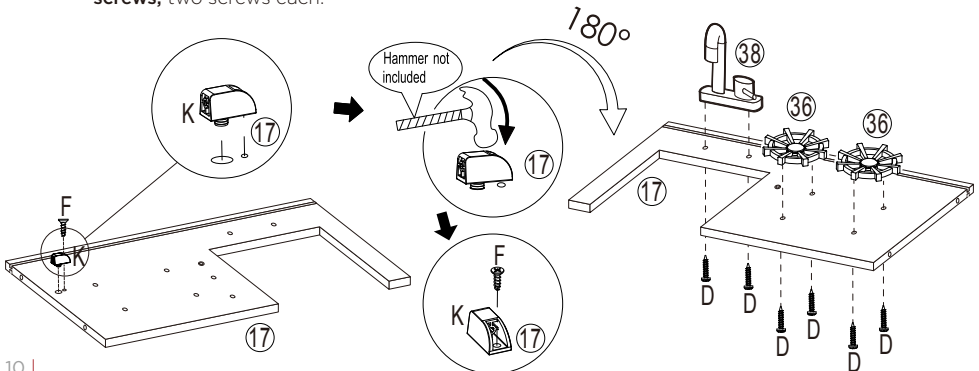
Attach the **part 18 counter panel** to the sink assembly with four **part G dowel**.



12

Hammer one **part K counter support** into the **part 17 countertop**, then secure with one **part F screw**.

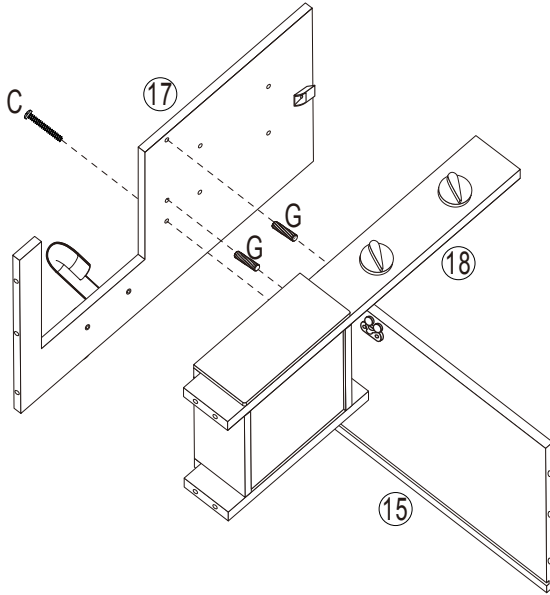
Flip the countertop and attach the **part 38 faucet** and two **part 36 burners** with six **part D screws**, two screws each.



PRODUCT ASSEMBLY

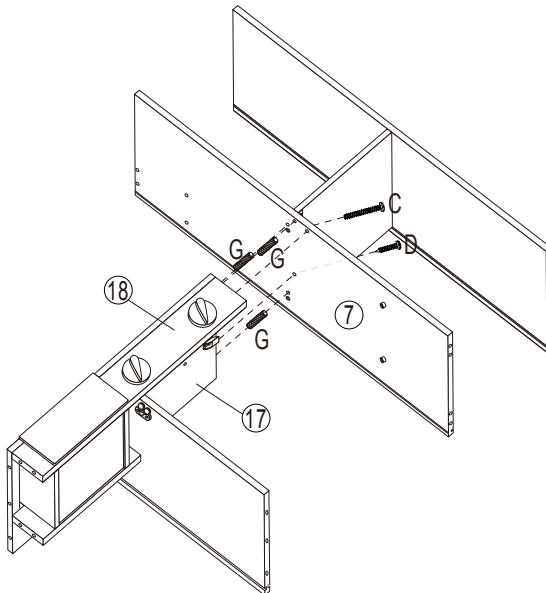
13

Attach the **part 17 countertop** to the **part 15 short divider** and **part 18 counter panel** with one **part C screw** and two **part G dowels**.



14

Insert two **part G dowels** to **part 17 countertop** and one **part G dowel** to **part 18 counter panel**. Attach the **part 7 long divider** assembly to the counter top assembly with one **part C screw** and one **part D screw**.

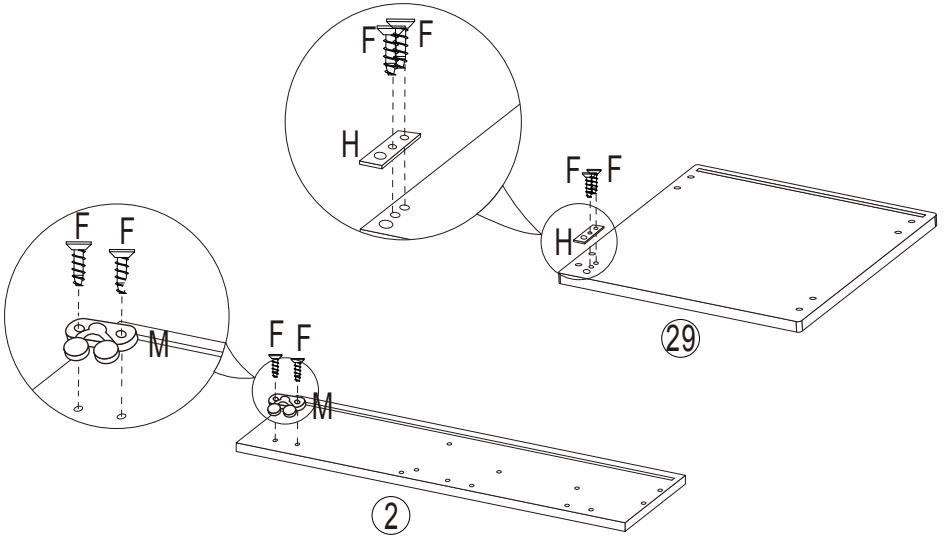


PRODUCT ASSEMBLY

15

Attach one **part M** door catches to the **part 2** top panel with two **part F** screws.

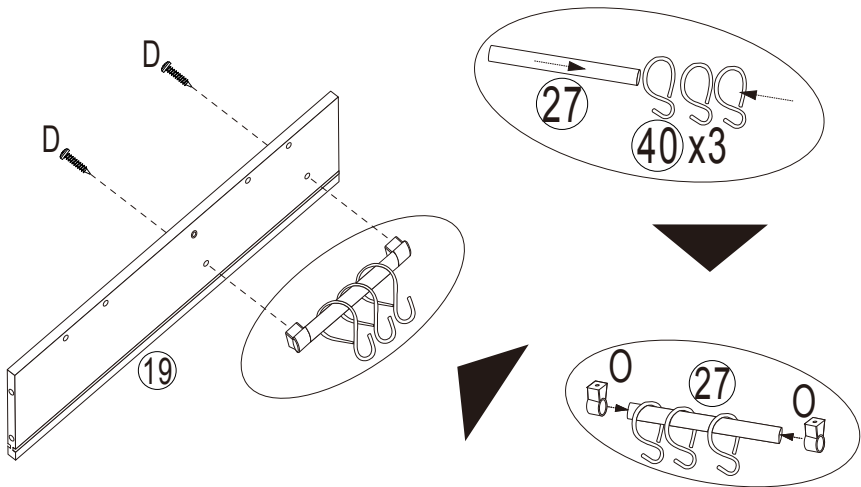
Attach one **part H** upper hinge receivers to the **part 29** refrigerator top with two **part F** screws.



16

Slide three **part 40** s-hooks to the **part 27** rail, then attach two **part O** rail holders.

Attach the rail assembly to **part 19** upper shelf with two **part D** screws.

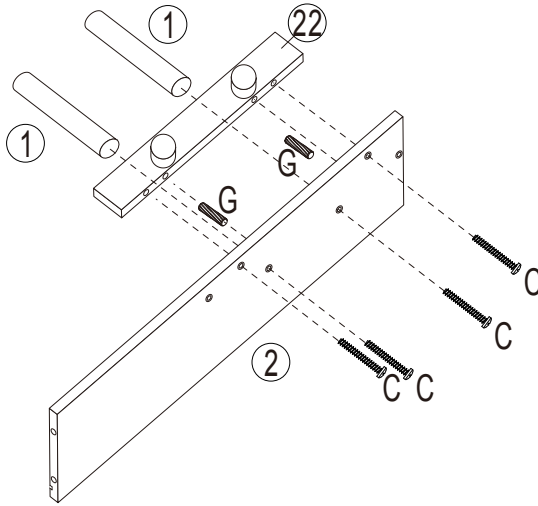


PRODUCT ASSEMBLY

17

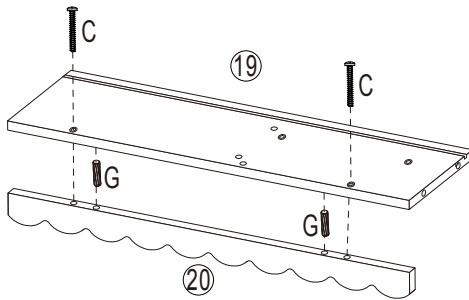
Insert two **part G** dowels to **part 22 coffee maker front**, then attach the coffee maker front to the **part 2 top panel** with two **part C** screws.

Attach two **part 1** spouts to **part 2 top panel** with two **part C** screws.



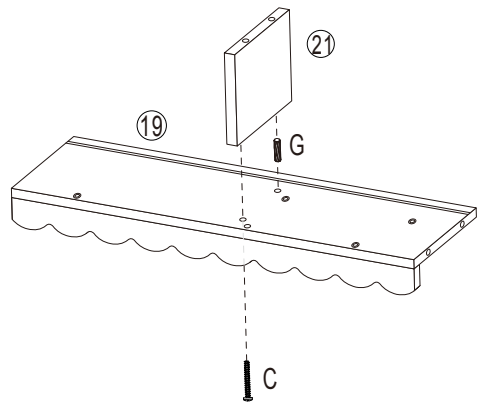
18

Attach the **part 20 upper shelf scallop** to **part 19 upper shelf** with two **part G** dowels and two **part C** screws.



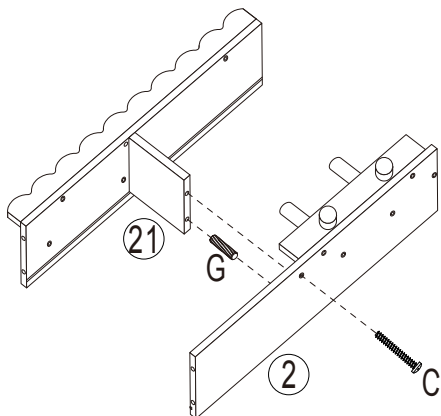
19

Attach the **part 21 shelf divider** with one **part G** dowel and one **part C** screws.

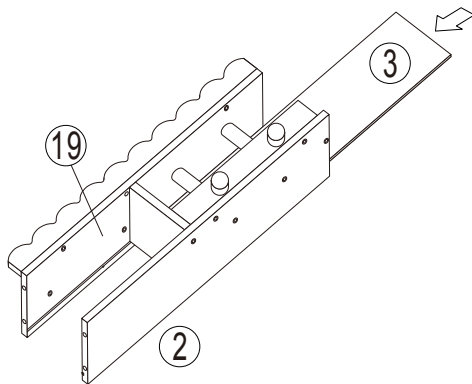


PRODUCT ASSEMBLY

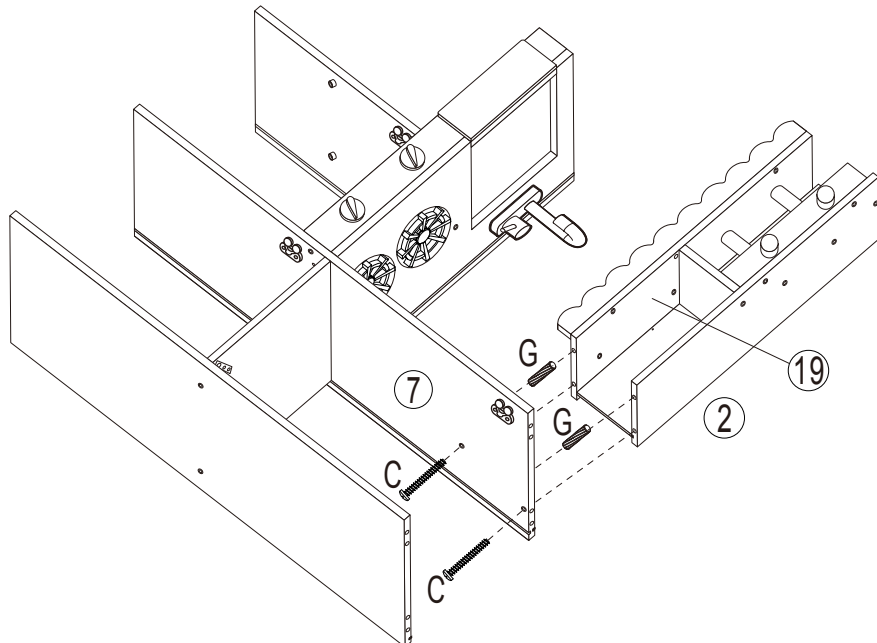
- 20** Attach the **part 2 top panel assembly** to the **part 21 shelf divider** with one **part G** dowel and one **part C** screw.



- 21** Slide the **part 3 upper shelf** back between **part 2 top panel** and **part 19** upper shelf.



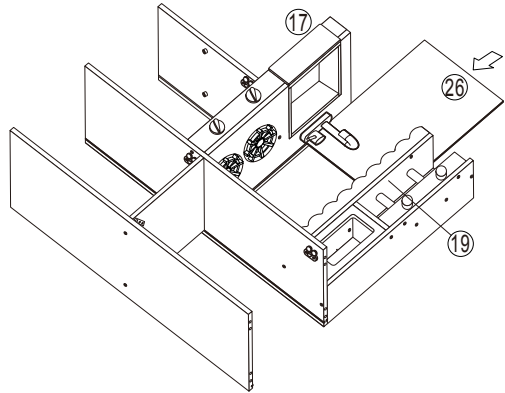
- 22** Attach the **part 2 & 19 upper shelf assembly** to the **part 7 long divider** with two **part G** dowels and two **part C** screws.



PRODUCT ASSEMBLY

23

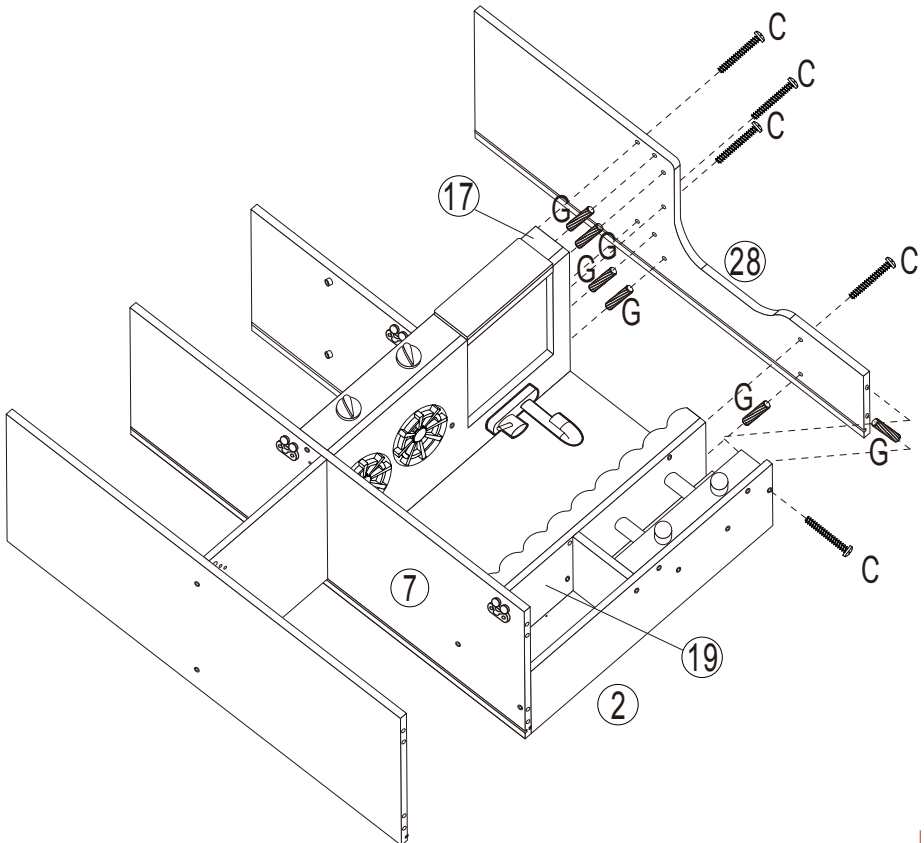
Slide the **part 26 countertop back** between **part 17 countertop** and **part 19 upper shelves**.



24

Insert four **part G dowels** into the **part 28 left side**, then insert two **part G dowels** into **part 2 & 19 upper shelf assembly**.

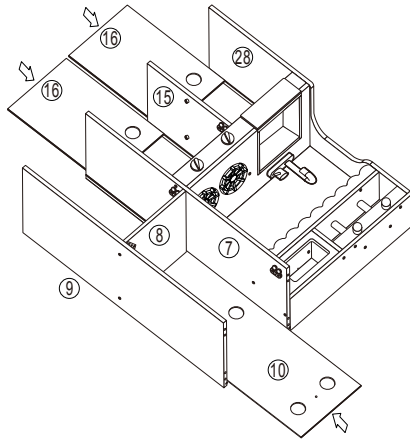
Attach **part 28 left side** to the **part 17 countertop assembly** and **part 2 top panel** with five **part C screws**.



PRODUCT ASSEMBLY

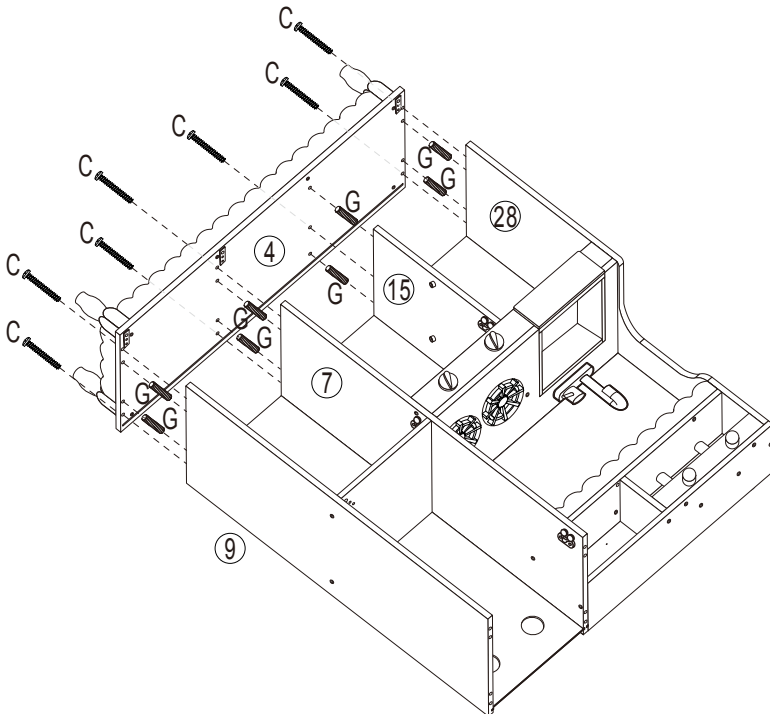
25

Slide two **part 16 short backs** between **part 28 left side** and **part 7 long divider**.
Slide the **part 10 long back** between **part 7 long divider** and **part 9 right side**.



26

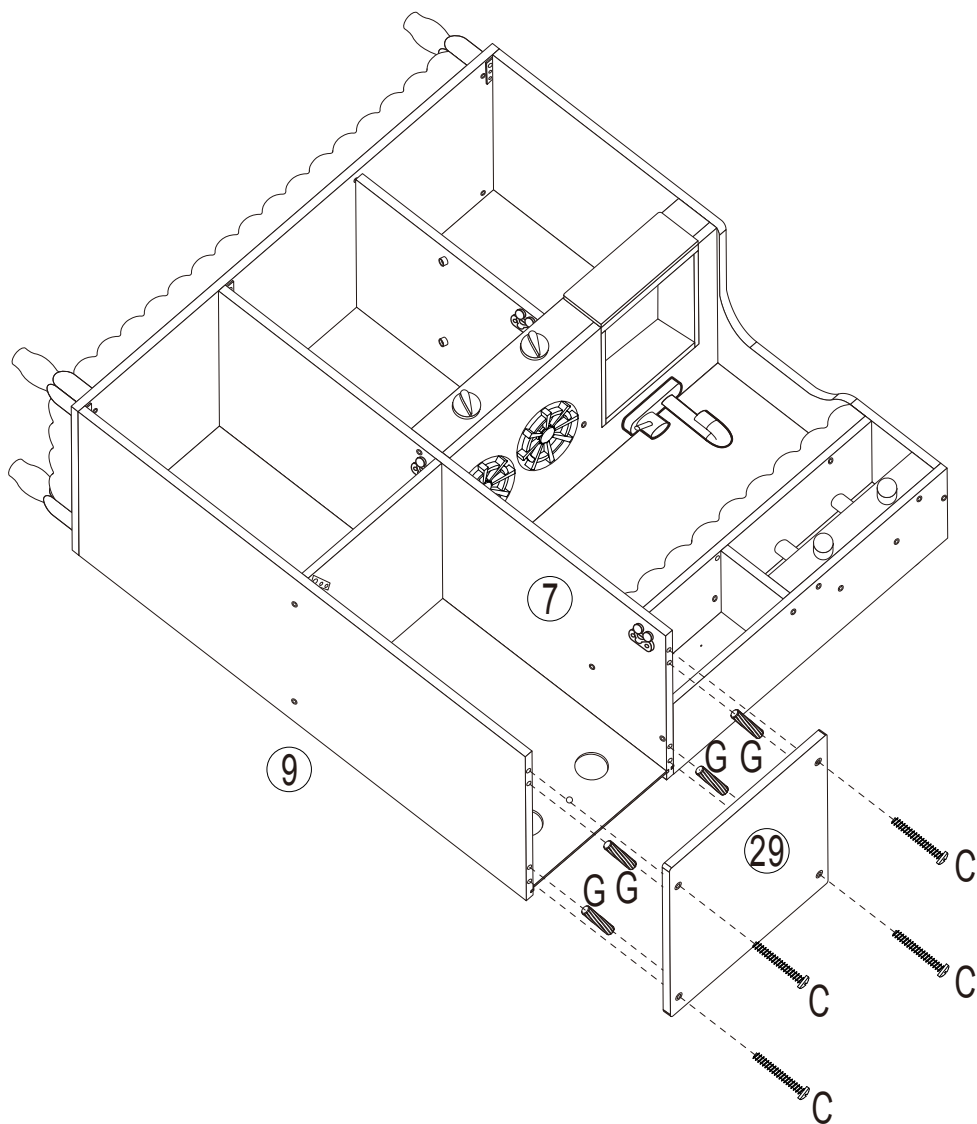
Insert eight **part G dowels** into the **part 4 base**, then attach the base assembly to the bottom of the kitchen playset with seven **part C screws**.



PRODUCT ASSEMBLY

27

Insert four **part G** dowels to **part 7** long divider and **part 9** right side, two dowel per panel.
Then attach the **part 29** refrigerator top with four **part C** screws.

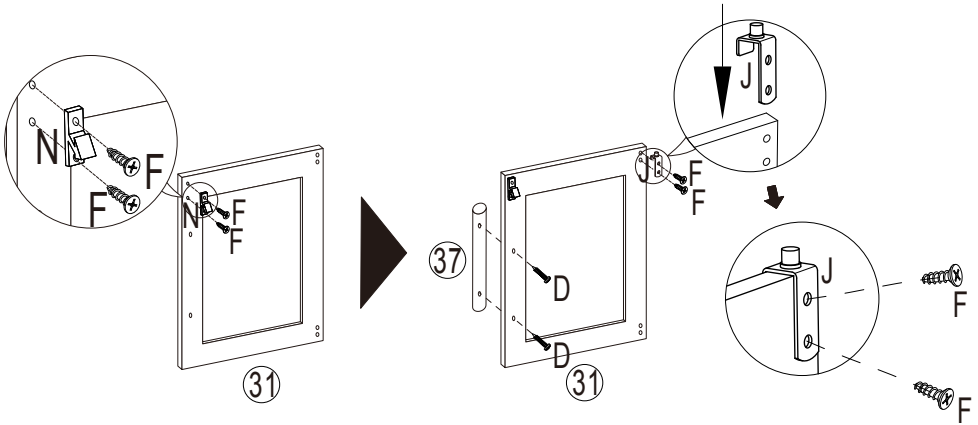


PRODUCT ASSEMBLY

28

Attach one **part N door insert** and one **part J hinge pegs** to the **part 31 sink cupboard door** with four **part C screws**.

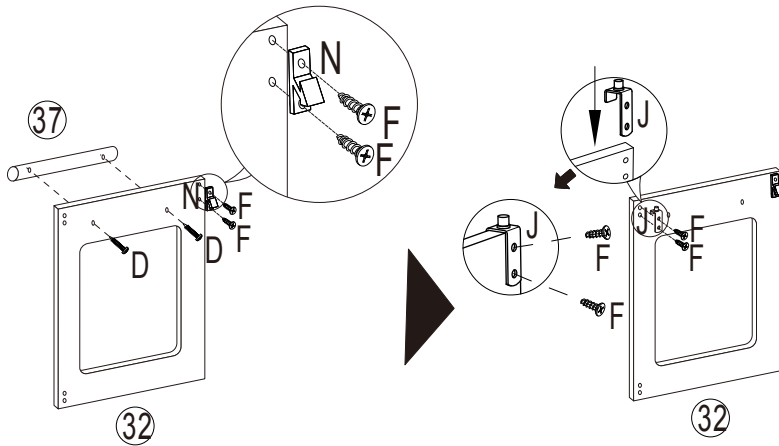
Attach one **part 37 long handle** with two **part D screws**.



29

Attach one **part N door insert** and one **part J hinge pegs** to the **part 32 oven door** with four **part C screws**.

Attach one **part 37 long handle** with two **part D screws**.

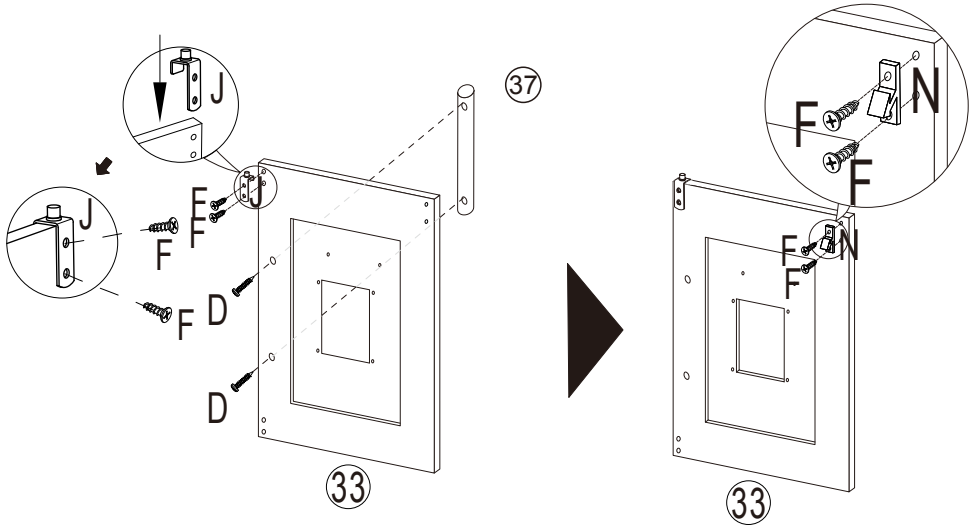


PRODUCT ASSEMBLY

30

Attach one **part N door insert** and one **part J hinge pegs** to the **part 33 refrigerator door** with four **part C screws**.

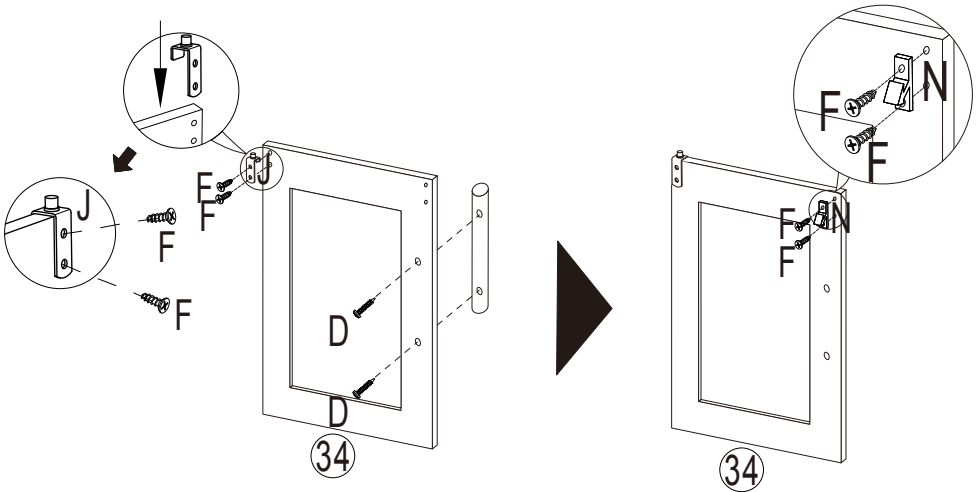
Attach one **part 37 long handle** with two **part D screws**.



31

Attach one **part N door insert** and one **part J hinge pegs** to the **part 34 pantry door** with four **part C screws**.

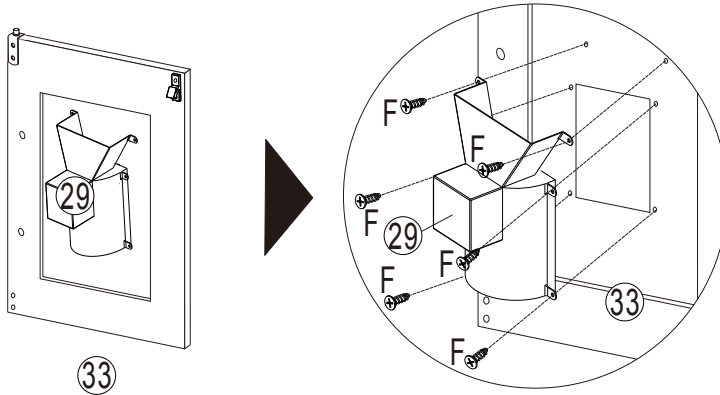
Attach one **part 37 long handle** with two **part D screws**.



PRODUCT ASSEMBLY

32

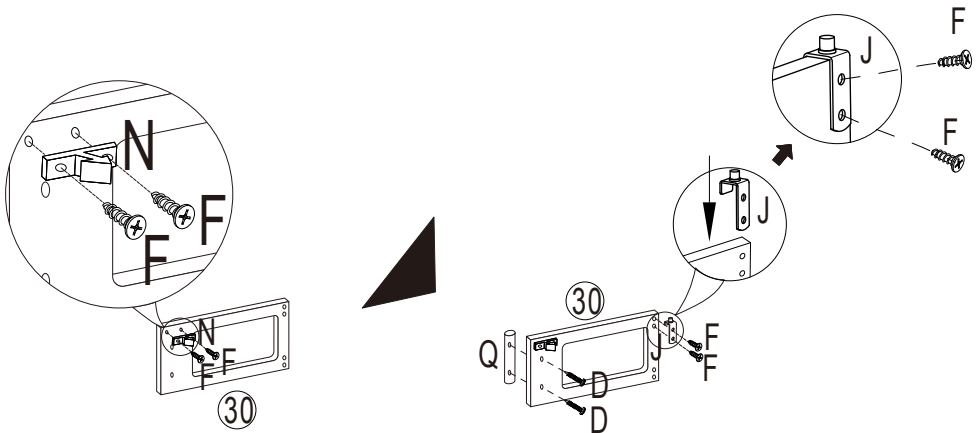
Attach the **part 29 ice dispenser** to the **part 33 refrigerator door** with six **part F screws**.



33

Attach one **part N door insert** and one **part J hinge pegs** to the **part 30 microwave door** with four **part C screws**.

Attach one **part Q short handle** with two **part D screws**.



PRODUCT ASSEMBLY

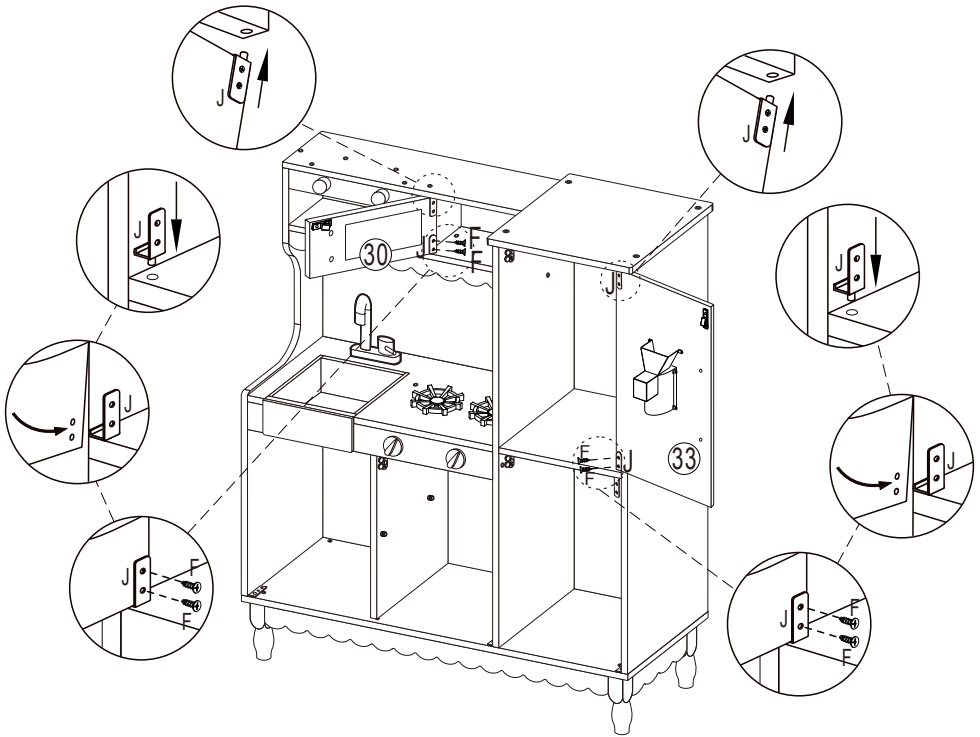
34

Insert the hinge peg on the **part 30 microwave door** into the opening on the **part 2 top panel**.

Insert one **part J hinge peg** into the opening on the **part 19 upper shelf**, and then secure it to the **part 30 microwave door** with two **part F screws**.

Insert the hinge peg on the **part 23 refrigerator door** into the opening on the **part 29 refrigerator top**.

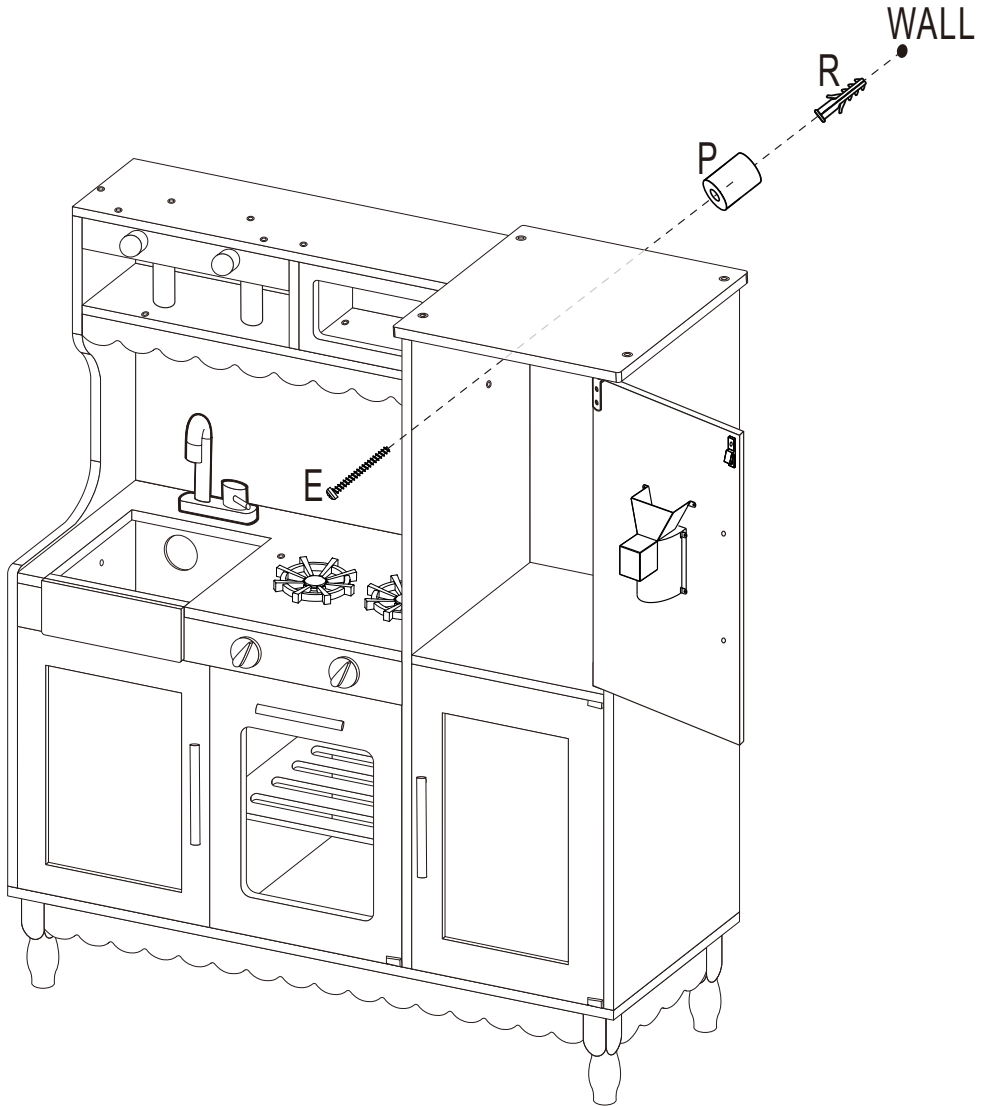
Insert one **part J hinge peg** into the opening on the **part 8 refrigerator bottom**, and then secure it to the **part 33 refrigerator door** with two **part F screws**.



PRODUCT ASSEMBLY

36

Combine the **part E wall nail**, **part P wall spacer**, and **part R wall anchor** and use a hammer to drive the nail into the wall through the opening on the **part 10 refrigerator back**.





HELP CENTER



Question about your product? We're here to help. Visit us at:

help.bestchoiceproducts.com



Chat Support



Product Inquiry



Orders FAQ



Product Assembly



Returns & Refunds

PRODUCT WARRANTY INFORMATION

All items can be returned for any reason within 60 days of the receipt and will receive a full refund as long as the item is returned in its original product packaging and all accessories from its original shipment are included. All returned items will receive a full refund back to the original payment method. All returned items will not be charged a re-stocking fee.

All returned items require an RA (Return Authorization) number, which can only be provided by a Best Choice Products Customer Service Representative when the return request is submitted. Items received without an RA may not be accepted or may increase your return processing time. Once an item has been received by Best Choice Products, refunds or replacements will be processed within 5 business days.

All returns must be shipped back to the Best Choice Products Return Center at the customer's expense. If the reason for return is a result of an error by Best Choice Products then Best Choice Products will provide a pre-paid shipping label via email. Boxes for return shipping will not be provided by Best Choice Products, and is the customer's responsibility to either use the original shipping boxes or purchase new boxes.

Pictures may be required for some returns to ensure an item is not damaged prior to its return. Items returned are not considered undamaged until they are received by Best Choice Products and verified as such. All damages to items are the customer's responsibility until the item has been received by and acknowledged by Best Choice Products as undamaged.

© Best Choice Products, Inc. All rights reserved. Distributed by Best Choice Products, Inc. Newport Beach, CA 92660

WARNING

Manufacturer and seller expressly disclaim any and all liability for personal injury, property damage or loss, whether direct, indirect, or incidental, resulting from the incorrect attachment, improper use, inadequate maintenance, unapproved modification, or neglect of this product.