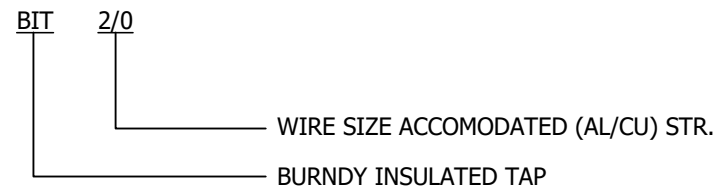
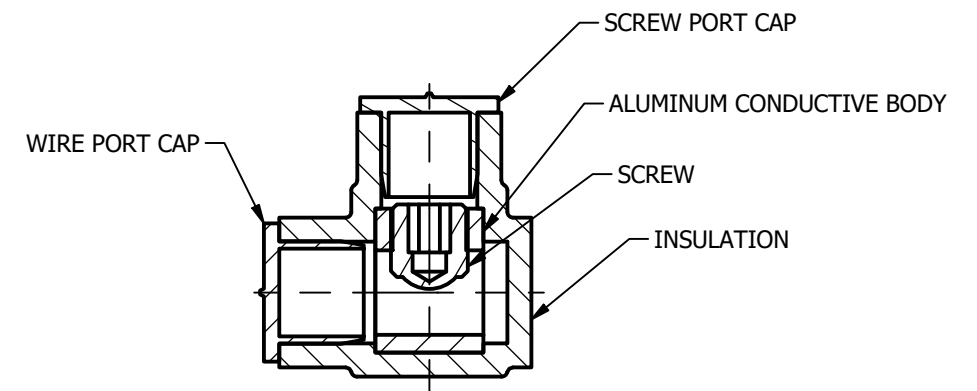
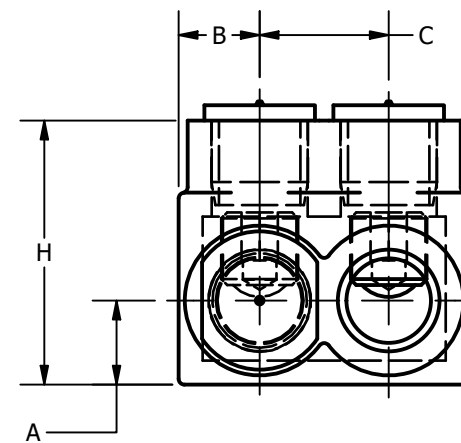
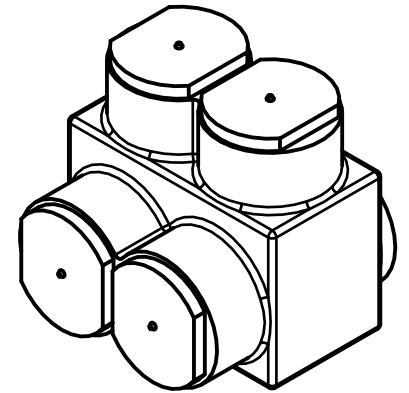
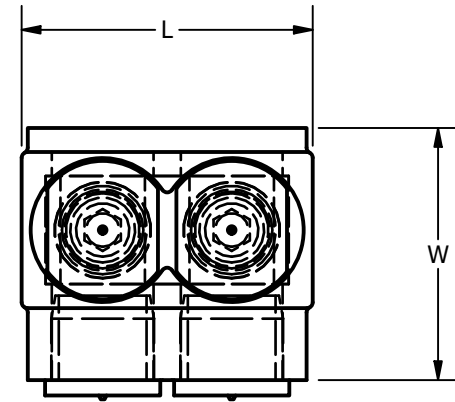


CATALOG NUMBER	ITEM NUMBER	WIRE RANGE	L	W	H	A	B	C	HEX KEY	STRIP LENGTH +/-1/32	TORQUE, IN-LBS	AMP RATING
BIT4	25003737	#14-#4 CLASS B, C	1.08	1.13	1.25	.44	.32	.44	1/8	9/16	35	85
BIT2/0	25003729	#14-2/0 CLASS B, C	1.52	1.31	1.38	.44	.42	.67	3/16	5/8	120	175
BIT250	25003693	#10-250 CLASS B, C	2.03	2.13	2.13	.58	.55	.94	5/16	15/16	275	255
BIT350	25003694	#10-350 CLASS B, C	2.22	2.38	2.50	.69	.66	.91	5/16	1 1/16	275	310
BIT600	25018848	#4-600 CLASS B, C	2.75	2.38	2.75	.81	.72	1.28	3/8	1 1/16	375	420
BIT750	25019663	#2-750 CLASS B, C	2.88	2.75	3.00	.90	.75	1.38	3/8	1 7/16	375	475

REV	DATE	DESCRIPTION	ECO	BY	C'H'K.
C	07/20/2020	REDRAW	53372	JL	TR



NOTES:

- DIMENSIONS IN BRACKETS [] ARE IN MILLIMETERS ROUNDED OFF TO THE NEAREST MILLIMETER, UNLESS OTHERWISE SPECIFIED AND ARE FOR REFERENCE ONLY.
- THIS DRAWING TO BE INTERPRETED PER ASME Y14.5M-2009.
- MATERIAL: BODY - TIN PLATED ALUMINUM
SCREW - CLEAR COATED ALUMINUM
INSULATION - PLASTISOL
CAPS - POLYETHOLENE
- OPERATING TEMPERATURE - -40°C TO 135°C.
- VOLTAGE RATING - 600 V.

- 6 > AMPERAGE RATING - SEE TABLE.
7 > NOT UL LISTED OR CSA CERTIFIED.

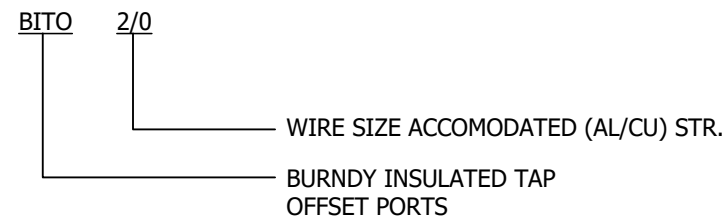
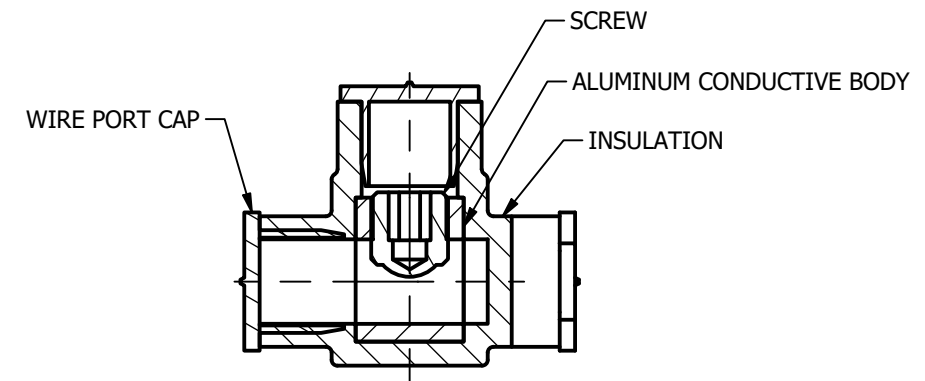
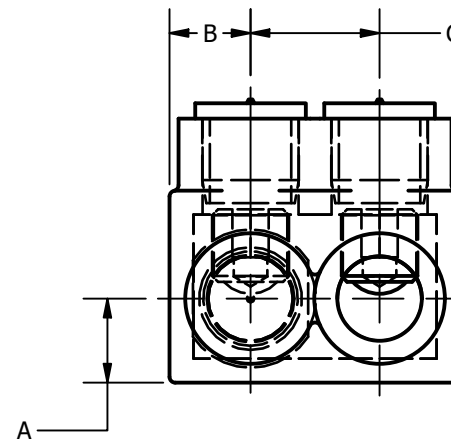
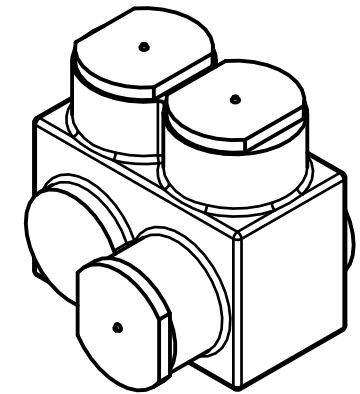
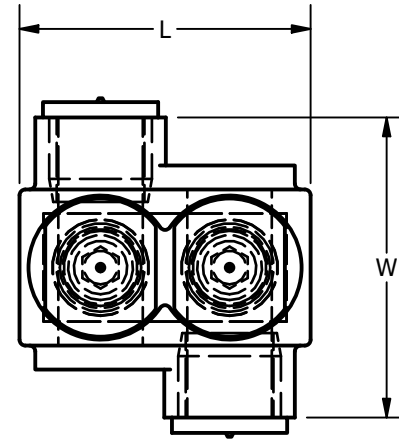
- LISTED TO 486A-B, FILE E9498
- CERTIFIED TO C22.2, NO. 65, FILE 042860_C_000

FEATURES	BENEFITS
PLASTISOL COVERED AL 6060-T6 BODY	SAVES TIME, LOWERS INSTALLATION COST, ELIMINATES TAPING
CLEAR PLASTISOL	ALLOWS VISUAL CONFIRMATION THAT CONDUCTOR IS PROPERLY INSERTED
OXIDE-INHIBITOR IS PREFILLED	INHIBITS MOISTURE AND CONTAMINANTS FROM ENTERING THE CONTACT AREA
RANGE-TAKING IN BOTH CODE AND FLEX	REDUCES THE NUMBER OF CONNECTORS CARRIED IN INVENTORY
WIRE AND SCREW PORT COVERS	PROTECTS AGAINST CONTAMINATION AND ACCIDENTAL CONTACT OF ENERGIZED PARTS.

TO ORDER BURNDY® PRODUCTS CALL		FULLY INSULATED DISTRIBUTION BLOCKS-UNITAP™	
UNITED STATES 1-800-346-4175 (LONDONDERRY, NH)		ITEM NO: SEE TABLE	
CANADA: 1-800-361-6975 (QUEBEC) 1-800-387-6487 (ALL OTHER PROVINCES)		CAT. NO: SEE TABLE	
FOR PRODUCT INFO: http://www.burndy.com		DRAWN BY: T.REYNOLDS 8/14/2014	
		CHECKER: T.REYNOLDS 8/27/2014	
		DSN APRVL: T.REYNOLDS 12/20/2015	
		MFG APRVL: --	
		QA APRVL: C.KOWALCZYK 12/20/2015	
		MKT APRVL: M.BAILEY 12/20/2015	
		PROJ #: LM15085	
		SIZE: B	
		DRAWING NO: SC210991	
		REV: C	
		SHEET 1 OF 15	

CATALOG NUMBER	ITEM NUMBER	WIRE RANGE	L	W	H	A	B	C	HEX KEY	STRIP LENGTH +/-1/32	TORQUE, IN-LBS	AMP RATING
BITO4	25003736	#14-#4 CLASS B, C	1.08	1.50	1.25	.44	.32	.44	1/8	9/16	35	85
BITO2/0	25003696	#14-2/0 CLASS B, C	1.52	1.56	1.38	.44	.42	.67	3/16	5/8	120	175
BITO250	25003730	#10-250 CLASS B, C	2.03	2.63	2.13	.58	.55	.94	5/16	15/16	275	255
BITO350	25005637	#10-350 CLASS B, C	2.22	2.75	2.50	.69	.66	.91	5/16	1 1/16	275	310
BITO600	25018849	#4-600 CLASS B, C	2.75	2.75	2.75	.81	.72	1.28	3/8	1 1/16	375	420
BITO750	25019664	#2-750 CLASS B, C	2.88	3.13	3.00	.90	.75	1.38	3/8	1 7/16	375	475

REV	DATE	DESCRIPTION	ECO	BY	C'H'K.
C	07/20/2020	REDRAW	53372	JL	TR



LISTED TO 486A-B, FILE E9498

CERTIFIED TO C22.2, NO. 65, FILE 042860_C_000

NOTES:

- DIMENSIONS IN BRACKETS [] ARE IN MILLIMETERS ROUNDED OFF TO THE NEAREST MILLIMETER, UNLESS OTHERWISE SPECIFIED AND ARE FOR REFERENCE ONLY.
- THIS DRAWING TO BE INTERPRETED PER ASME Y14.5M-2009.
- MATERIAL: BODY - TIN PLATED ALUMINUM
SCREW - CLEAR COATED ALUMINUM
INSULATION - PLASTISOL
CAPS - POLYETHOLENE
- OPERATING TEMPERATURE - -40°C TO 135°C.
- VOLTAGE RATING - 600 V.
- AMPERAGE RATING - SEE TABLE.

NOT UL LISTED OR CSA CERTIFIED

FEATURES	BENEFITS
PLASTISOL COVERED AL 6060-T6 BODY	SAVES TIME, LOWERS INSTALLATION COST, ELIMINATES TAPING
CLEAR PLASTISOL	ALLOWS VISUAL CONFIRMATION THAT CONDUCTOR IS PROPERLY INSERTED
OXIDE-INHIBITOR IS PREFILLED	INHIBITS MOISTURE AND CONTAMINANTS FROM ENTERING THE CONTACT AREA
RANGE-TAKING IN BOTH CODE AND FLEX	REDUCES THE NUMBER OF CONNECTORS CARRIED IN INVENTORY
WIRE AND SCREW PORT COVERS	PROTECTS AGAINST CONTAMINATION AND ACCIDENTAL CONTACT OF ENERGIZED PARTS.

TO ORDER BURNDY® PRODUCTS CALL
UNITED STATES
1-800-346-4175 (LONDONDERRY, NH)
CANADA:
1-800-361-6975 (QUEBEC)
1-800-387-6487 (ALL OTHER PROVINCES)
FOR PRODUCT INFO: <http://www.burndy.com>

FULLY INSULATED DISTRIBUTION BLOCKS-UNITAP™	
ITEM NO: SEE TABLE	
CAT. NO: SEE TABLE	
DRAWN BY: T.REYNOLDS	8/14/2014
CHECKER: T.REYNOLDS	8/27/2014
DSN APRVL: T.REYNOLDS	12/20/2015
MFG APRVL: --	
QA APRVL: C.KOWALCZYK	12/20/2015
MKT APRVL: M.BAILEY	12/20/2015
PROD FAM: --	
PROJECT #: LM15085	SIZE
DOCUMENT TYPE: SALES	B
REL LEVEL: Released	
DRAWING NO	REV
SC210991	C
SHEET 2 OF 15	

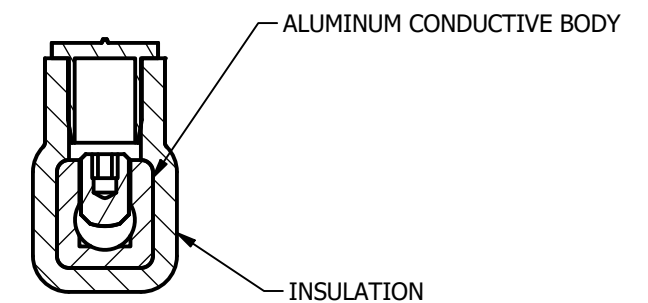
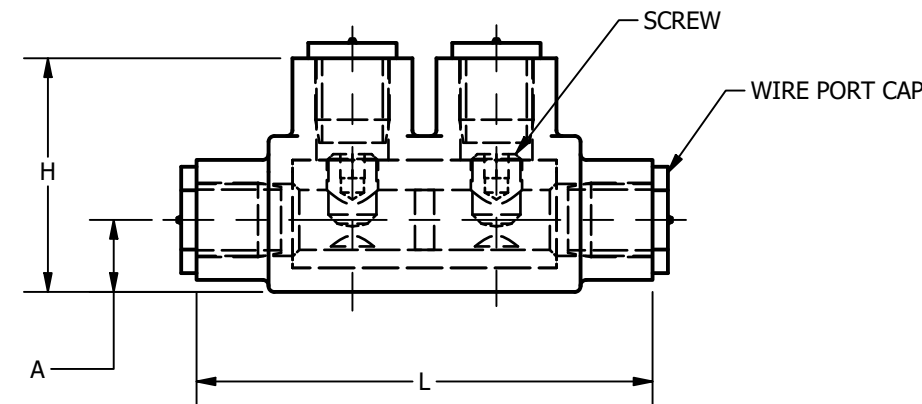
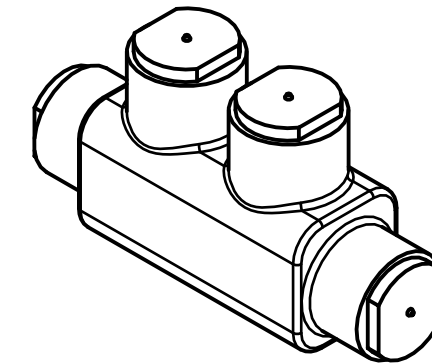
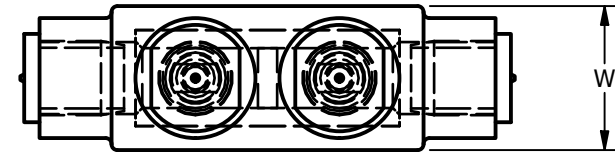


CATALOG NUMBER	ITEM NUMBER	WIRE RANGE	L	W	H	A	HEX KEY	STRIP LENGTH +/-1/32	TORQUE, IN-LBS	AMP RATING
BISR2	25018843	#14-#2 CLASS B, C	2.38	.75	1.22	.38	5/32	11/16	100	115
BISR1/0	25003734	#14-1/0 CLASS B, C	2.91	.91	1.38	.45	3/16	15/16	120	150
BISR250	25003733	#10-250 CLASS B, C	4.00	1.19	2.09	.59	5/16	1 1/8	275	250
BISR350	25003732	#10-350 CLASS B, C	4.63	1.34	2.22	.67	5/16	1 3/8	275	310
BISR500	25003731	#6-500 CLASS B, C	5.25	1.63	2.63	.81	3/8	1 5/8	375	380

6

REV	DATE	DESCRIPTION	ECO	BY	C'H'K.
C	07/20/2020	REDRAW	53372	JL	TR

FEATURES	BENEFITS
PLASTISOL COVERED AL 6060-T6 BODY	SAVES TIME, LOWERS INSTALLATION COST, ELIMINATES TAPING
CLEAR PLASTISOL	ALLOWS VISUAL CONFIRMATION THAT CONDUCTOR IS PROPERLY INSERTED
OXIDE-INHIBITOR IS PREFILLED	INHIBITS MOISTURE AND CONTAMINANTS FROM ENTERING THE CONTACT AREA
RANGE-TAKING IN BOTH CODE AND FLEX	REDUCES THE NUMBER OF CONNECTORS CARRIED IN INVENTORY
WIRE AND SCREW PORT COVERS	PROTECTS AGAINST CONTAMINATION AND ACCIDENTAL CONTACT OF ENERGIZED PARTS.



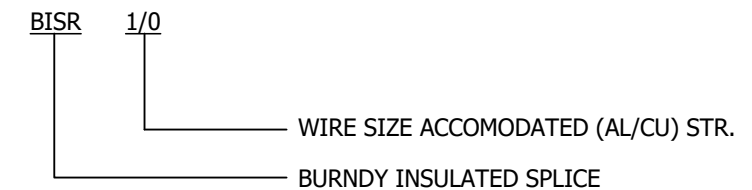
NOTES:

- DIMENSIONS IN BRACKETS [] ARE IN MILLIMETERS ROUNDED OFF TO THE NEAREST MILLIMETER, UNLESS OTHERWISE SPECIFIED AND ARE FOR REFERENCE ONLY.
- THIS DRAWING TO BE INTERPRETED PER ASME Y14.5M-2009.
- MATERIAL: BODY - TIN PLATED ALUMINUM
SCREW - CLEAR COATED ALUMINUM
INSULATION - PLASTISOL
CAPS - POLYETHYLENE
- OPERATING TEMPERATURE - -40°C TO 135°C.
- VOLTAGE RATING - 600 V.

6. AMPERAGE RATING - SEE TABLE.

LISTED TO 486A-B, FILE E9498

CERTIFIED TO C22.2, NO. 65, FILE 042860_C_000

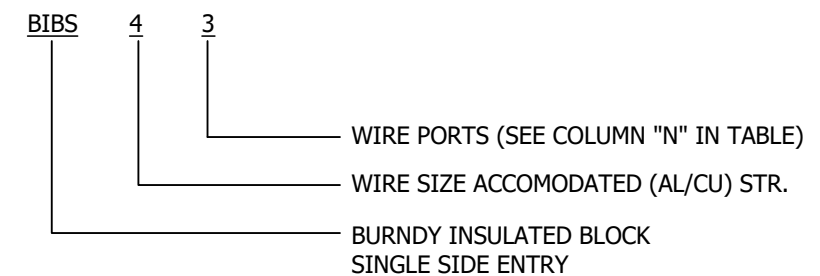
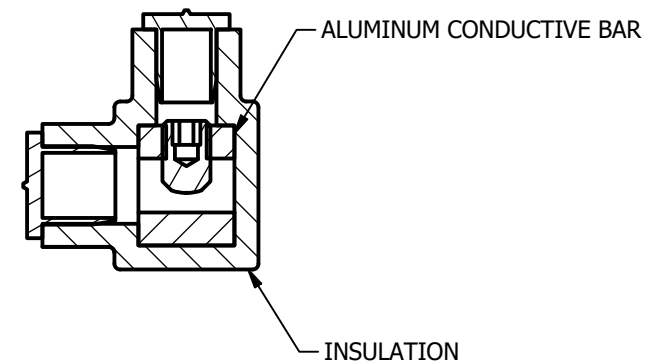
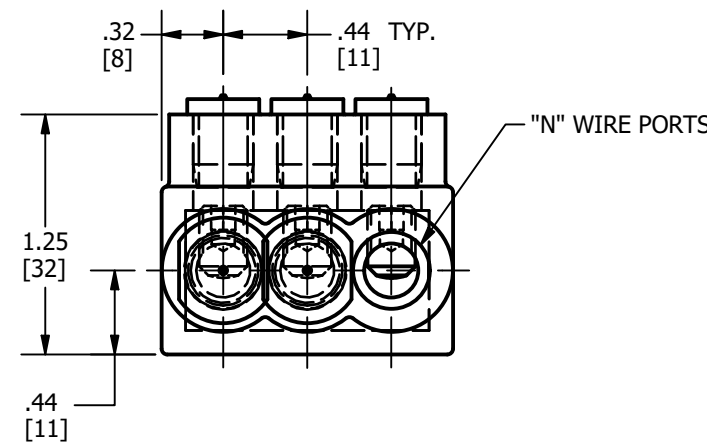
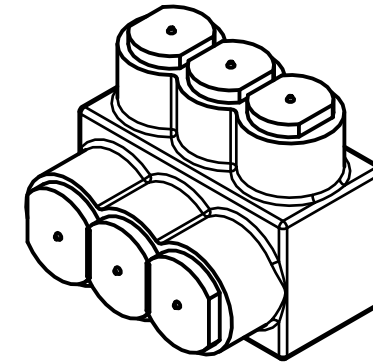
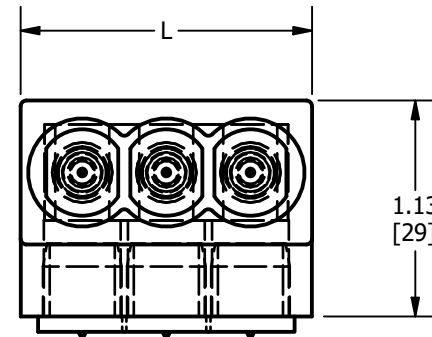


TO ORDER BURNDY® PRODUCTS CALL		FULLY INSULATED DISTRIBUTION BLOCKS-UNITAP™													
UNITED STATES 1-800-346-4175 (LONDONDERRY, NH)		ITEM NO: SEE TABLE													
CANADA: 1-800-361-6975 (QUEBEC) 1-800-387-6487 (ALL OTHER PROVINCES)		CAT. NO: SEE TABLE													
FOR PRODUCT INFO: http://www.burndy.com		<table border="1"> <tr> <td>DRAWN BY: T.REYNOLDS</td> <td>8/14/2014</td> </tr> <tr> <td>CHECKER: T.REYNOLDS</td> <td>8/27/2014</td> </tr> <tr> <td>DSN APRVL: T.REYNOLDS</td> <td>12/20/2015</td> </tr> <tr> <td>MFG APRVL: --</td> <td></td> </tr> <tr> <td>QA APRVL: C.KOWALCZYK</td> <td>12/20/2015</td> </tr> <tr> <td>MKT APRVL: M.BAILLY</td> <td>12/20/2015</td> </tr> </table>		DRAWN BY: T.REYNOLDS	8/14/2014	CHECKER: T.REYNOLDS	8/27/2014	DSN APRVL: T.REYNOLDS	12/20/2015	MFG APRVL: --		QA APRVL: C.KOWALCZYK	12/20/2015	MKT APRVL: M.BAILLY	12/20/2015
DRAWN BY: T.REYNOLDS	8/14/2014														
CHECKER: T.REYNOLDS	8/27/2014														
DSN APRVL: T.REYNOLDS	12/20/2015														
MFG APRVL: --															
QA APRVL: C.KOWALCZYK	12/20/2015														
MKT APRVL: M.BAILLY	12/20/2015														
PROJ #: LM15085		SIZE: B	DRAWING NO: SC210991												
DOCUMENT TYPE: SALES			REV: C												
REL LEVEL: Released			SHEET 3 OF 15												

CATALOG NUMBER	ITEM NUMBER	WIRE RANGE	L	N	HEX KEY	STRIP LENGTH +/-1/32
BIBS43	25018647	#14-#4 CLASS B, C	1.268	3	1/8	9/16
BIBS44	25003735		1.706	4		
BIBS45	25018648		2.144	5		
BIBS46	25018649		2.582	6		
BIBS48	25018851		3.458	8		

REV	DATE	DESCRIPTION	ECO	BY	C'H.K.
C	07/20/2020	REDRAW	53372	JL	TR

FEATURES	BENEFITS
PLASTISOL COVERED AL 6060-T6 BODY	SAVES TIME, LOWERS INSTALLATION COST, ELIMINATES TAPING
CLEAR PLASTISOL	ALLOWS VISUAL CONFIRMATION THAT CONDUCTOR IS PROPERLY INSERTED
OXIDE-INHIBITOR IS PREFILLED	INHIBITS MOISTURE AND CONTAMINANTS FROM ENTERING THE CONTACT AREA
RANGE-TAKING IN BOTH CODE AND FLEX	REDUCES THE NUMBER OF CONNECTORS CARRIED IN INVENTORY
WIRE AND SCREW PORT COVERS	PROTECTS AGAINST CONTAMINATION AND ACCIDENTAL CONTACT OF ENERGIZED PARTS.



LISTED TO 486A-B, FILE E9498

CERTIFIED TO C22.2, NO. 65, FILE 042860_C_000

NOTES:

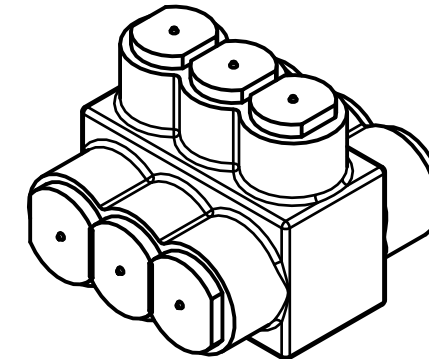
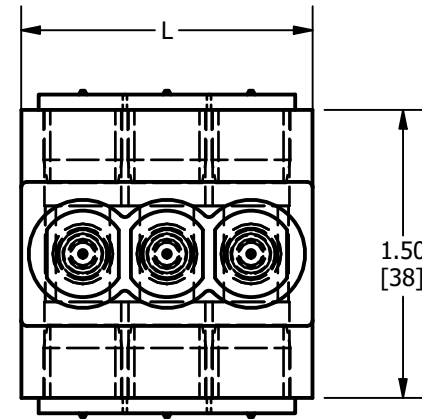
- DIMENSIONS IN BRACKETS [] ARE IN MILLIMETERS ROUNDED OFF TO THE NEAREST MILLIMETER, UNLESS OTHERWISE SPECIFIED AND ARE FOR REFERENCE ONLY.
- THIS DRAWING TO BE INTERPRETED PER ASME Y14.5M-2009.
- MATERIAL: BODY - TIN PLATED ALUMINUM
SCREW - CLEAR COATED ALUMINUM
INSULATION - PLASTISOL
CAPS - POLYETHOLENE
- OPERATING TEMPERATURE - -40°C TO 135°C.
- VOLTAGE RATING - 600 V.
- AMPERAGE RATING - 85 A.

TO ORDER BURNDY® PRODUCTS CALL		FULLY INSULATED DISTRIBUTION BLOCKS-UNITAP™	
UNITED STATES 1-800-346-4175 (LONDONDERRY, NH)		ITEM NO: SEE TABLE	
CANADA: 1-800-361-6975 (QUEBEC) 1-800-387-6487 (ALL OTHER PROVINCES)		CAT. NO: SEE TABLE	
FOR PRODUCT INFO: http://www.burndy.com		DRAWN BY: T.REYNOLDS 8/14/2014	
		CHECKER: T.REYNOLDS 8/27/2014	
		DSN APRVL: T.REYNOLDS 12/20/2015	
		MFG APRVL: --	
		QA APRVL: C.KOWALCZYK 12/20/2015	
		MKT APRVL: M.BAILEY 12/20/2015	
		PROJ #: LM15085	
		SIZE: B	
		DRAWING NO: SC210991	
		REV: C	
		SHEET 4 OF 15	

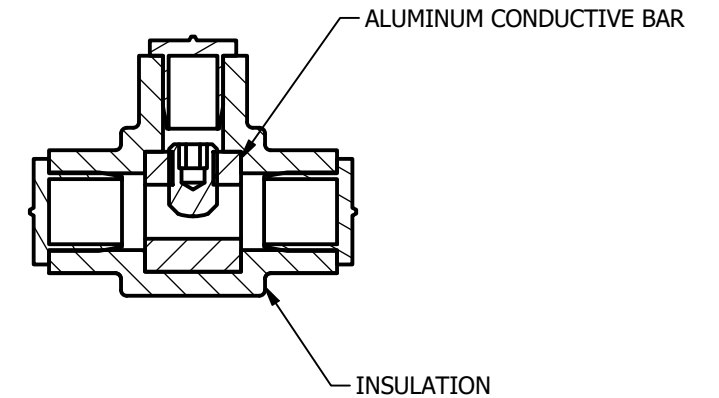
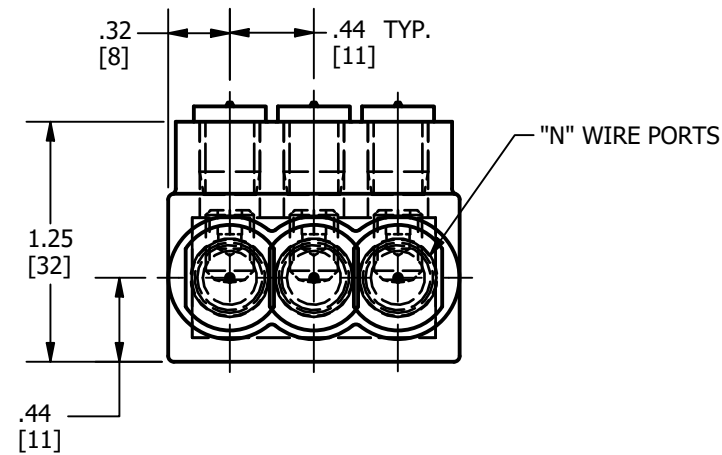
CATALOG NUMBER	ITEM NUMBER	WIRE RANGE	L	N	HEX KEY	STRIP LENGTH +/-1/32
BIBD42	25018646	#14-#4 CLASS B, C	0.83	2	1/8	9/16
BIBD43	25018650		1.268	3		
BIBD44	25018651		1.706	4		
BIBD45	25018900		2.144	5		
BIBD46	25018652		2.582	6		
BIBD48	25018850		3.458	8		

Wire Range	Torque, in-lbs	
#14 awg - #4	#14-#8	25
awg	#6-#4	35

REV	DATE	DESCRIPTION	ECO	BY	C'H'K.
C	07/20/2020	REDRAW	53372	JL	TR



FEATURES	BENEFITS
PLASTISOL COVERED AL 6060-T6 BODY	SAVES TIME, LOWERS INSTALLATION COST, ELIMINATES TAPING
CLEAR PLASTISOL	ALLOWS VISUAL CONFIRMATION THAT CONDUCTOR IS PROPERLY INSERTED
OXIDE-INHIBITOR IS PREFILLED	INHIBITS MOISTURE AND CONTAMINANTS FROM ENTERING THE CONTACT AREA
RANGE-TAKING IN BOTH CODE AND FLEX	REDUCES THE NUMBER OF CONNECTORS CARRIED IN INVENTORY
WIRE AND SCREW PORT COVERS	PROTECTS AGAINST CONTAMINATION AND ACCIDENTAL CONTACT OF ENERGIZED PARTS.

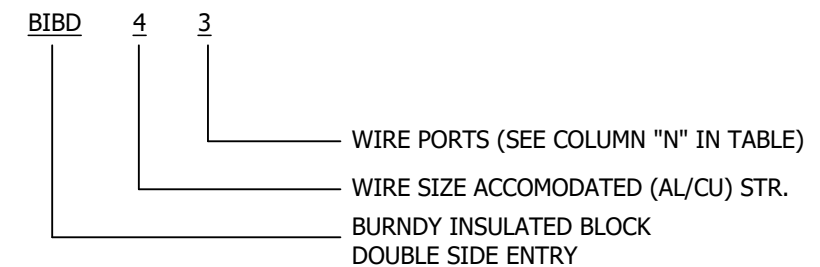


NOTES:

- DIMENSIONS IN BRACKETS [] ARE IN MILLIMETERS ROUNDED OFF TO THE NEAREST MILLIMETER, UNLESS OTHERWISE SPECIFIED AND ARE FOR REFERENCE ONLY.
- THIS DRAWING TO BE INTERPRETED PER ASME Y14.5M-2009.
- MATERIAL: BODY - TIN PLATED ALUMINUM
SCREW - CLEAR COATED ALUMINUM
INSULATION - PLASTISOL
CAPS - POLYETHOLENE
- OPERATING TEMPERATURE - -40°C TO 135°C.
- VOLTAGE RATING - 600 V.
- AMPERAGE RATING - 85 A.

LISTED TO 486A-B, FILE E9498

CERTIFIED TO C22.2, NO. 65, FILE 042860_C_000

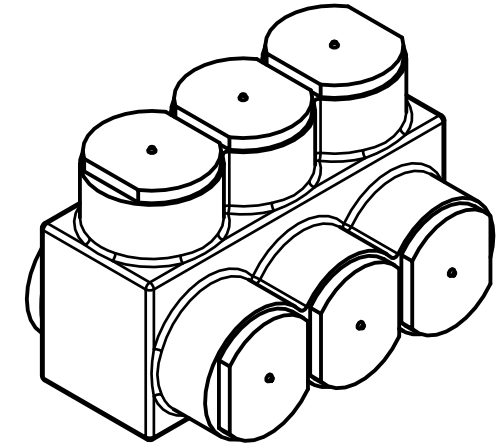
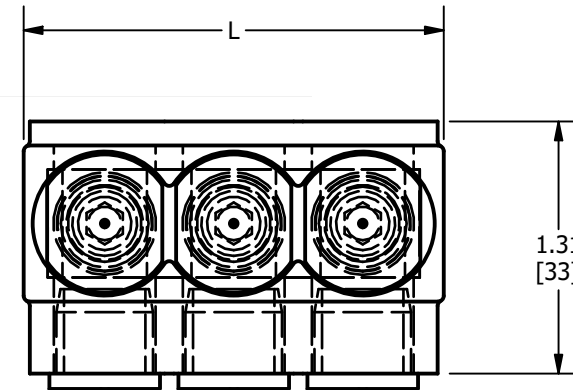


TO ORDER BURNDY® PRODUCTS CALL		FULLY INSULATED DISTRIBUTION BLOCKS-UNITAP™	
UNITED STATES 1-800-346-4175 (LONDONDERRY, NH)		ITEM NO: SEE TABLE	
CANADA: 1-800-361-6975 (QUEBEC) 1-800-387-6487 (ALL OTHER PROVINCES)		CAT. NO: SEE TABLE	
FOR PRODUCT INFO: http://www.burndy.com		DRAWN BY: T.REYNOLDS 8/14/2014	
		CHECKER: T.REYNOLDS 8/27/2014	
		DSN APRVL: T.REYNOLDS 12/20/2015	
		MFG APRVL: --	
		QA APRVL: C.KOWALCZYK 12/20/2015	
		MKT APRVL: M.BAILEY 12/20/2015	
		PROD FAM: --	
		DRAWING NO	
		REV	
		PROJECT #: LM15085	
		SIZE	
		SC210991	
		DOCUMENT TYPE: SALES	
		B	
		REL LEVEL: Released	
		SHEET 5 OF 15	
		C	

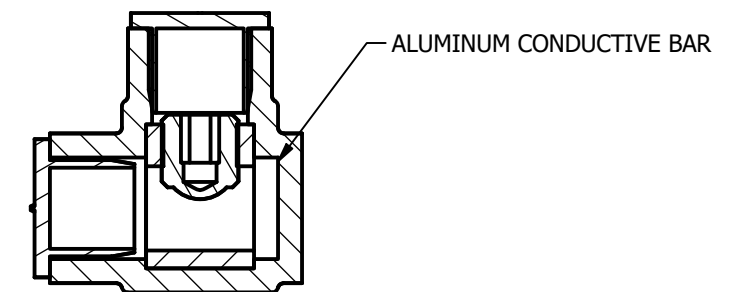
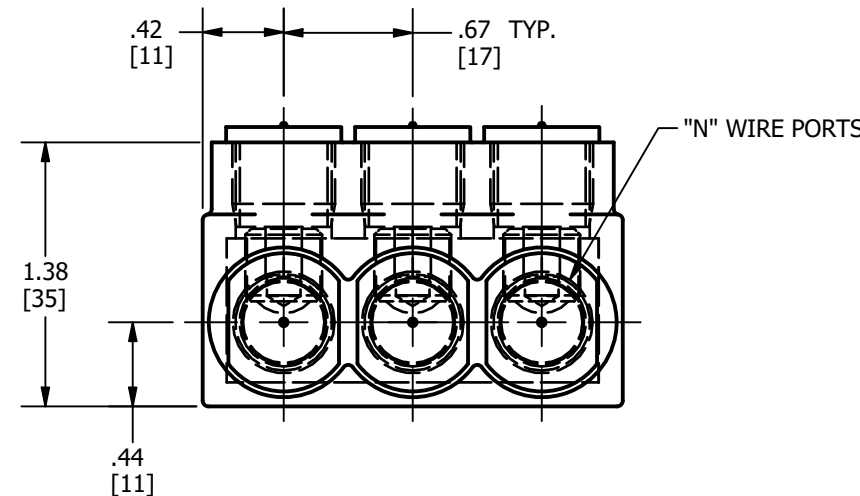
CATALOG NUMBER	ITEM NUMBER	WIRE RANGE	L	N	HEX KEY	STRIP LENGTH +/-1/32	TORQUE, IN-LBS
BIBS2/03	25018653	#14-2/0 CLASS B, C	1.938	3	3/16	5/8	120
BIBS2/04	25018654		2.610	4			
BIBS2/05	25018655		3.282	5			
BIBS2/06	25018656		3.954	6			
BIBS2/08	25018657		5.298	8			
BIBS2/010	25019644		6.642	10			
BIBS2/012	25019645		7.986	12			
BIBS2/014	25019646		9.330	14			

Wire Range	Torque, in-lbs	
#14 awg - 2/0	#14-#8	65
	#6-#4	80
	#2-2/0	100

REV	DATE	DESCRIPTION	ECO	BY	C'H'K.
C	07/20/2020	REDRAW	53372	JL	TR

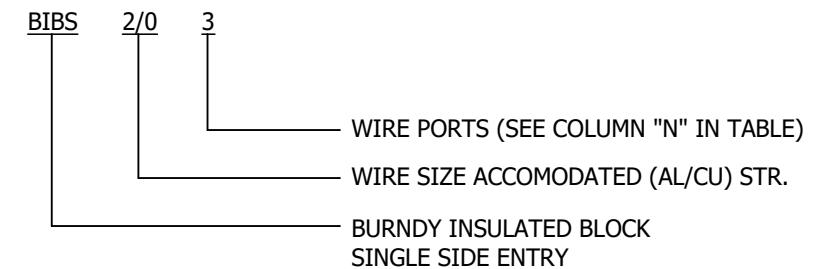


FEATURES	BENEFITS
PLASTISOL COVERED AL 6060-T6 BODY	SAVES TIME, LOWERS INSTALLATION COST, ELIMINATES TAPING
CLEAR PLASTISOL	ALLOWS VISUAL CONFIRMATION THAT CONDUCTOR IS PROPERLY INSERTED
OXIDE-INHIBITOR IS PREFILLED	INHIBITS MOISTURE AND CONTAMINANTS FROM ENTERING THE CONTACT AREA
RANGE-TAKING IN BOTH CODE AND FLEX	REDUCES THE NUMBER OF CONNECTORS CARRIED IN INVENTORY
WIRE AND SCREW PORT COVERS	PROTECTS AGAINST CONTAMINATION AND ACCIDENTAL CONTACT OF ENERGIZED PARTS.



LISTED TO 486A-B, FILE E9498

CERTIFIED TO C22.2, NO. 65, FILE 042860_C_000



NOTES:

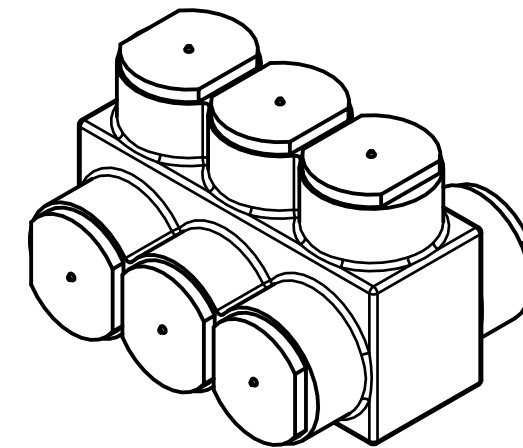
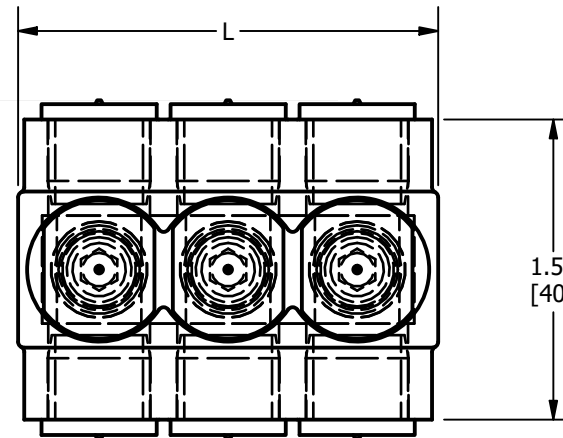
- DIMENSIONS IN BRACKETS [] ARE IN MILLIMETERS ROUNDED OFF TO THE NEAREST MILLIMETER, UNLESS OTHERWISE SPECIFIED AND ARE FOR REFERENCE ONLY.
- THIS DRAWING TO BE INTERPRETED PER ASME Y14.5M-2009.
- MATERIAL: BODY - TIN PLATED ALUMINUM
SCREW - CLEAR COATED ALUMINUM
INSULATION - PLASTISOL
CAPS - POLYETHOLENE
- OPERATING TEMPERATURE - -40°C TO 135°C.
- VOLTAGE RATING - 600 V.
- AMPERAGE RATING - 175 A.

TO ORDER BURNDY® PRODUCTS CALL		FULLY INSULATED DISTRIBUTION BLOCKS-UNITAP™													
UNITED STATES 1-800-346-4175 (LONDONDERRY, NH)		ITEM NO: SEE TABLE													
CANADA: 1-800-361-6975 (QUEBEC) 1-800-387-6487 (ALL OTHER PROVINCES)		CAT. NO: SEE TABLE													
FOR PRODUCT INFO: http://www.burndy.com		<table border="1"> <tr> <td>DRAWN BY: T.REYNOLDS</td> <td>8/14/2014</td> </tr> <tr> <td>CHECKER: T.REYNOLDS</td> <td>8/27/2014</td> </tr> <tr> <td>DSN APRVL: T.REYNOLDS</td> <td>12/20/2015</td> </tr> <tr> <td>MFG APRVL: --</td> <td></td> </tr> <tr> <td>QA APRVL: C.KOWALCZYK</td> <td>12/20/2015</td> </tr> <tr> <td>MKT APRVL: M.BAILEY</td> <td>12/20/2015</td> </tr> </table>		DRAWN BY: T.REYNOLDS	8/14/2014	CHECKER: T.REYNOLDS	8/27/2014	DSN APRVL: T.REYNOLDS	12/20/2015	MFG APRVL: --		QA APRVL: C.KOWALCZYK	12/20/2015	MKT APRVL: M.BAILEY	12/20/2015
DRAWN BY: T.REYNOLDS	8/14/2014														
CHECKER: T.REYNOLDS	8/27/2014														
DSN APRVL: T.REYNOLDS	12/20/2015														
MFG APRVL: --															
QA APRVL: C.KOWALCZYK	12/20/2015														
MKT APRVL: M.BAILEY	12/20/2015														
<table border="1"> <tr> <td>PROJECT #: LM15085</td> <td>SIZE</td> </tr> <tr> <td>DOCUMENT TYPE: SALES</td> <td>B</td> </tr> <tr> <td>REL LEVEL: Released</td> <td></td> </tr> </table>		PROJECT #: LM15085	SIZE	DOCUMENT TYPE: SALES	B	REL LEVEL: Released		<table border="1"> <tr> <td>DRAWING NO</td> <td>REV</td> </tr> <tr> <td>SC210991</td> <td>C</td> </tr> <tr> <td colspan="2">SHEET 6 OF 15</td> </tr> </table>		DRAWING NO	REV	SC210991	C	SHEET 6 OF 15	
PROJECT #: LM15085	SIZE														
DOCUMENT TYPE: SALES	B														
REL LEVEL: Released															
DRAWING NO	REV														
SC210991	C														
SHEET 6 OF 15															

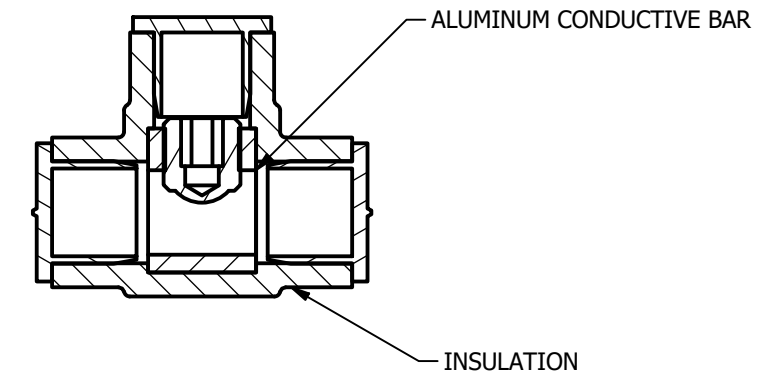
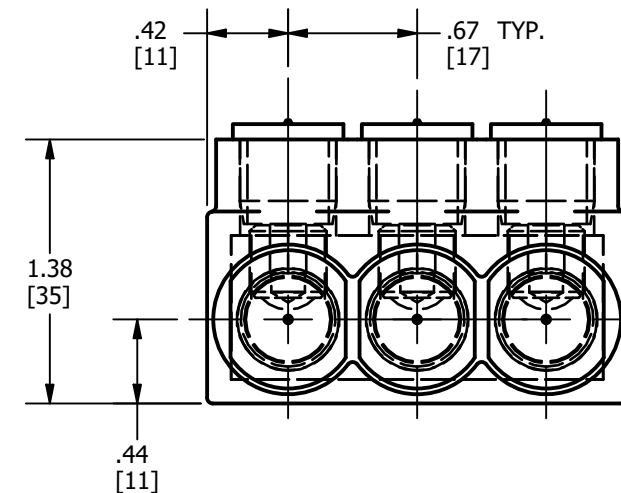
CATALOG NUMBER	ITEM NUMBER	WIRE RANGE	L	N	HEX KEY	STRIP LENGTH +/-1/32	TORQUE, IN-LBS
BIBD2/02	25018658	#14-2/0 CLASS B, C	1.266	2	3/16	5/8	120
BIBD2/03	25018659		1.938	3			
BIBD2/04	25018661		2.610	4			
BIBD2/05	25018662		3.282	5			
BIBD2/06	25018663		3.954	6			
BIBD2/08	25018664		5.298	8			
BIBD2/010	25019624		6.642	10			
BIBD2/012	25019625		7.986	12			
BIBD2/014	25019626	9.330	14				

REV	DATE	DESCRIPTION	ECO	BY	C'H'K.
C	07/20/2020	REDRAW	53372	JL	TR

Wire Range	Torque, in-lbs	
#14 awg - 2/0	#14-#8	65
	#6-#4	80
	#2-2/0	100

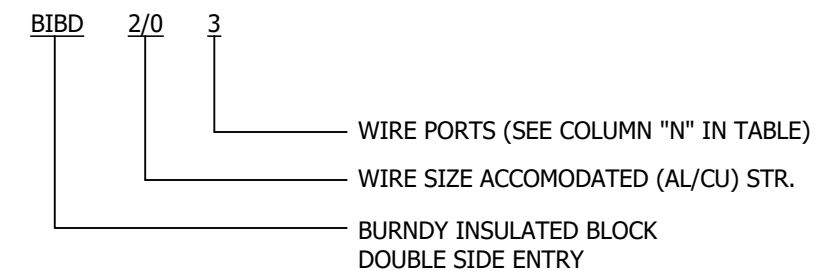


FEATURES	BENEFITS
PLASTISOL COVERED AL 6060-T6 BODY	SAVES TIME, LOWERS INSTALLATION COST, ELIMINATES TAPING
CLEAR PLASTISOL	ALLOWS VISUAL CONFIRMATION THAT CONDUCTOR IS PROPERLY INSERTED
OXIDE-INHIBITOR IS PREFILLED	INHIBITS MOISTURE AND CONTAMINANTS FROM ENTERING THE CONTACT AREA
RANGE-TAKING IN BOTH CODE AND FLEX	REDUCES THE NUMBER OF CONNECTORS CARRIED IN INVENTORY
WIRE AND SCREW PORT COVERS	PROTECTS AGAINST CONTAMINATION AND ACCIDENTAL CONTACT OF ENERGIZED PARTS.



LISTED TO 486A-B, FILE E9498

CERTIFIED TO C22.2, NO. 65, FILE 042860_C_000



NOTES:

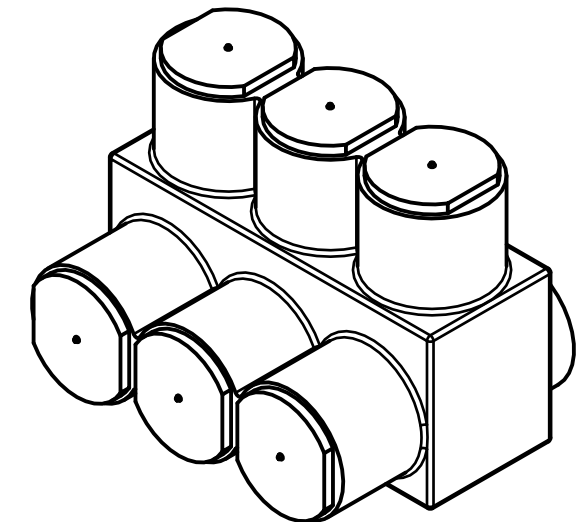
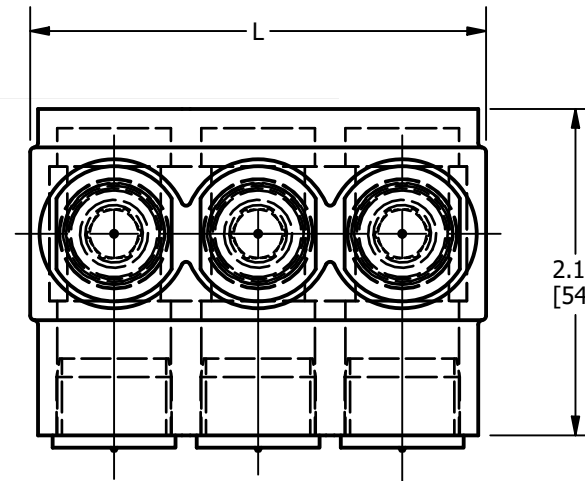
- DIMENSIONS IN BRACKETS [] ARE IN MILLIMETERS ROUNDED OFF TO THE NEAREST MILLIMETER, UNLESS OTHERWISE SPECIFIED AND ARE FOR REFERENCE ONLY.
- THIS DRAWING TO BE INTERPRETED PER ASME Y14.5M-2009.
- MATERIAL: BODY - TIN PLATED ALUMINUM
SCREW - CLEAR COATED ALUMINUM
INSULATION - PLASTISOL
CAPS - POLYETHOLENE
- OPERATING TEMPERATURE - -40°C TO 135°C.
- VOLTAGE RATING - 600 V.
- AMPERAGE RATING - 175 A.

TO ORDER BURNDY® PRODUCTS CALL UNITED STATES 1-800-346-4175 (LONDONDERRY, NH) CANADA: 1-800-361-6975 (QUEBEC) 1-800-387-6487 (ALL OTHER PROVINCES) FOR PRODUCT INFO: http://www.burndy.com	FULLY INSULATED DISTRIBUTION BLOCKS-UNITAP™	
	ITEM NO: SEE TABLE	CAT. NO: SEE TABLE
DRAWN BY: T.REYNOLDS 8/14/2014	CHECKER: T.REYNOLDS 8/27/2014	
DSN APRVL: T.REYNOLDS 12/20/2015	MFG APRVL: --	
QA APRVL: C.KOWALCZYK 12/20/2015	MKT APRVL: M.BAILEY 12/20/2015	PROJ #: LM15085
PROD FAM: --	SIZE: B	DRAWING NO: SC210991
DOCUMENT TYPE: SALES	REL LEVEL: Released	REV: C
		SHEET 7 OF 15

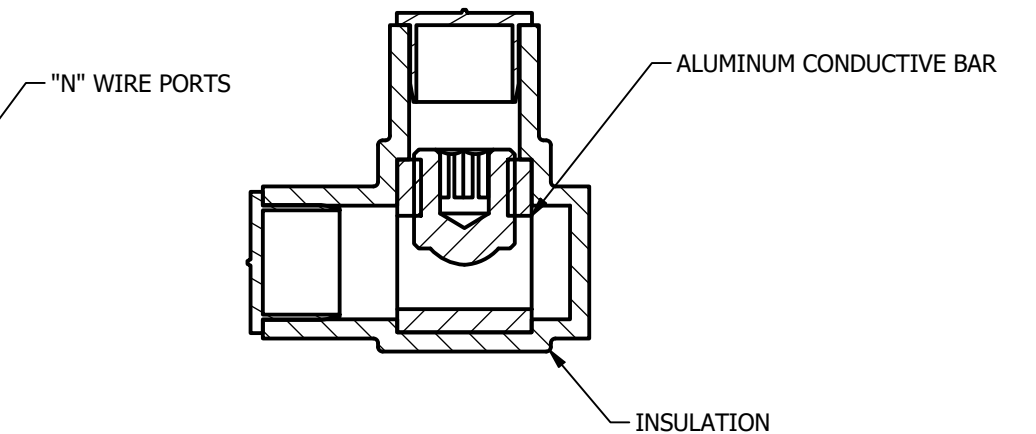
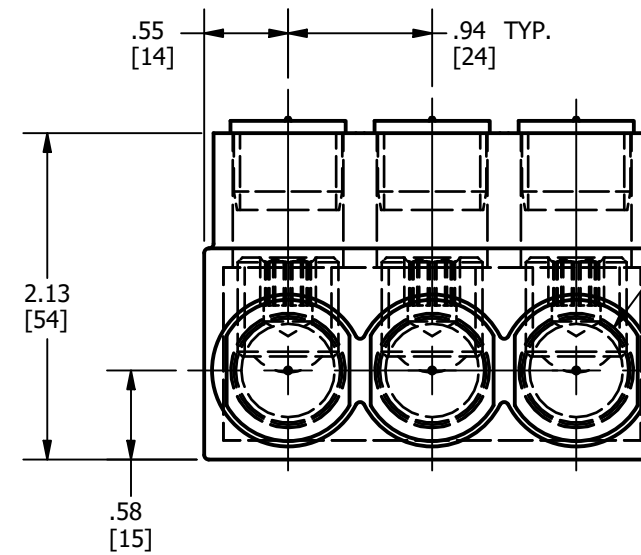
CATALOG NUMBER	ITEM NUMBER	WIRE RANGE	L	N	HEX KEY	STRIP LENGTH +/-1/32	TORQUE, IN-LBS
BIBS2503	25018665	#10-250 CLASS B, C	2.718	3	5/16	15/16	275
BIBS2504	25018667		3.656	4			
BIBS2505	25018669		4.594	5			
BIBS2506	25018670		5.532	6			
BIBS2508	25003667		7.408	8			
BIBS25010	25019647		9.284	10			
BIBS25012	25019648		11.160	12			
BIBS25014	25019649		13.036	14			

REV	DATE	DESCRIPTION	ECO	BY	C'H.K.
C	07/20/2020	REDRAW	53372	JL	TR

Wire Range	Torque, in-lbs	
#10 awg - 250	#10-#2	180
	1/0-250	225

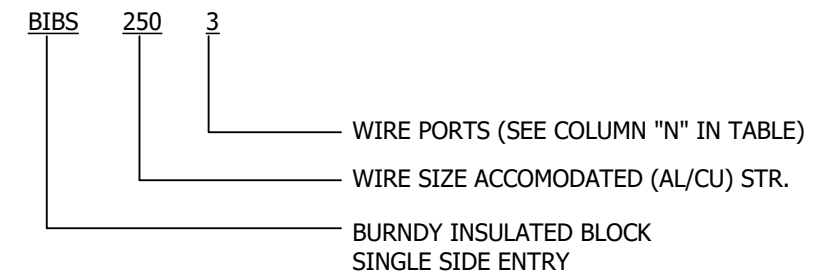


FEATURES	BENEFITS
PLASTISOL COVERED AL 6060-T6 BODY	SAVES TIME, LOWERS INSTALLATION COST, ELIMINATES TAPING
CLEAR PLASTISOL	ALLOWS VISUAL CONFIRMATION THAT CONDUCTOR IS PROPERLY INSERTED
OXIDE-INHIBITOR IS PREFILLED	INHIBITS MOISTURE AND CONTAMINANTS FROM ENTERING THE CONTACT AREA
RANGE-TAKING IN BOTH CODE AND FLEX	REDUCES THE NUMBER OF CONNECTORS CARRIED IN INVENTORY
WIRE AND SCREW PORT COVERS	PROTECTS AGAINST CONTAMINATION AND ACCIDENTAL CONTACT OF ENERGIZED PARTS.



LISTED TO 486A-B, FILE E9498

CERTIFIED TO C22.2, NO. 65, FILE 042860_C_000



NOTES:

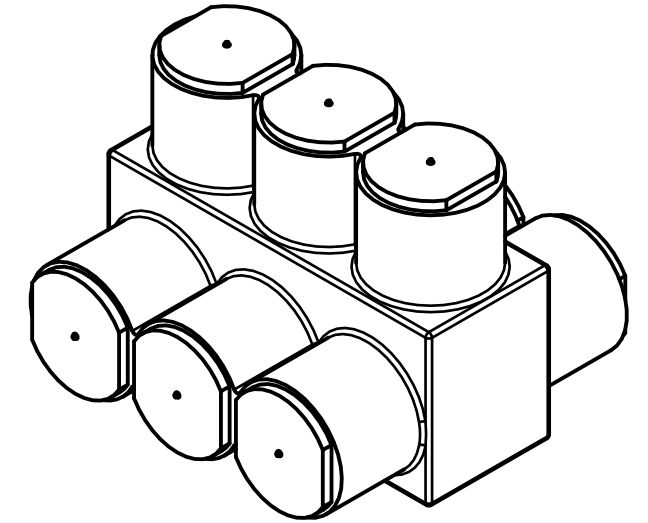
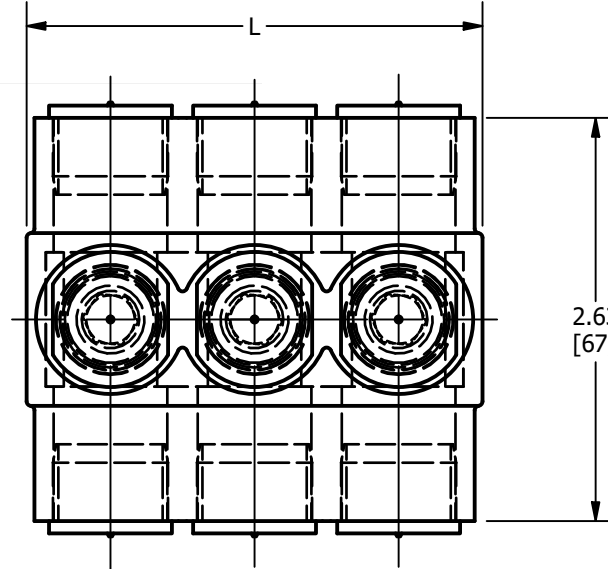
- DIMENSIONS IN BRACKETS [] ARE IN MILLIMETERS ROUNDED OFF TO THE NEAREST MILLIMETER, UNLESS OTHERWISE SPECIFIED AND ARE FOR REFERENCE ONLY.
- THIS DRAWING TO BE INTERPRETED PER ASME Y14.5M-2009.
- MATERIAL: BODY - TIN PLATED ALUMINUM
SCREW - CLEAR COATED ALUMINUM
INSULATION - PLASTISOL
CAPS - POLYETHOLENE
- OPERATING TEMPERATURE - -40°C TO 135°C.
- VOLTAGE RATING - 600 V.
- AMPERAGE RATING - 255 A.

TO ORDER BURNDY® PRODUCTS CALL		FULLY INSULATED DISTRIBUTION BLOCKS-UNITAP™	
UNITED STATES 1-800-346-4175 (LONDONDERRY, NH)		ITEM NO: SEE TABLE	
CANADA: 1-800-361-6975 (QUEBEC) 1-800-387-6487 (ALL OTHER PROVINCES)		CAT. NO: SEE TABLE	
FOR PRODUCT INFO: http://www.burndy.com		DRAWN BY: T.REYNOLDS 8/14/2014	
		CHECKER: T.REYNOLDS 8/27/2014	
		DSN APRVL: T.REYNOLDS 12/20/2015	
		MFG APRVL: --	
		QA APRVL: C.KOWALCZYK 12/20/2015	
		MKT APRVL: M.BAILEY 12/20/2015	
		PROJ #: LM15085	
		SIZE: B	
		DRAWING NO: SC210991	
		REV: C	
		SHEET 8 OF 15	

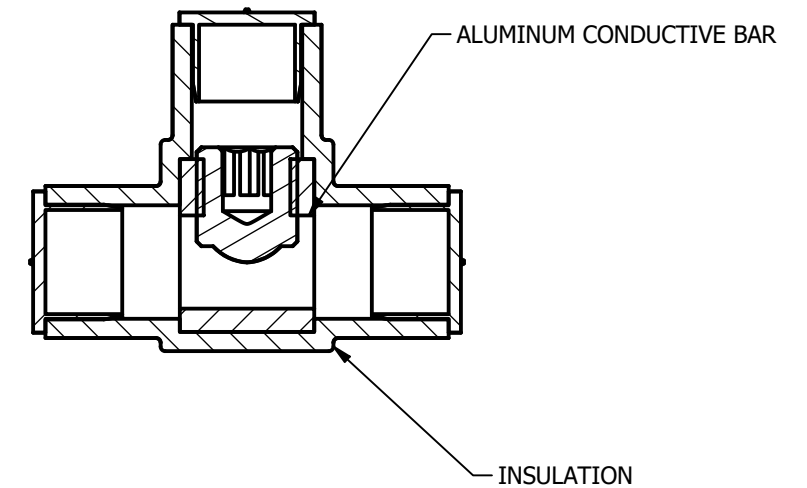
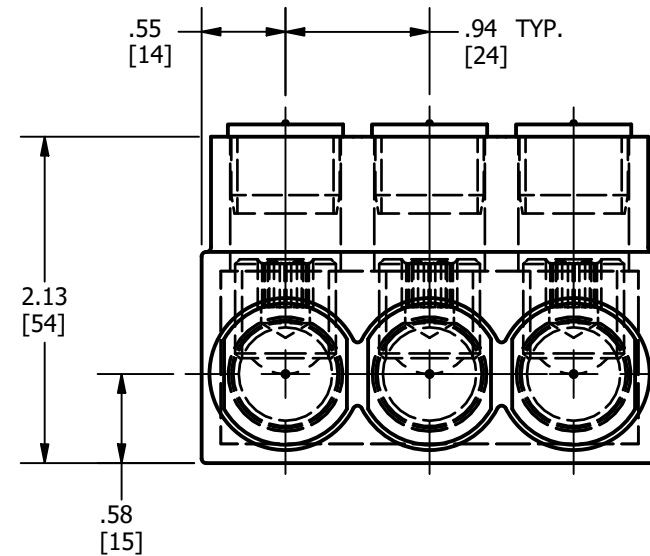
CATALOG NUMBER	ITEM NUMBER	WIRE RANGE	L	N	HEX KEY	STRIP LENGTH +/-1/32	TORQUE, IN-LBS
BIBD2502	25018671	#10-250 CLASS B, C	1.780	2	5/16	15/16	275
BIBD2503	25003681		2.718	3			
BIBD2504	25003682		3.656	4			
BIBD2505	25003683		4.594	5			
BIBD2506	25003684		5.532	6			
BIBD2508	25018672		7.408	8			
BIBD25010	25019627		9.284	10			
BIBD25012	25019628		11.160	12			
BIBD25014	25019629		13.036	14			

Wire Range	Torque, in-lbs	
#10 awg - 250	#10-#2	180
	1/0-250	225

REV	DATE	DESCRIPTION	ECO	BY	C'H'K.
C	07/20/2020	REDRAW	53372	JL	TR

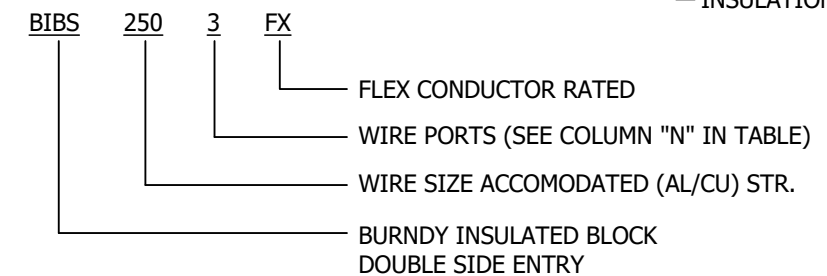


FEATURES	BENEFITS
PLASTISOL COVERED AL 6060-T6 BODY	SAVES TIME, LOWERS INSTALLATION COST, ELIMINATES TAPING
CLEAR PLASTISOL	ALLOWS VISUAL CONFIRMATION THAT CONDUCTOR IS PROPERLY INSERTED
OXIDE-INHIBITOR IS PREFILLED	INHIBITS MOISTURE AND CONTAMINANTS FROM ENTERING THE CONTACT AREA
RANGE-TAKING IN BOTH CODE AND FLEX	REDUCES THE NUMBER OF CONNECTORS CARRIED IN INVENTORY
WIRE AND SCREW PORT COVERS	PROTECTS AGAINST CONTAMINATION AND ACCIDENTAL CONTACT OF ENERGIZED PARTS.



LISTED TO 486A-B, FILE E9498

CERTIFIED TO C22.2, NO. 65, FILE 042860_C_000



NOTES:

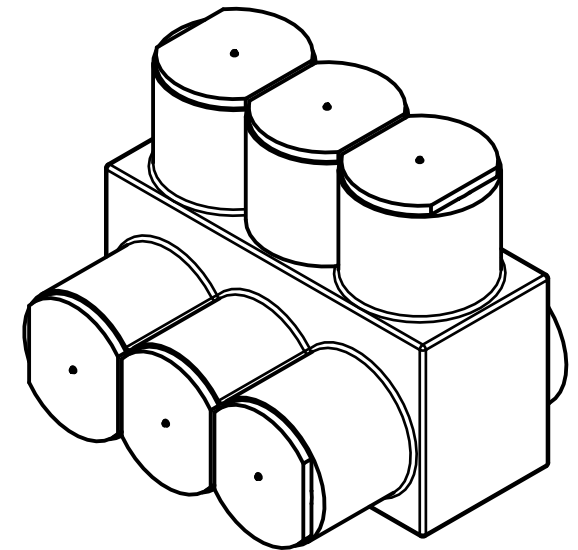
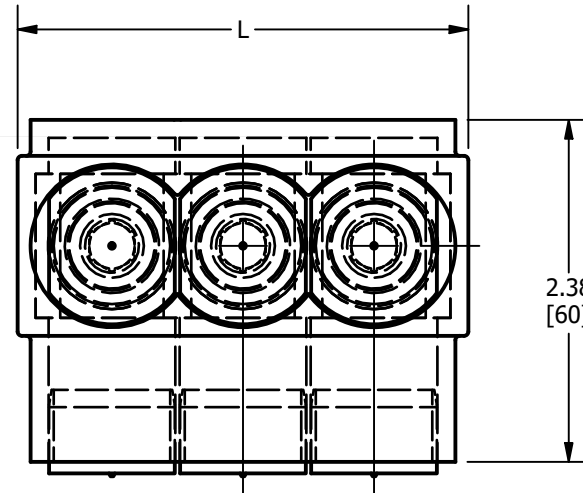
- DIMENSIONS IN BRACKETS [] ARE IN MILLIMETERS ROUNDED OFF TO THE NEAREST MILLIMETER, UNLESS OTHERWISE SPECIFIED AND ARE FOR REFERENCE ONLY.
- THIS DRAWING TO BE INTERPRETED PER ASME Y14.5M-2009.
- MATERIAL: BODY - TIN PLATED ALUMINUM
SCREW - CLEAR COATED ALUMINUM
INSULATION - PLASTISOL
CAPS - POLYETHOLENE
- OPERATING TEMPERATURE - -40°C TO 135°C.
- VOLTAGE RATING - 600 V.
- AMPERAGE RATING - 255 A.

TO ORDER BURNDY® PRODUCTS CALL		FULLY INSULATED DISTRIBUTION BLOCKS-UNITAP™	
UNITED STATES 1-800-346-4175 (LONDONDERRY, NH)		ITEM NO: SEE TABLE	
CANADA: 1-800-361-6975 (QUEBEC) 1-800-387-6487 (ALL OTHER PROVINCES)		CAT. NO: SEE TABLE	
FOR PRODUCT INFO: http://www.burndy.com		DRAWN BY: T.REYNOLDS 8/14/2014	
		CHECKER: T.REYNOLDS 8/27/2014	
		DSN APRVL: T.REYNOLDS 12/20/2015	
		MFG APRVL: --	
		QA APRVL: C.KOWALCZYK 12/20/2015	
		MKT APRVL: M.BAILEY 12/20/2015	
		PROD FAM: --	
		DRAWING NO	
		SC210991	
		REV	
		C	
		SHEET 9 OF 15	

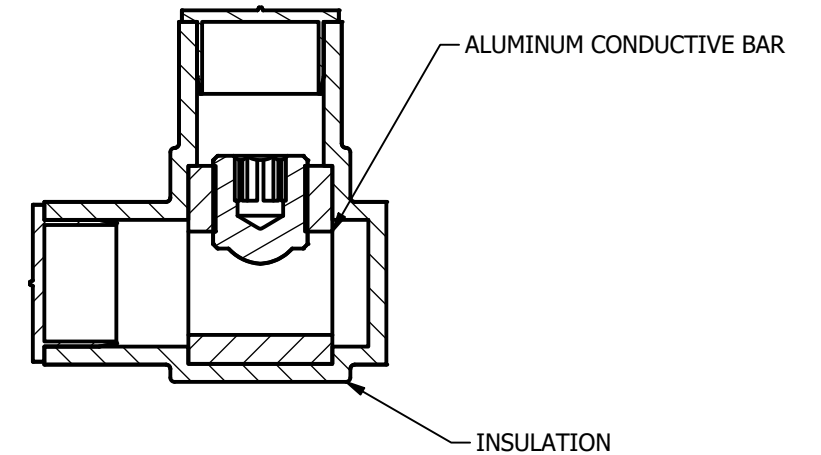
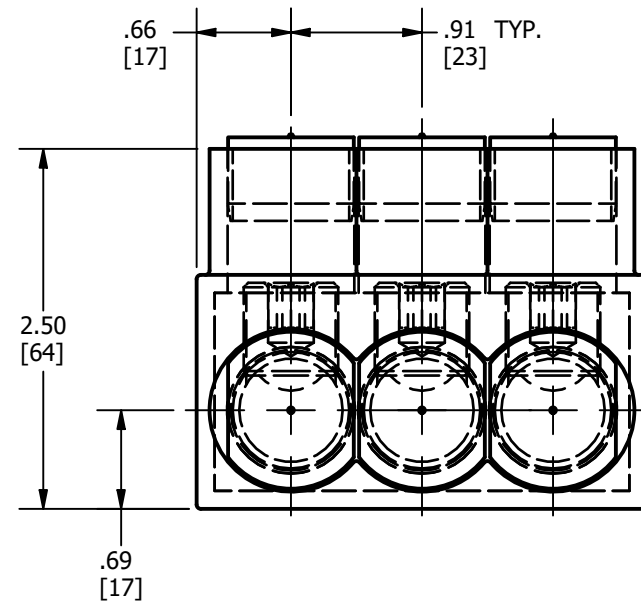
CATALOG NUMBER	ITEM NUMBER	WIRE RANGE	L	N	HEX KEY	STRIP LENGTH +/-1/32	TORQUE, IN-LBS
BIBS3503	25003666	#10-350 CLASS B, C	2.880	3	5/16	1 1/16	275
BIBS3504	25003690		3.790	4			
BIBS3505	25003691		4.700	5			
BIBS3506	25003692		5.610	6			
BIBS3508	25018673		7.430	8			
BIBS35010	25019650		9.250	10			
BIBS35012	25019651		11.070	12			
BIBS35014	25019652		12.890	14			

Wire Range	Torque, in-lbs	
#10 awg - 350 kcmil	#10-1/0	220
	2/0-4/0	260
	250-350	300

REV	DATE	DESCRIPTION	ECO	BY	C'H'K.
C	07/20/2020	REDRAW	53372	JL	TR



FEATURES	BENEFITS
PLASTISOL COVERED AL 6060-T6 BODY	SAVES TIME, LOWERS INSTALLATION COST, ELIMINATES TAPING
CLEAR PLASTISOL	ALLOWS VISUAL CONFIRMATION THAT CONDUCTOR IS PROPERLY INSERTED
OXIDE-INHIBITOR IS PREFILLED	INHIBITS MOISTURE AND CONTAMINANTS FROM ENTERING THE CONTACT AREA
RANGE-TAKING IN BOTH CODE AND FLEX	REDUCES THE NUMBER OF CONNECTORS CARRIED IN INVENTORY
WIRE AND SCREW PORT COVERS	PROTECTS AGAINST CONTAMINATION AND ACCIDENTAL CONTACT OF ENERGIZED PARTS.

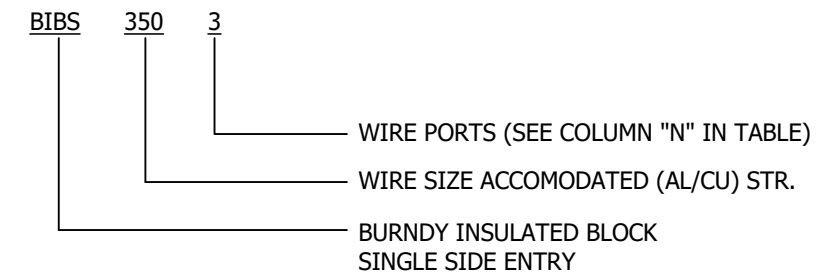


NOTES:

- DIMENSIONS IN BRACKETS [] ARE IN MILLIMETERS ROUNDED OFF TO THE NEAREST MILLIMETER, UNLESS OTHERWISE SPECIFIED AND ARE FOR REFERENCE ONLY.
- THIS DRAWING TO BE INTERPRETED PER ASME Y14.5M-2009.
- MATERIAL: BODY - TIN PLATED ALUMINUM
SCREW - CLEAR COATED ALUMINUM
INSULATION - PLASTISOL
CAPS - POLYETHYLENE
- OPERATING TEMPERATURE - -40°C TO 135°C.
- VOLTAGE RATING - 600 V.
- AMPERAGE RATING - 310 A.

LISTED TO 486A-B, FILE E9498

CERTIFIED TO C22.2, NO. 65, FILE 042860_C_000

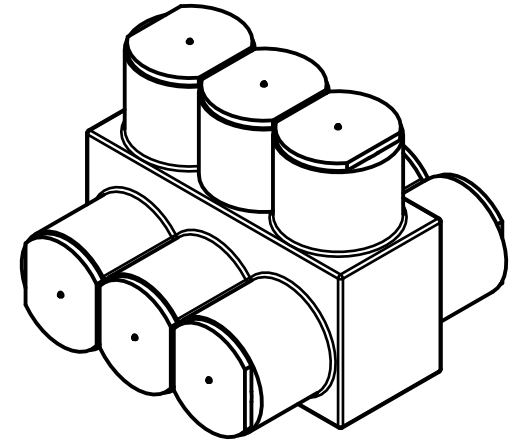
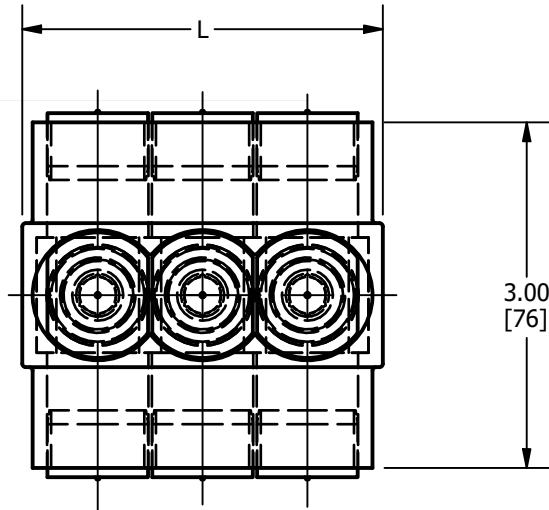


TO ORDER BURNDY® PRODUCTS CALL		FULLY INSULATED DISTRIBUTION BLOCKS-UNITAP™	
UNITED STATES 1-800-346-4175 (LONDONDERRY, NH)		ITEM NO: SEE TABLE	
CANADA: 1-800-361-6975 (QUEBEC) 1-800-387-6487 (ALL OTHER PROVINCES)		CAT. NO: SEE TABLE	
FOR PRODUCT INFO: http://www.burndy.com		DRAWN BY: T.REYNOLDS 8/14/2014	
		CHECKER: T.REYNOLDS 8/27/2014	
		DSN APRVL: T.REYNOLDS 12/20/2015	
		MFG APRVL: --	
		QA APRVL: C.KOWALCZYK 12/20/2015	
		MKT APRVL: M.BAILEY 12/20/2015	
		PROD FAM: --	
		DRAWING NO	
		SC210991	
		REV	
		C	
		SHEET 10 OF 15	

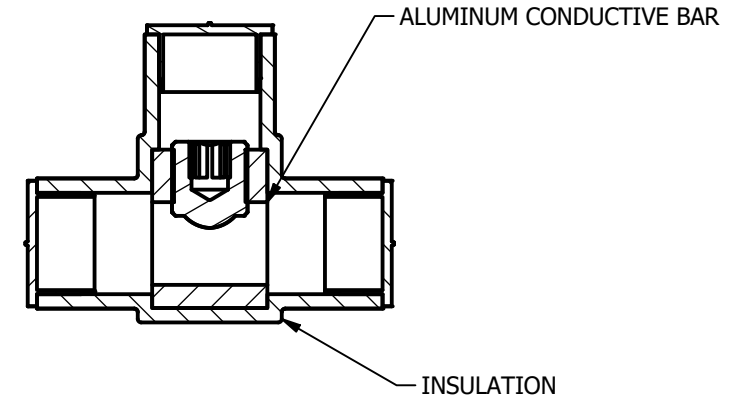
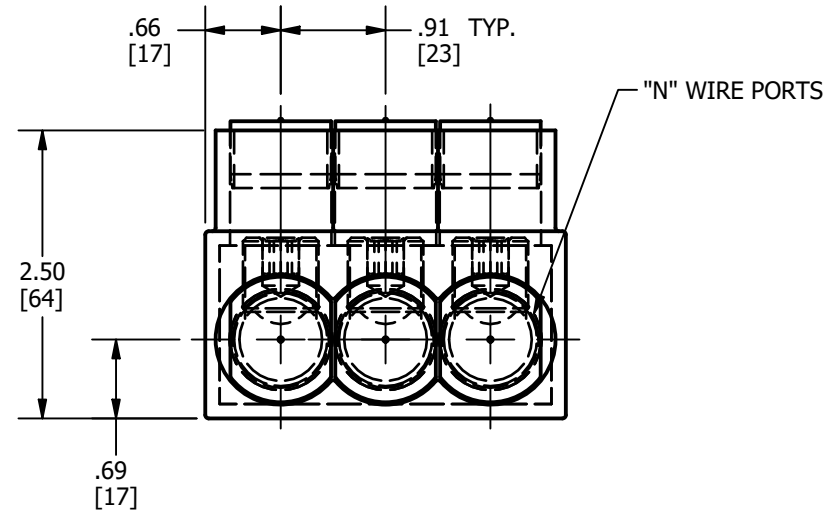
CATALOG NUMBER	ITEM NUMBER	WIRE RANGE	L	N	HEX KEY	STRIP LENGTH +/-1/32	TORQUE, IN-LBS
BIBD3502	25018674	#10-350 CLASS B, C	1.970	2	5/16	1 1/16	275
BIBD3503	25003685		2.880	3			
BIBD3504	25003686		3.790	4			
BIBD3505	25003687		4.700	5			
BIBD3506	25003688		5.610	6			
BIBD3508	25018675		7.430	8			
BIBD35010	25019630		9.250	10			
BIBD35012	25019631		11.070	12			
BIBD35014	25019632	12.890	14				

Wire Range	Torque, in-lbs	
#10 awg - 350 kcmil	#10-1/0	220
	2/0-4/0	260
	250-350	300

REV	DATE	DESCRIPTION	ECO	BY	C'H'K.
C	07/20/2020	REDRAW	53372	JL	TR

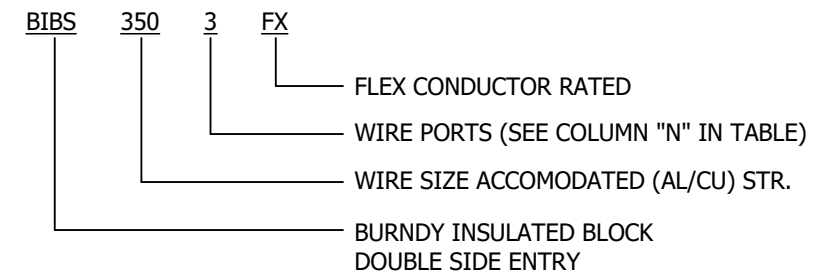


FEATURES	BENEFITS
PLASTISOL COVERED AL 6060-T6 BODY	SAVES TIME, LOWERS INSTALLATION COST, ELIMINATES TAPING
CLEAR PLASTISOL	ALLOWS VISUAL CONFIRMATION THAT CONDUCTOR IS PROPERLY INSERTED
OXIDE-INHIBITOR IS PREFILLED	INHIBITS MOISTURE AND CONTAMINANTS FROM ENTERING THE CONTACT AREA
RANGE-TAKING IN BOTH CODE AND FLEX	REDUCES THE NUMBER OF CONNECTORS CARRIED IN INVENTORY
WIRE AND SCREW PORT COVERS	PROTECTS AGAINST CONTAMINATION AND ACCIDENTAL CONTACT OF ENERGIZED PARTS.



LISTED TO 486A-B, FILE E9498

CERTIFIED TO C22.2, NO. 65, FILE 042860_C_000



NOTES:

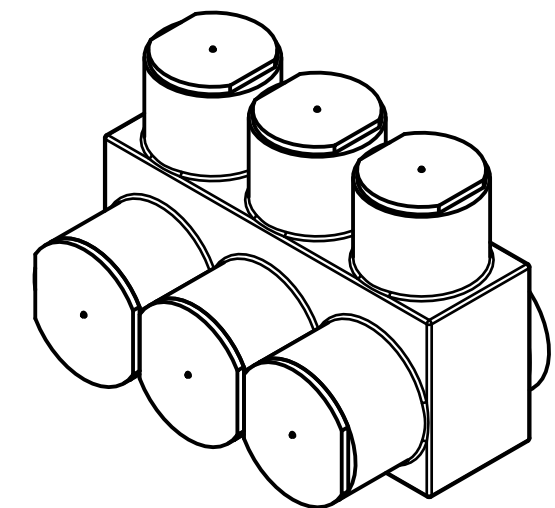
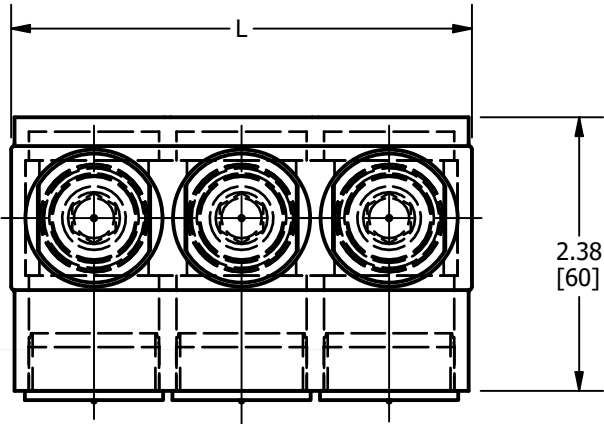
- DIMENSIONS IN BRACKETS [] ARE IN MILLIMETERS ROUNDED OFF TO THE NEAREST MILLIMETER, UNLESS OTHERWISE SPECIFIED AND ARE FOR REFERENCE ONLY.
- THIS DRAWING TO BE INTERPRETED PER ASME Y14.5M-2009.
- MATERIAL: BODY - TIN PLATED ALUMINUM
SCREW - CLEAR COATED ALUMINUM
INSULATION - PLASTISOL
CAPS - POLYETHOLENE
- OPERATING TEMPERATURE - -40°C TO 135°C.
- VOLTAGE RATING - 600 V.
- AMPERAGE RATING - 310 A.

TO ORDER BURNDY® PRODUCTS CALL		FULLY INSULATED DISTRIBUTION BLOCKS-UNITAP™	
UNITED STATES 1-800-346-4175 (LONDONDERRY, NH)		ITEM NO: SEE TABLE	
CANADA: 1-800-361-6975 (QUEBEC) 1-800-387-6487 (ALL OTHER PROVINCES)		CAT. NO: SEE TABLE	
FOR PRODUCT INFO: http://www.burndy.com		DRAWN BY: T.REYNOLDS 8/14/2014	
		CHECKER: T.REYNOLDS 8/27/2014	
		DSN APRVL: T.REYNOLDS 12/20/2015	
		MFG APRVL: --	
		QA APRVL: C.KOWALCZYK 12/20/2015	
		MKT APRVL: M.BAILEY 12/20/2015	
		PROD FAM: --	
		DRAWING NO	
		SC210991	
		REV	
		C	

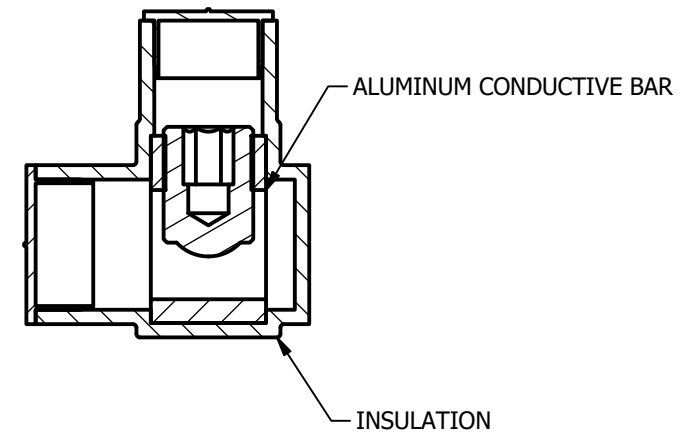
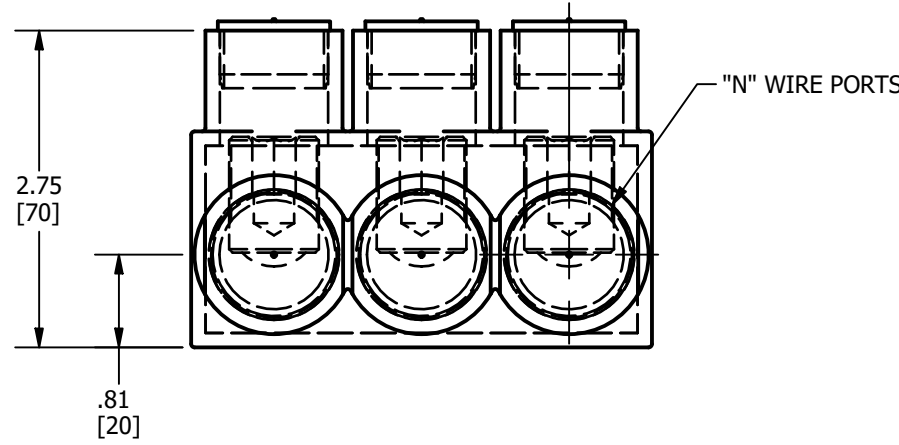
CATALOG NUMBER	ITEM NUMBER	WIRE RANGE	L	N	HEX KEY	STRIP LENGTH +/--1/32	TORQUE, IN-LBS
BIBS6003	25018676	#4-600 CLASS B, C	3.750	3	3/8	1 1/16	375
BIBS6004	25018676		5.031	4			
BIBS6005	25018676		6.312	5			
BIBS6006	25018676		7.593	6			
BIBS6008	25018676		10.155	8			
BIBS60010	25018676		12.717	10			
BIBS60012	25018676		15.279	12			
BIBS60014	25018676		17.841	14			

REV	DATE	DESCRIPTION	ECO	BY	C'H'K.
C	07/20/2020	REDRAW	53372	JL	TR

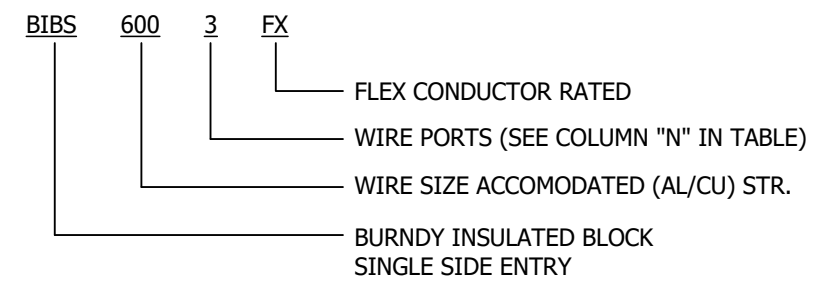
Wire Range	Torque, in-lbs	
#4 awg - 600 kcmil	#4-1/0	300
	2/0-4/0	350
	250-600	400



FEATURES	BENEFITS
PLASTISOL COVERED AL 6060-T6 BODY	SAVES TIME, LOWERS INSTALLATION COST, ELIMINATES TAPING
CLEAR PLASTISOL	ALLOWS VISUAL CONFIRMATION THAT CONDUCTOR IS PROPERLY INSERTED
OXIDE-INHIBITOR IS PREFILLED	INHIBITS MOISTURE AND CONTAMINANTS FROM ENTERING THE CONTACT AREA
RANGE-TAKING IN BOTH CODE AND FLEX	REDUCES THE NUMBER OF CONNECTORS CARRIED IN INVENTORY
WIRE AND SCREW PORT COVERS	PROTECTS AGAINST CONTAMINATION AND ACCIDENTAL CONTACT OF ENERGIZED PARTS.



- LISTED TO 486A-B, FILE E9498
- CERTIFIED TO C22.2, NO. 65, FILE 042860_C_000



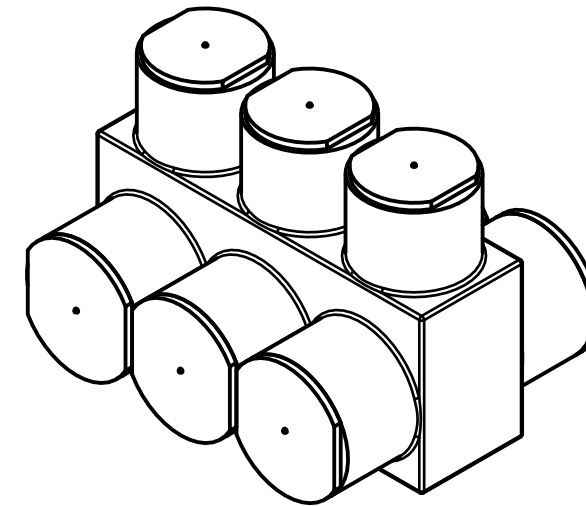
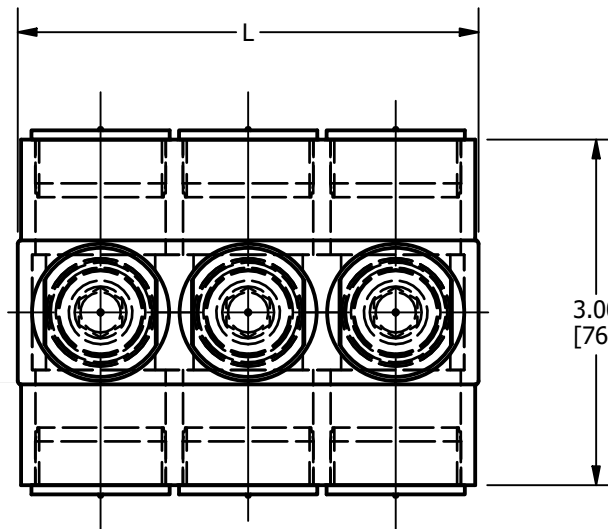
- NOTES:**
- DIMENSIONS IN BRACKETS [] ARE IN MILLIMETERS ROUNDED OFF TO THE NEAREST MILLIMETER, UNLESS OTHERWISE SPECIFIED AND ARE FOR REFERENCE ONLY.
 - THIS DRAWING TO BE INTERPRETED PER ASME Y14.5M-2009.
 - MATERIAL: BODY - TIN PLATED ALUMINUM
SCREW - CLEAR COATED ALUMINUM
INSULATION - PLASTISOL
CAPS - POLYETHOLENE
 - OPERATING TEMPERATURE - -40°C TO 135°C.
 - VOLTAGE RATING - 600 V.
 - AMPERAGE RATING - 420 A.

TO ORDER BURNDY® PRODUCTS CALL		FULLY INSULATED DISTRIBUTION BLOCKS-UNITAP™	
UNITED STATES 1-800-346-4175 (LONDONDERRY, NH)		ITEM NO: SEE TABLE	
CANADA: 1-800-361-6975 (QUEBEC) 1-800-387-6487 (ALL OTHER PROVINCES)		CAT. NO: SEE TABLE	
FOR PRODUCT INFO: http://www.burndy.com		DRAWN BY: T.REYNOLDS	8/14/2014
		CHECKER: T.REYNOLDS	8/27/2014
		DSN APRVL: T.REYNOLDS	12/20/2015
		MFG APRVL: --	
		QA APRVL: C.KOWALCZYK	12/20/2015
		MKT APRVL: M.BAILEY	12/20/2015
		PROD FAM: --	
		PROJECT #: LM15085	SIZE
		DOCUMENT TYPE: SALES	B
		REL LEVEL: Released	
		DRAWING NO	REV
		SC210991	C
		SHEET 12 OF 15	

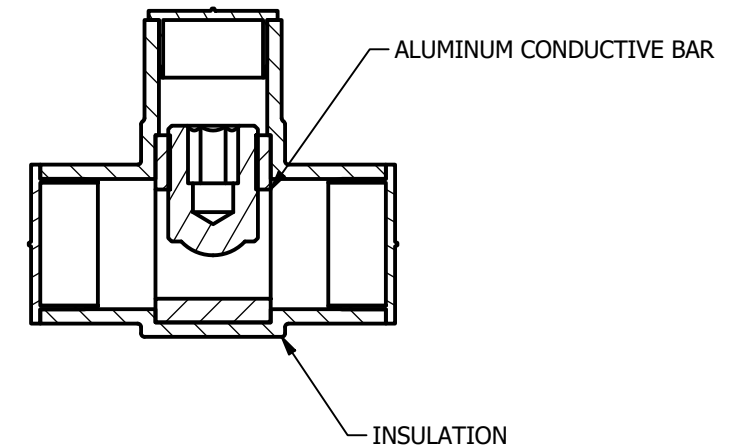
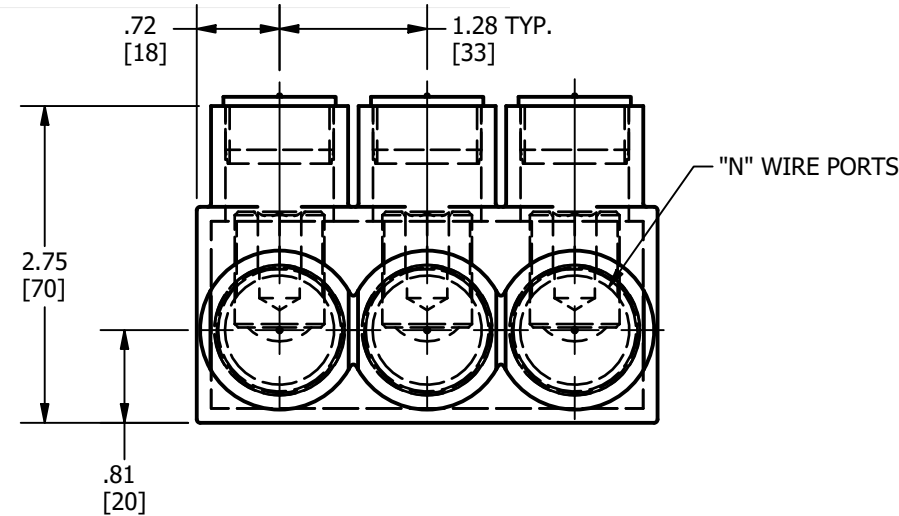
CATALOG NUMBER	ITEM NUMBER	WIRE RANGE	L	N	HEX KEY	STRIP LENGTH +/--1/32	TORQUE, IN-LBS
BIBD6002	25018681	#4-600 CLASS B, C	2.469	2	3/8	1 1/16	375
BIBD6003	25018852		3.750	3			
BIBD6004	25018682		5.031	4			
BIBD6005	25018683		6.312	5			
BIBD6006	25018684		7.593	6			
BIBD6008	25018685		10.155	8			
BIBD60010	25019633		12.717	10			
BIBD60012	25019634		15.279	12			
BIBD60014	25019635	17.841	14				

REV	DATE	DESCRIPTION	ECO	BY	C'H'K.
C	07/20/2020	REDRAW	53372	JL	TR

Wire Range	Torque, in-lbs	
#4 awg - 600 kcmil	#4-1/0	300
	2/0-4/0	350
	250-600	400

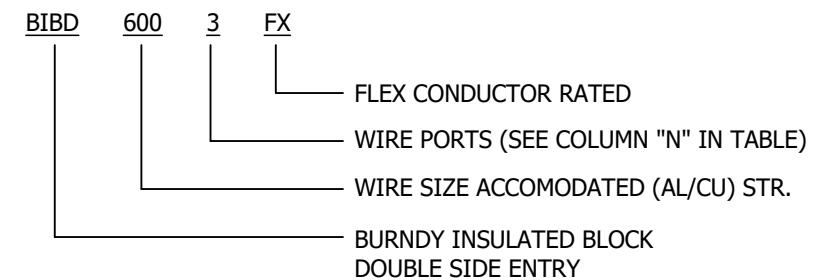


FEATURES	BENEFITS
PLASTISOL COVERED AL 6060-T6 BODY	SAVES TIME, LOWERS INSTALLATION COST, ELIMINATES TAPING
CLEAR PLASTISOL	ALLOWS VISUAL CONFIRMATION THAT CONDUCTOR IS PROPERLY INSERTED
OXIDE-INHIBITOR IS PREFILLED	INHIBITS MOISTURE AND CONTAMINANTS FROM ENTERING THE CONTACT AREA
RANGE-TAKING IN BOTH CODE AND FLEX	REDUCES THE NUMBER OF CONNECTORS CARRIED IN INVENTORY
WIRE AND SCREW PORT COVERS	PROTECTS AGAINST CONTAMINATION AND ACCIDENTAL CONTACT OF ENERGIZED PARTS.



LISTED TO 486A-B, FILE E9498

CERTIFIED TO C22.2, NO. 65, FILE 042860_C_000



NOTES:

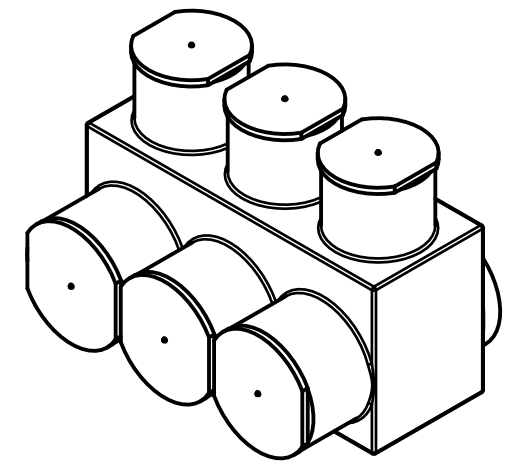
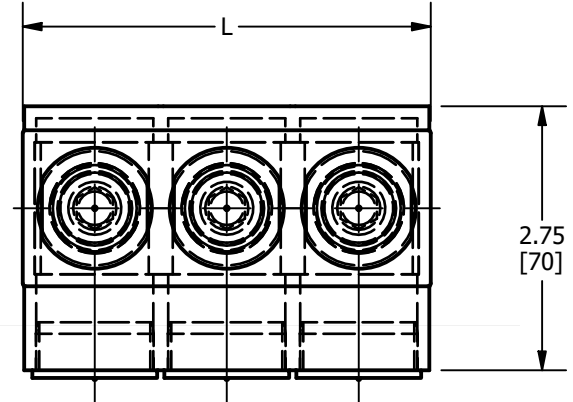
- DIMENSIONS IN BRACKETS [] ARE IN MILLIMETERS ROUNDED OFF TO THE NEAREST MILLIMETER, UNLESS OTHERWISE SPECIFIED AND ARE FOR REFERENCE ONLY.
- THIS DRAWING TO BE INTERPRETED PER ASME Y14.5M-2009.
- MATERIAL: BODY - TIN PLATED ALUMINUM
SCREW - CLEAR COATED ALUMINUM
INSULATION - PLASTISOL
CAPS - POLYETHOLENE
- OPERATING TEMPERATURE - -40°C TO 135°C.
- VOLTAGE RATING - 600 V.
- AMPERAGE RATING - 420 A.

TO ORDER BURNDY® PRODUCTS CALL		FULLY INSULATED DISTRIBUTION BLOCKS-UNITAP™															
UNITED STATES 1-800-346-4175 (LONDONDERRY, NH)		ITEM NO: SEE TABLE															
CANADA: 1-800-361-6975 (QUEBEC) 1-800-387-6487 (ALL OTHER PROVINCES)		CAT. NO: SEE TABLE															
FOR PRODUCT INFO: http://www.burndy.com		<table border="1"> <tr> <td>DRAWN BY: T.REYNOLDS</td> <td>8/14/2014</td> </tr> <tr> <td>CHECKER: T.REYNOLDS</td> <td>8/27/2014</td> </tr> <tr> <td>DSN APRVL: T.REYNOLDS</td> <td>12/20/2015</td> </tr> <tr> <td>MFG APRVL: --</td> <td></td> </tr> <tr> <td>QA APRVL: C.KOWALCZYK</td> <td>12/20/2015</td> </tr> <tr> <td>MKT APRVL: M.BAILEY</td> <td>12/20/2015</td> </tr> <tr> <td>PROD FAM: --</td> <td></td> </tr> </table>		DRAWN BY: T.REYNOLDS	8/14/2014	CHECKER: T.REYNOLDS	8/27/2014	DSN APRVL: T.REYNOLDS	12/20/2015	MFG APRVL: --		QA APRVL: C.KOWALCZYK	12/20/2015	MKT APRVL: M.BAILEY	12/20/2015	PROD FAM: --	
DRAWN BY: T.REYNOLDS	8/14/2014																
CHECKER: T.REYNOLDS	8/27/2014																
DSN APRVL: T.REYNOLDS	12/20/2015																
MFG APRVL: --																	
QA APRVL: C.KOWALCZYK	12/20/2015																
MKT APRVL: M.BAILEY	12/20/2015																
PROD FAM: --																	
		<table border="1"> <tr> <td>PROJECT #: LM15085</td> <td>SIZE</td> </tr> <tr> <td>DOCUMENT TYPE: SALES</td> <td>B</td> </tr> <tr> <td>REL LEVEL: Released</td> <td></td> </tr> </table>	PROJECT #: LM15085	SIZE	DOCUMENT TYPE: SALES	B	REL LEVEL: Released		<table border="1"> <tr> <td>DRAWING NO</td> <td>REV</td> </tr> <tr> <td>SC210991</td> <td>C</td> </tr> <tr> <td colspan="2">SHEET 13 OF 15</td> </tr> </table>	DRAWING NO	REV	SC210991	C	SHEET 13 OF 15			
PROJECT #: LM15085	SIZE																
DOCUMENT TYPE: SALES	B																
REL LEVEL: Released																	
DRAWING NO	REV																
SC210991	C																
SHEET 13 OF 15																	

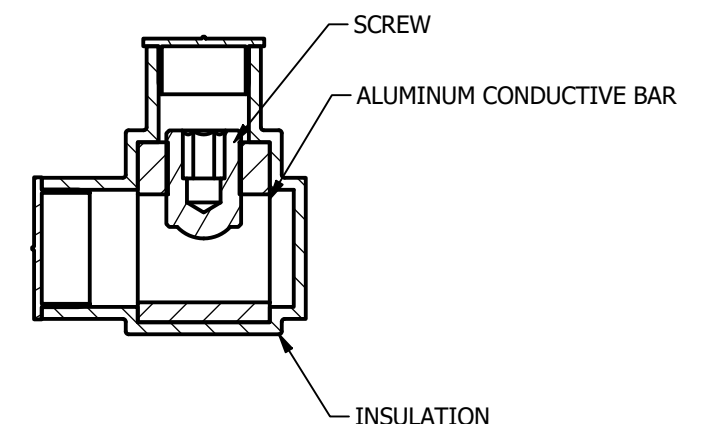
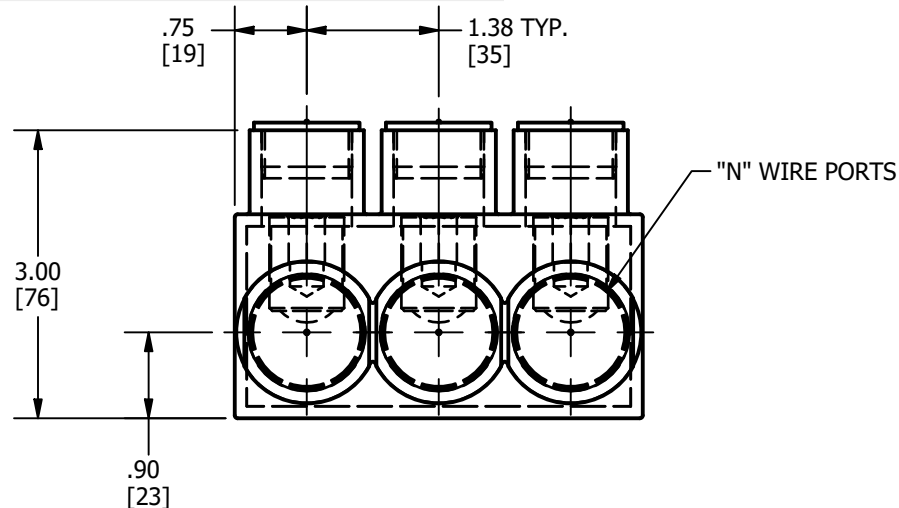
CATALOG NUMBER	ITEM NUMBER	WIRE RANGE	L	N	HEX KEY	STRIP LENGTH +/--1/32	TORQUE, IN-LBS
BIBS7503	25019656	#2-750 CLASS B, C	4.000	3	3/8	1 7/16	375
BIBS7504	25019657		5.375	4			
BIBS7506	25019658		8.125	6			
BIBS7508	25019659		10.875	8			
BIBS75010	25019660		13.625	10			
BIBS75012	25019661		16.375	12			
BIBS75014	25019662		19.125	14			

REV	DATE	DESCRIPTION	ECO	BY	C'H'K.
C	07/20/2020	REDRAW	53372	JL	TR

Wire Range	Torque, in-lbs	
#2 awg - 750 kcmil	#2-1/0	300
	2/0-4/0	350
	250-750	400

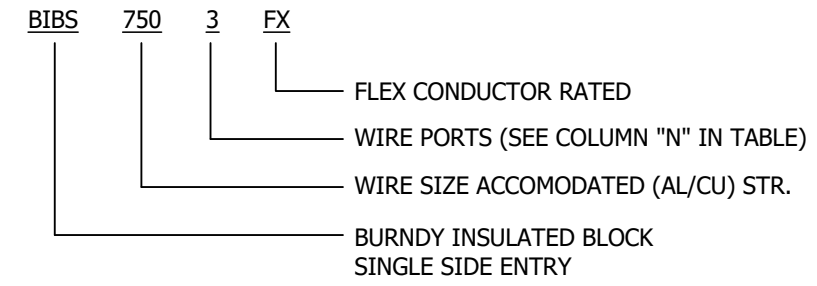


FEATURES	BENEFITS
PLASTISOL COVERED AL 6060-T6 BODY	SAVES TIME, LOWERS INSTALLATION COST, ELIMINATES TAPING
CLEAR PLASTISOL	ALLOWS VISUAL CONFIRMATION THAT CONDUCTOR IS PROPERLY INSERTED
OXIDE-INHIBITOR IS PREFILLED	INHIBITS MOISTURE AND CONTAMINANTS FROM ENTERING THE CONTACT AREA
RANGE-TAKING IN BOTH CODE AND FLEX	REDUCES THE NUMBER OF CONNECTORS CARRIED IN INVENTORY
WIRE AND SCREW PORT COVERS	PROTECTS AGAINST CONTAMINATION AND ACCIDENTAL CONTACT OF ENERGIZED PARTS.



NOTES:

- DIMENSIONS IN BRACKETS [] ARE IN MILLIMETERS ROUNDED OFF TO THE NEAREST MILLIMETER, UNLESS OTHERWISE SPECIFIED AND ARE FOR REFERENCE ONLY.
- THIS DRAWING TO BE INTERPRETED PER ASME Y14.5M-2009.
- MATERIAL: BODY - TIN PLATED ALUMINUM
SCREW - CLEAR COATED ALUMINUM
INSULATION - PLASTISOL
CAPS - POLYETHOLENE
- OPERATING TEMPERATURE - -40°C TO 135°C.
- VOLTAGE RATING - 600 V.
- AMPERAGE RATING - 475 A.

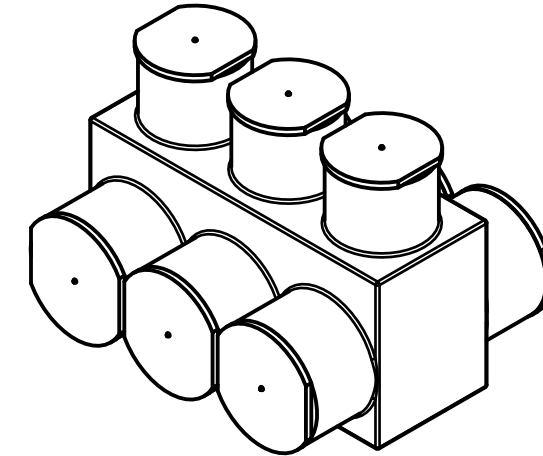
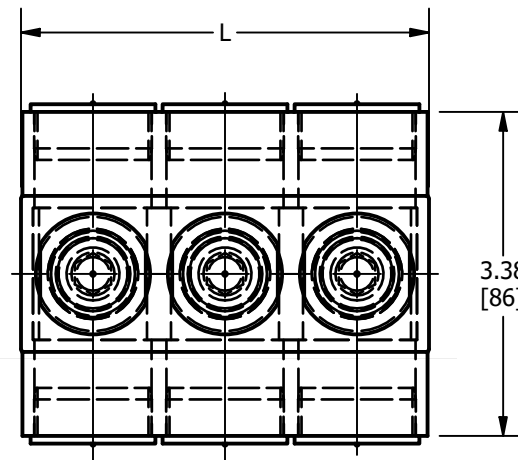


TO ORDER BURNDY® PRODUCTS CALL UNITED STATES 1-800-346-4175 (LONDONDERRY, NH) CANADA: 1-800-361-6975 (QUEBEC) 1-800-387-6487 (ALL OTHER PROVINCES) FOR PRODUCT INFO: http://www.burndy.com	FULLY INSULATED DISTRIBUTION BLOCKS-UNITAP™	
	ITEM NO: SEE TABLE CAT. NO: SEE TABLE	
DRAWN BY: T.REYNOLDS 8/14/2014	CHECKER: T.REYNOLDS 8/27/2014	
DSN APRVL: T.REYNOLDS 12/20/2015	MFG APRVL: --	
QA APRVL: C.KOWALCZYK 12/20/2015	MKT APRVL: M.BAILEY 12/20/2015	
PROD FAM: --	DRAWING NO	
PROJECT #: LM15085	SIZE	
DOCUMENT TYPE: SALES	B	SC210991
REL LEVEL: Released		SHEET 14 OF 15
		C

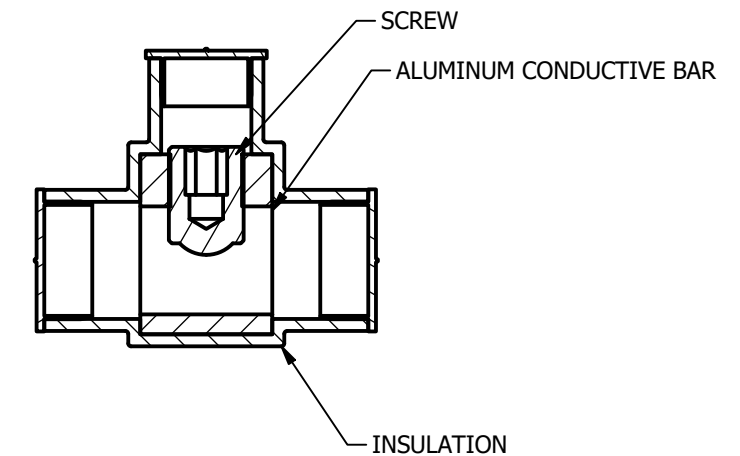
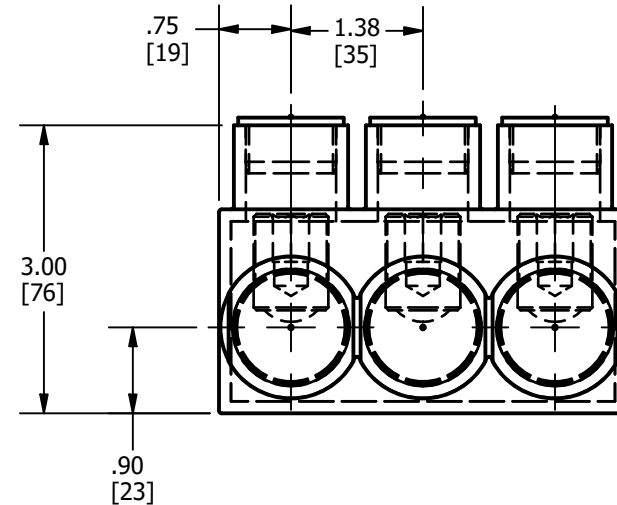
CATALOG NUMBER	ITEM NUMBER	WIRE RANGE	L	N	HEX KEY	STRIP LENGTH +/-1/32	TORQUE, IN-LBS
BIBD7502	25019636	#2-750 CLASS B, C	2.625	2	3/8	17/16	375
BIBD7503	25019637		4.000	3			
BIBD7504	25019638		5.375	4			
BIBD7506	25019639		8.125	6			
BIBD7508	25019640		10.875	8			
BIBD75010	25019641		13.625	10			
BIBD75012	25019642		16.375	12			
BIBD75014	25019643		19.125	14			

REV	DATE	DESCRIPTION	ECO	BY	C'H'K.
C	07/20/2020	REDRAW	53372	JL	TR

Wire Range	Torque, in-lbs	
#2 awg - 750 kcmil	#2-1/0	300
	2/0-4/0	350
	250-750	400

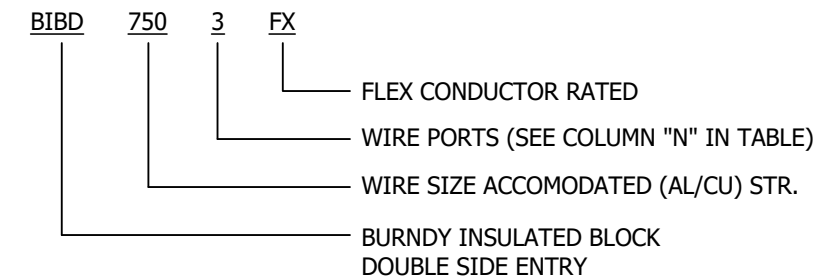


FEATURES	BENEFITS
PLASTISOL COVERED AL 6060-T6 BODY	SAVES TIME, LOWERS INSTALLATION COST, ELIMINATES TAPING
CLEAR PLASTISOL	ALLOWS VISUAL CONFIRMATION THAT CONDUCTOR IS PROPERLY INSERTED
OXIDE-INHIBITOR IS PREFILLED	INHIBITS MOISTURE AND CONTAMINANTS FROM ENTERING THE CONTACT AREA
RANGE-TAKING IN BOTH CODE AND FLEX	REDUCES THE NUMBER OF CONNECTORS CARRIED IN INVENTORY
WIRE AND SCREW PORT COVERS	PROTECTS AGAINST CONTAMINATION AND ACCIDENTAL CONTACT OF ENERGIZED PARTS.



NOTES:

- DIMENSIONS IN BRACKETS [] ARE IN MILLIMETERS ROUNDED OFF TO THE NEAREST MILLIMETER, UNLESS OTHERWISE SPECIFIED AND ARE FOR REFERENCE ONLY.
- THIS DRAWING TO BE INTERPRETED PER ASME Y14.5M-2009.
- MATERIAL: BODY - TIN PLATED ALUMINUM
SCREW - CLEAR COATED ALUMINUM
INSULATION - PLASTISOL
CAPS - POLYETHOLENE
- OPERATING TEMPERATURE - -40°C TO 135°C.
- VOLTAGE RATING - 600 V.
- AMPERAGE RATING - 475 A.



TO ORDER BURNDY® PRODUCTS CALL UNITED STATES 1-800-346-4175 (LONDONDERRY, NH) CANADA: 1-800-361-6975 (QUEBEC) 1-800-387-6487 (ALL OTHER PROVINCES) FOR PRODUCT INFO: http://www.burndy.com	FULLY INSULATED DISTRIBUTION BLOCKS-UNITAP™	
	ITEM NO: SEE TABLE CAT. NO: SEE TABLE DRAWN BY: T.REYNOLDS 8/14/2014 CHECKER: T.REYNOLDS 8/27/2014 DSN APRVL: T.REYNOLDS 12/20/2015 MFG APRVL: -- QA APRVL: C. KOWALCZYK 12/20/2015 MKT APRVL: M.BAILEY 12/20/2015	
PROJ #: LM15085 DOCUMENT TYPE: SALES REL LEVEL: Released	SIZE: B	DRAWING NO: SC210991 SHEET 15 OF 15
		REV: C