

KOHLER[®]

INSTALLATION INSTRUCTIONS

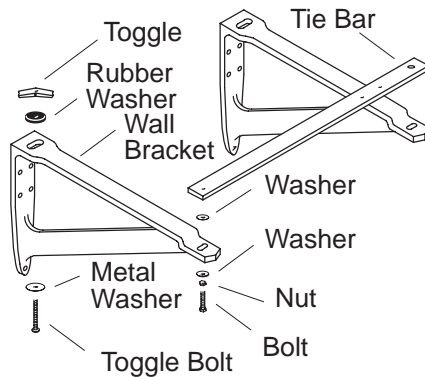
GILFORD™ VITREOUS CHINA SCRUB-UP SINK

BEFORE YOU BEGIN

- Observe all local plumbing and building codes.
- Inspect the waste and supply tubing; replace if necessary.
- Provide sufficient wall reinforcement to support at least 300 lbs. (136.1 kg).
- Prior to installation, unpack the new sink and inspect it for damage. Return the sink to its protective carton until you are ready to install it.

INSTALL THE NEW SINK

- Rough-in the supplies and drain according to the roughing-in information packed with the sink.
- Install the wall brackets to the reinforced wall according to the roughing-in information packed with the sink. Level the wall brackets.
- From the underside, install a toggle bolt, metal washer, rubber washer, and toggle to each of the rear bracket slots.
- Position a washer over each front bracket slot. Position the tie bar across the front of the wall bracket sections so it rests on both washers. Secure the tie bar in place from the underside with a bolt, nut, and washer through each front bracket slot.

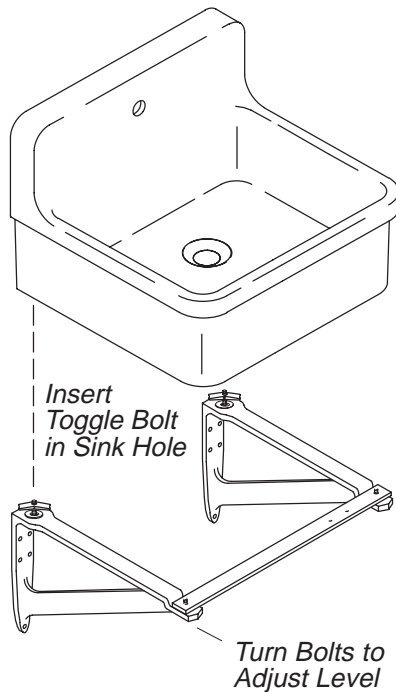




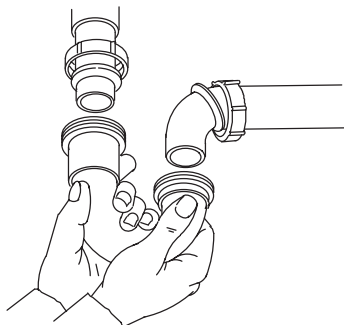
⚠ CAUTION: Risk of personal injury or product damage. Handle with care. Vitreous china can break or chip if the hardware is overtightened, or if the product is handled carelessly.

⚠ CAUTION: Risk of personal injury or property damage. Large vitreous china sinks are very heavy. Get help lifting the sink.

- Position the sink on the wall brackets, and insert the toggles into the rear sink holes. Do not tighten at this time.
- Check the level of the sink, and adjust by turning the bolts up or down, as necessary.
- Carefully tighten the toggle bolts until secure. Do not overtighten.



- Install the sink strainer, and connect to the drain assembly.
- Install the faucet. Be sure to follow all instructions packed with the faucet.
- Clean up with a **non-abrasive** cleaner.



CALL US FOR HELP

Here's what you need to do if you require service:

First review the installation instructions to ensure correct installation. For additional assistance in the USA, call our Customer Service Department for direct help. You may also contact us at our web site listed below.

Call 1-800-4-KOHLER within the U.S.

Call 001-877-680-1310 within Mexico

Call 1-800-964-5590 within Canada



www.kohler.com