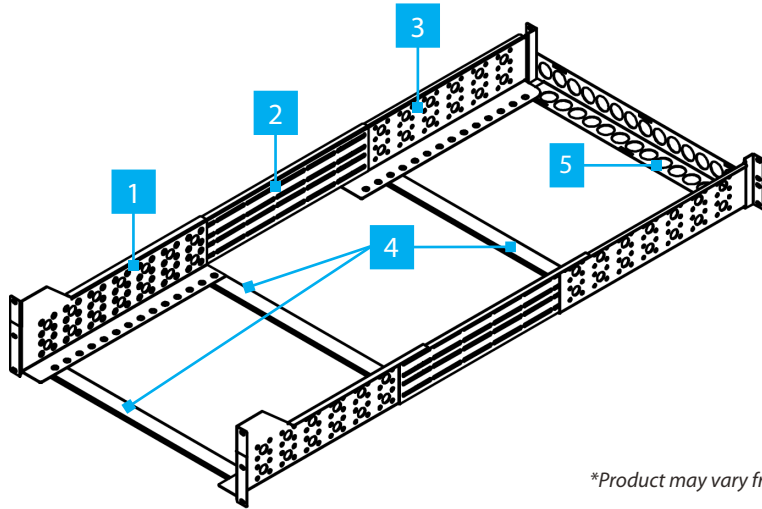


## 1U/2U/3U Fixed 19" Adjustable Depth Universal Server Rack Rails

### Product ID

UNIRAILS1U / UNIRAILS2U / UNIRAILS3U - Revision 02 or above



\*Product may vary from image

Component	Function
1 Front Rail - Rack Rail Assembly	<ul style="list-style-type: none"> <li>Attaches onto the <b>Front Mounting Posts</b> of a Rack</li> <li>Slide along the <b>Middle Sliding Rail</b> to adjust depth</li> </ul>
2 Middle Sliding Rail - Rack Rail Assembly	<ul style="list-style-type: none"> <li>Fully assembled with <b>Front and Rear Rails</b></li> <li>Loosen <b>Connecting Screws</b> to adjust the depth of the <b>Front and Rear Rails</b></li> </ul>
3 Rear Rail - Rack Rail Assembly	<ul style="list-style-type: none"> <li>Attaches onto the <b>Rear Mounting Posts</b> of a Rack</li> <li>Slide along the <b>Middle Sliding rail</b> to adjust depth</li> </ul>
4 Cross Braces	<ul style="list-style-type: none"> <li>Supports the weight of 19in <b>Non-Rackmount Equipment</b></li> <li>Attaches to the <b>Left and Right Rack Rail Assemblies</b></li> </ul>
5 Cable Management Plate	<ul style="list-style-type: none"> <li>End plate with <b>Cable Management Holes</b></li> <li>Prevents <b>Equipment</b> from sliding off the rear of the <b>Rack Rails</b></li> </ul>

### Information

For the latest manuals, product information, technical specifications, and declarations of conformance, please visit:

[www.StarTech.com/UNIRAILS1U](http://www.StarTech.com/UNIRAILS1U)

[www.StarTech.com/UNIRAILS2U](http://www.StarTech.com/UNIRAILS2U)

[www.StarTech.com/UNIRAILS3U](http://www.StarTech.com/UNIRAILS3U)

### How to Identify the LOT Code Revision Number

The Revision Number (Rev #) appears as the fifth and sixth digits of the LOT code, located on the sticker affixed to the product and its packaging. If the LOT code sticker is missing, the product is Rev 01. Refer to the specific Product ID page on [www.StarTech.com](http://www.StarTech.com) to download the manual for Revision 01.

### Requirements

- Phillips Head Screwdriver
- (Optional) Cage Nut Tool

### Package Contents

UNIRAILS1U	UNIRAILS2U	UNIRAILS3U
1 - Set Universal Rack Rails	1 - Set Universal Rack Rails	1 - Set Universal Rack Rails
6 - Cross Brace Screws	6 - Cross Brace Screws	6 - Cross Brace Screws
8 - M5 Panel Screws	16 - M5 Panel Screws	14 - M5 Panel Screws
8 - M5 Cage Nuts	16 - M5 Cage Nuts	14 - M5 Cage Nuts
1 - M5 Wrench	1 - M5 Wrench	1 - M5 Wrench
1 - Quick-Start Guide	1 - Quick-Start Guide	1 - Quick-Start Guide

### Warnings!

*Read the entire Quick-Start Guide and ensure the instructions are fully understood before assembling and using this product. Before adding equipment to this product, ensure this product has been properly mounted. Never operate this product if parts are missing or damaged. Ensure the weight of the equipment does not exceed the weight capacity of this product. If the weight capacity is exceeded, personal injury or damage to the equipment is possible. These products can support the following weights:*

**UNIRAILS1U:** up to 55.1 lb (25 kg)

**UNIRAILS2U:** up to 99.8 lb (45.2 kg)

**UNIRAILS3U:** up to 214.5 lb (97.3 kg)

*All four mounting points must be properly secured to each of the posts on a four-post rack. Never exceed the maximum mounting depth specification for this shelf: 41.5in (1055mm)*

# Installation

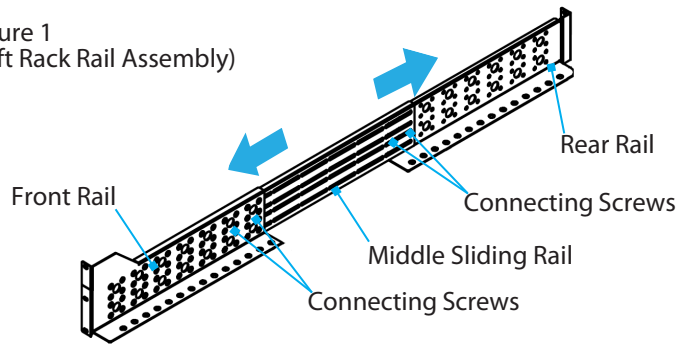
## Preparation

1. Determine a suitable location on the **Server Rack** to mount the **Universal Server Rack Rails**. The **Universal Server Rack Rails** requires **1U to 3U** of **Mounting Space**.
2. Install the **M5 Cage Nuts** into the **Mounting Holes** on the **Front and Rear Mounting Posts** of the **Server Rack**. If available, use a **Cage Nut Tool** to install the **Cage Nuts**.

## Adjust Rail Mounting Depth

1. Remove all of the **Connecting Screws** located on the **Front and Rear Rails** of the **Left Rack Rail Assembly** using a **Phillips Head Screwdriver**. Ensure that all of the **Connecting Screws** and **nuts** are removed.
2. Slide the **Front and Rear Rails**, along the **Middle Sliding Rails** to the required **Mounting Depth** of the **Server Rack**. Insert and gently tighten all **Connecting Screws** and **nuts** using a **Phillips Head Screwdriver**. (Figure 1)

Figure 1  
(Left Rack Rail Assembly)

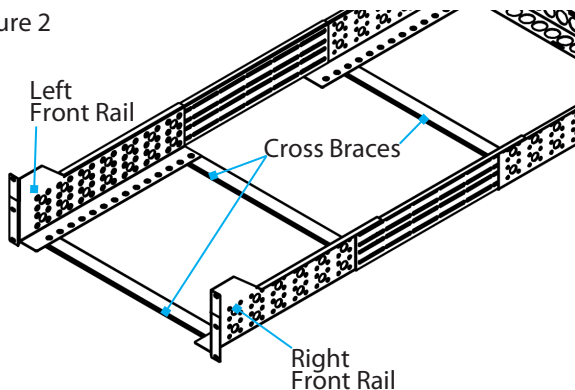


3. Repeat Steps 1 and 2 on the **Right Rack Rail Assembly**. Ensure that the length of the **Left and Right Rack Rail Assemblies** are identical.

## Install Cross Braces

1. Arrange the **Left and Right Rack Rail Assemblies** in parallel position on a flat working surface.
2. Position **Cross Braces** between the **Left and Right Rail Assemblies** as shown. Ensure that the **Cross Braces** are spaced evenly across the length of the **Left and Right Rack Rail Assemblies**. (Figure 2)

Figure 2



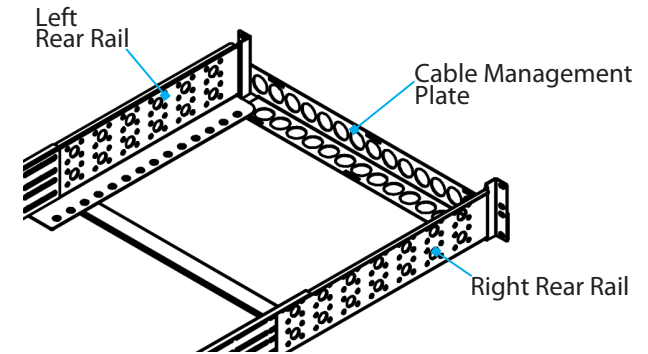
3. Fasten the ends of the **Cross Braces** to the **Left and Right Rack Rail Assemblies** with the **Cross Brace Screws**. Tighten using a **Phillips Head Screwdriver**.

## Mount the Assembly to the Server Rack

**Note:** Two people are required to mount the Universal Server Rack Rails to a Server Rack.

1. Mount the **Universal Server Rack Rails** by inserting the **M5 Screws** through the **Front Rail Mounting Holes, Server Rack Front Mounting Posts**, and into the **M5 Cage Nuts**. Tighten the **M5 Screws** using a **Phillips Head Screwdriver**.
2. Align the **Rear Rail Mounting Holes** to the **Server Rack Rear Mounting Posts**. Position the **Cable Management Plate** at the back of the assembly as shown, overlapping with the **Rear Rail Mounting Holes**. (Figure 3)

Figure 3



3. Insert the **M5 Screws** through the **Cable Management Plate, Rear Rail Mounting Holes, Server Rack Rear Mounting Posts**, and into the **M5 Cage Nuts**. Tighten the **M5 Screws** to secure the assembly onto the **Server Rack**.
4. Ensure that all **M5 Mounting Screws, Cross Brace Screws**, and **Left and Right Rack Rail Connecting Screws** are firmly tightened once the unit is mounted onto the **Server Rack**.



## Regulatory Compliance

### Use of Trademarks, Registered Trademarks, and other Protected Names and Symbols

This manual may make reference to trademarks, registered trademarks, and other protected names and/or symbols of third-party companies not related in any way to StarTech.com. Where they occur these references are for illustrative purposes only and do not represent an endorsement of a product or service by StarTech.com, or an endorsement of the product(s) to which this manual applies by the third-party company in question. StarTech.com hereby acknowledges that all trademarks, registered trademarks, service marks, and other protected names and/or symbols contained in this manual and related documents are the property of their respective holders.

PHILLIPS® is a registered trademark of Phillips Screw Company in the United States or other countries.

## Warranty Information

This product is backed by a lifetime warranty.

For further information on product warranty terms and conditions, please refer to [www.startech.com/warranty](http://www.startech.com/warranty).

## Limitation of Liability

In no event shall the liability of StarTech.com Ltd. and StarTech.com USA LLP (or their officers, directors, employees or agents) for any damages (whether direct or indirect, special, punitive, incidental, consequential, or otherwise), loss of profits, loss of business, or any pecuniary loss, arising out of or related to the use of the product exceed the actual price paid for the product. Some states do not allow the exclusion or limitation of incidental or consequential damages. If such laws apply, the limitations or exclusions contained in this statement may not apply to you.

## Safety Measures

Assemble this product according to the instructions. Read the entire manual and ensure the instructions are fully understood before assembling and/or using this product.

## Mesures de Sécurité

Assemblez ce produit conformément aux instructions. Lisez l'intégralité du manuel et assurez-vous que les instructions sont bien comprises avant d'assembler et/ou d'utiliser ce produit.

## Veiligheidsmaatregelen

Monteer dit product volgens de instructies. Lees de gehele handleiding en zorg ervoor dat u de instructies volledig begrijpt voordat u dit product monteert en/of gebruikt.

## Säkerhetsåtgärder

Montera produkten enligt instruktionerna. Läs hela manualen och se till att du har förstått instruktionerna innan du monterar och/eller använder produkten.

## Sicherheitsmaßnahmen

Bauen Sie dieses Produkt gemäß der Anleitung zusammen. Lesen Sie das gesamte Handbuch und stellen Sie sicher, dass Sie die Anweisungen vollständig verstanden haben, bevor Sie dieses Produkt zusammenbauen und/oder verwenden.

## 安全対策

最初に取扱説明書を最後まで読み、本製品の組み立て方をすべて理解してから組み立て作業を始めて下さい。

## Misure di Sicurezza

Leggere l'intero manuale e assicurarsi di aver compreso tutte le istruzioni prima di iniziare ad assemblare e a utilizzare questo prodotto.

## Medidas de Seguridad

Monte este producto siguiendo las instrucciones. Lea todo el manual y asegúrese de que las instrucciones se entienden antes de proceder con el ensamblaje y el uso de este producto.



**StarTech.com Ltd.**  
45 Artisans Crescent  
London, Ontario  
N5V 5E9  
Canada

**StarTech.com LLP**  
4490 South Hamilton  
Road  
Groveport, Ohio  
43125  
U.S.A.

**StarTech.com Ltd.**  
Unit B, Pinnacle 15  
Gowerton Road  
Brackmills,  
Northampton  
NN4 7BW  
United Kingdom

**StarTech.com Ltd.**  
Siriusdreef 17-27  
2132 WT Hoofddorp  
The Netherlands

FR: [startech.com/fr](http://startech.com/fr)  
DE: [startech.com/de](http://startech.com/de)  
ES: [startech.com/es](http://startech.com/es)  
NL: [startech.com/nl](http://startech.com/nl)  
IT: [startech.com/it](http://startech.com/it)  
JP: [startech.com/jp](http://startech.com/jp)