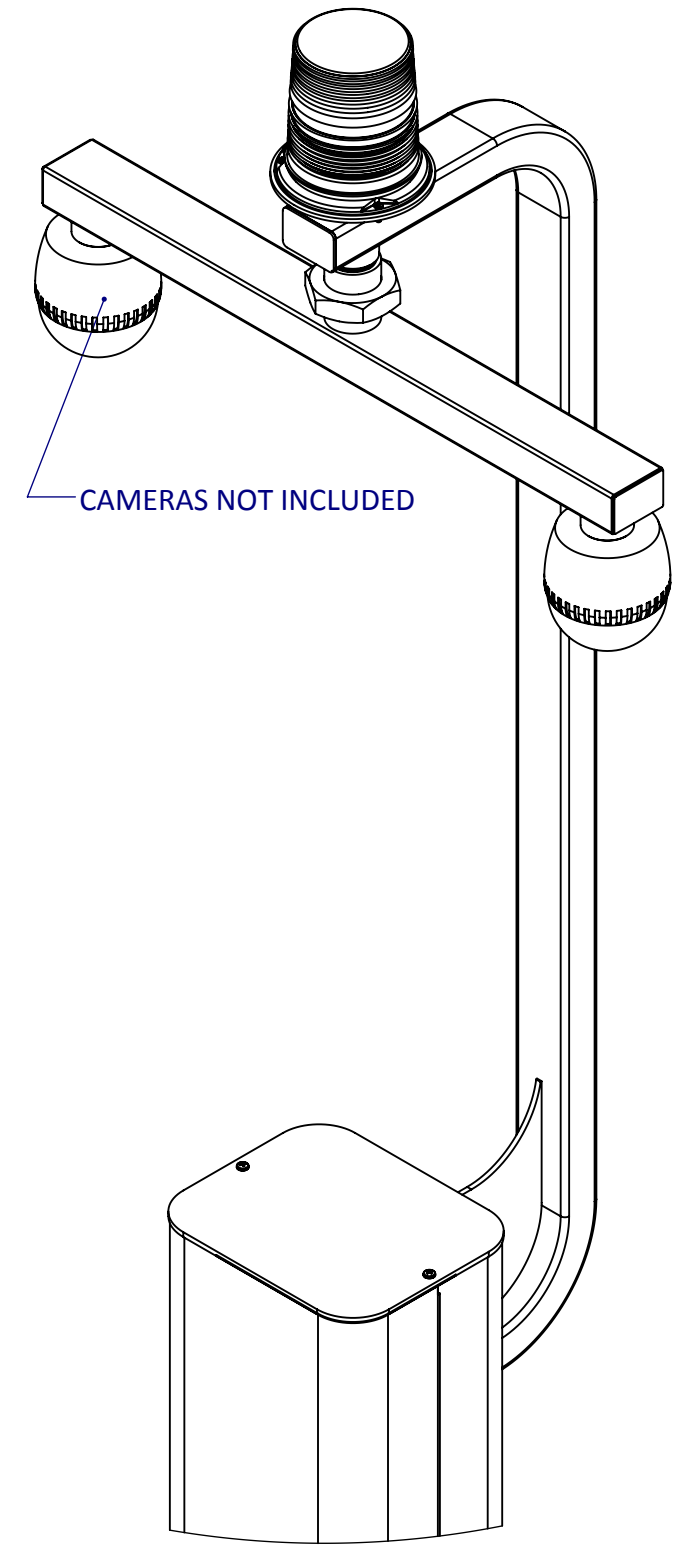
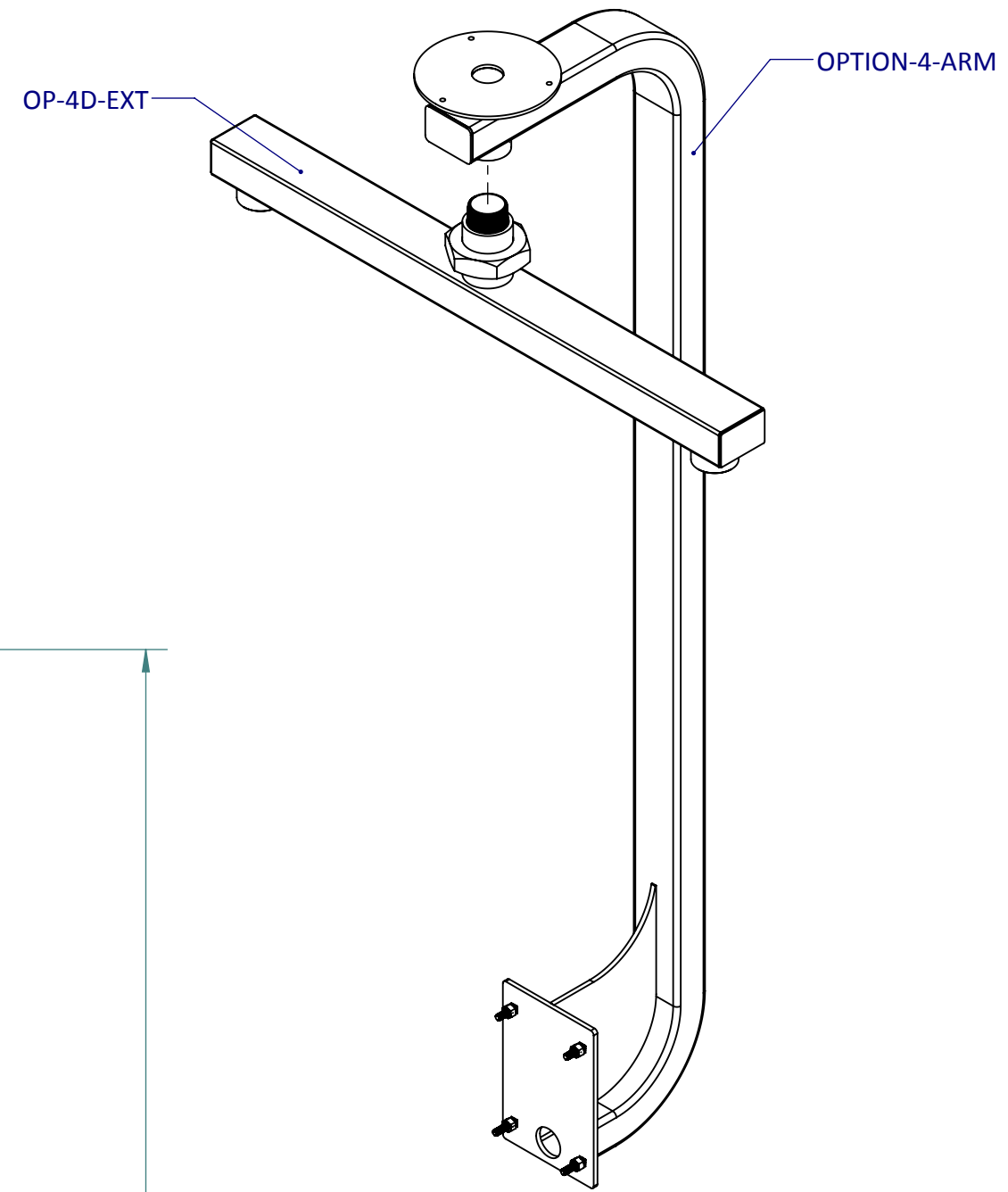
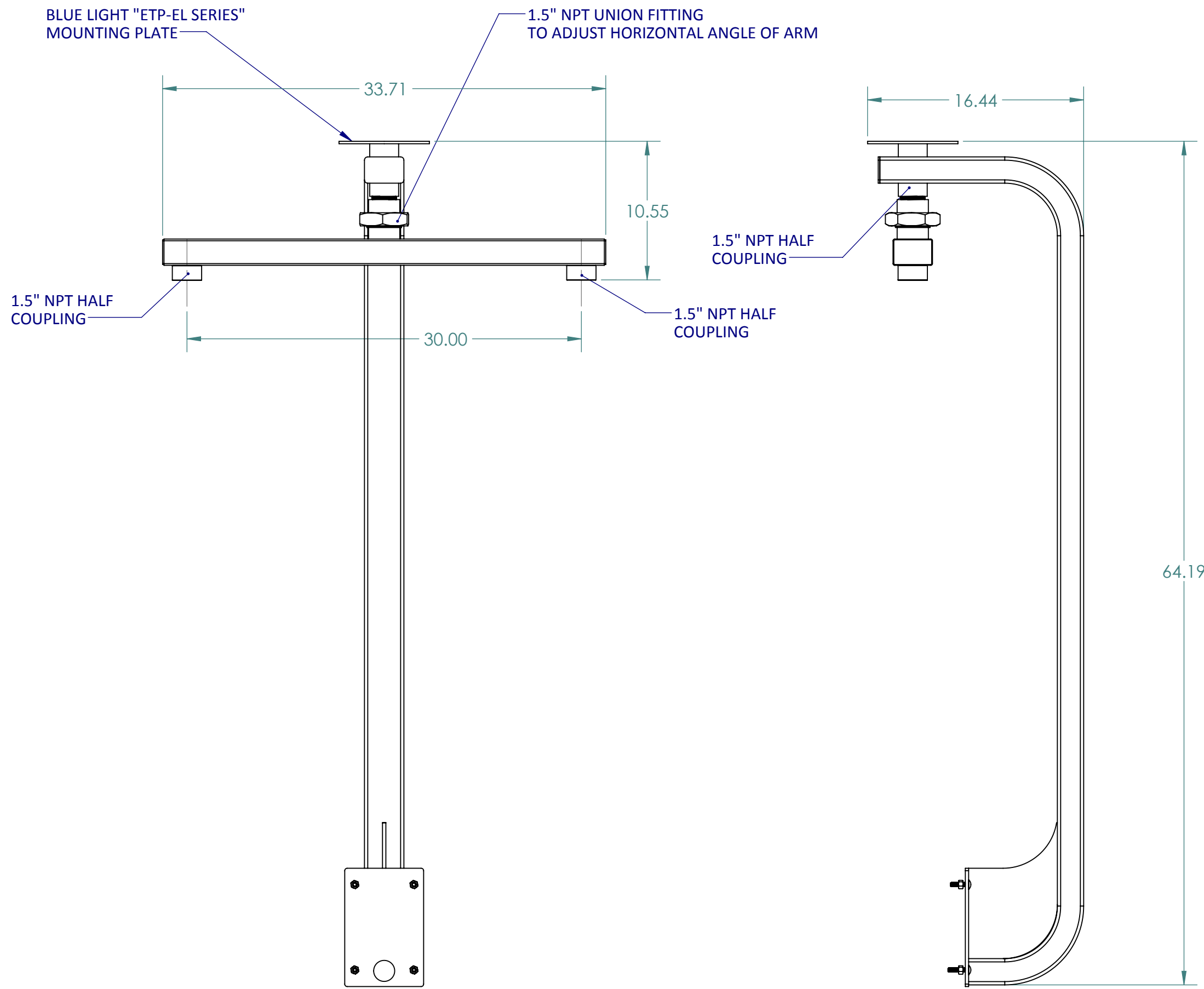


GENERAL NOTES:

FOR A DUAL CAMERA ARM ASSEMBLY THE FOLLWOING ARE REQUIRED:

- OPTION-4-ARM
- OP-4D-EXT



OP4D CAMERA ASSEMBLY SHOWN INSTALLED TO A TOWER

1.0	PRODUCTION RELEASE	03/19/2014	K PATEL
REV.	DESCRIPTION	DATE	APPROVED
REVISIONS			
	NAME	DATE	
DRAWN	K PATEL	03/19/2014	
CHECKED			
ENG APPR.			
MFG APPR.			
Q.A.			
COMMENTS:			
 TALKAPHONE TALK-A-PHONE CO. 7530 N. NATCHEZ AVE. NILES, IL 60714 WWW.TALKAPHONE.COM		DWG. NO.	
SIZE	PART NO.	REV	
C	"OPTION-4-ARM" AND "OP-4D-EXT"	1.0	
DWG. TITLE:		DUAL CAMERA ARM ASSEMBLY	
SCALE: 1:8	WEIGHT:	SHEET 1 OF 1	

FINISH
 PROPRIETARY AND CONFIDENTIAL
 THE INFORMATION CONTAINED IN THIS DRAWING IS THE SOLE PROPERTY OF TALK-A-PHONE COMPANY. ANY REPRODUCTION IN PART OR AS A WHOLE WITHOUT THE WRITTEN PERMISSION OF TALK-A-PHONE COMPANY IS PROHIBITED.