

Catalog Number	
Notes	Type

Bantam 2000 LED

Enclosed LED Low Bays



Bantam 2000 Enduralume®



Bantam 2000 Primalume®



Bantam 2000 Primatite®



Bantam 2000 Prismack®



Description

More than a wise choice for saving energy, Bantam 2000 Series LED luminaires and available retrofit kit are also a wise choice for covering a broad range of low-bay applications with superior lighting.

Optics

- Prismatic borosilicate glass maintains highest levels of luminosity over time.
- Seven distributions utilizing enclosed optics available to maximize versatility in applications needing uplight or downlight.

Electrical

- 10kV / 10kA surge protection is standard.
- CRI , 70 and 80 is standard. See Color Temperature options.
- 3000K, 4000K or 5000K CCT available.

Mechanical

- Low-profile design provides clearance in applications with low ceiling heights.
- Aluminum housing withstands harsh environments.

- Retrofit kit available to upgrade existing Bantam 2000 HID units utilizing an enclosed optic.

Listings

- UL 1598 Listed for use in damp or wet locations up to 77°F (25°C) ambient temperature (see footnotes).
- IP65 rated (see footnotes).
- DesignLights Consortium® (DLC) Premium qualified product and DLC qualified product. Not all versions of this product may be DLC Premium qualified or DLC qualified. Please check the DLC Qualified Products List at www.designlights.org/QPL to confirm which versions are qualified.

Warranty

5-year limited warranty. Complete warranty terms located at: www.acuitybrands.com/support/customer-support/terms-and-conditions
Actual performance may differ as a result of end-user environment and application.
All values are design or typical values, measured under laboratory conditions at 25 °C.

Typical Applications

- Parking garages
- Manufacturing
- Transportation
- Retail
- Mezzanines/canopies
- Stairwells

Dimensions: Inches (millimeters) unless otherwise noted.

Diameter: see Dimensional Data pages 2 & 3
Height: see Dimensional Data pages 2 & 3
Weight: see Dimensional Data pages 2 & 3

RETROFIT KIT ORDERING INFORMATION

Example: BARFK 5L 4K AS

Series	Lumens ¹	Color Temperature	Voltage
BARFK	5L 5000 nominal lumens	3K 3000K CCT (80 CRI)	AS Auto sensing (120V-277V)
	8L 8000 nominal lumens	4K 4000K CCT (70 CRI)	
		5K 5000K CCT (70 CRI)	

FULL FIXTURE ORDERING INFORMATION

Example: BALED 5L 4K 24 P A F2

Series	Lumens ¹	Color Temperature	Voltage	Mounting	Optics
BALED	5L 5000 nominal lumens	3K 3000K CCT	AS Auto Sensing (120V-277V)	A Stanchion	A Enduralume (2418)
		4K 4000K CCT	12 120V	C Ceiling ²	B Primatite (4451-long & narrow)
	8L 8000 nominal lumens	5K 5000K CCT	20 208V	P Pendant	G Primatite (4455-symmetric)
			24 240V	W Wall	K Primalume (6585-wide)
			27 277V		L Primalume (6586-medium)
				U Prismack (6585-wide)	
					Z Prismack (6586-medium)

Options					
CDP-L5-15-X	120V cord & plug ^{2,3}	PF-105	Loop, 3/4" male ²	CDPW-L6-15-X	208V/240V cord & Daniel Woodhead watertite plug (includes PF-291) ⁸
CDP-L6-15-X	208V/240V cord & plug ^{2,3}	PF-121	Safety hook, 3/4" male ²	CDPW-L7-15-X	277V cord & Daniel Woodhead watertite plug (includes PF-291) ⁸
CDP-L7-15-X	277V cord & plug ^{2,3}	PF-129	Anti-rotational hook, 3/4" male ²	CDW-X	X ft cord (includes PF-291)
CD-X	X ft cord ^{2,4}	PHCB	Powerhook cord for 120V-277V ^{2,7}	ELB	Extra low brightness ⁵
F1	Single fusing ⁵	CDPW-L5-15-X	120V cord & Daniel Woodhead watertite plug (includes PF-291) ⁸	AO	Field adjustable lumen output module. 8 settings ¹⁰
F2	Double fusing ⁶				

For accessories and footnotes, see page 2.

Bantam 2000 LED

Enclosed LED Low Bays



ORDERING INFORMATION (cont'd.)

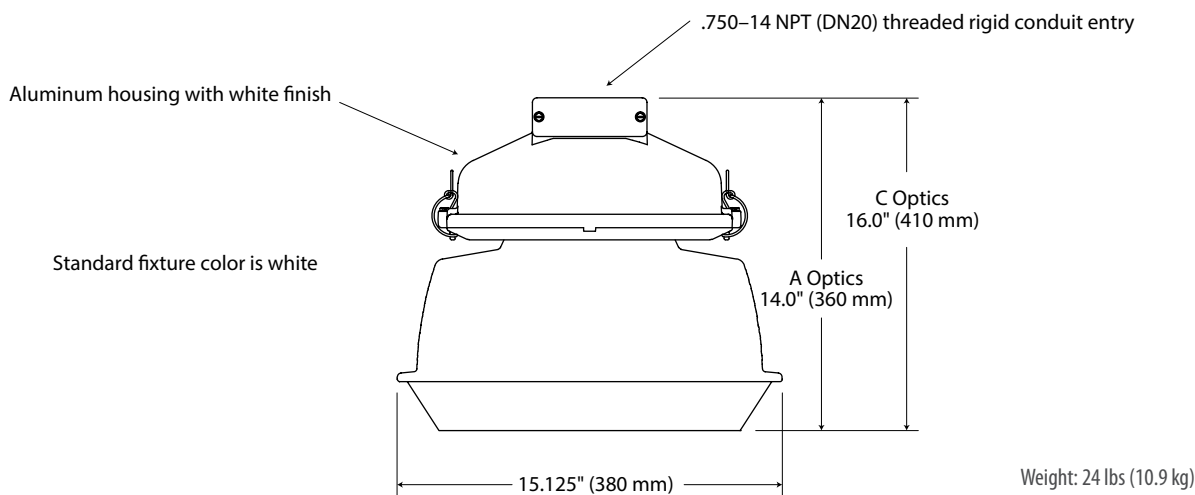
Accessories: Order as separate catalog number.					
09190	Wireguard for Prismatic optics	LOOP456	Loop, 3/4" male ²	CDCW-L5-15-3	120V cord & Daniel Woodhead watertite connector (wet location) ¹²
WG-223-A	Wireguard for Enduralume optic	HOOK455	Safety hook, 3/4" male ²	CDCW-L6-15-3	208V/240v cord & Daniel Woodhead watertite connector (wet location) ¹³
UPH-35-***-WH	Thru-way powerhook for 120V-277V ¹¹	PF-129-A	Anti-rotational hook, 3/4" male ²	CDCW-L7-15-3	277V cord & Daniel Woodhead watertite plug connector (wet location) ¹⁴
UPH-36-***-WH	Pendant powerhook for 120V-277V ¹¹	09189-X	Safety chain Kit ⁸		
PF-116-A	Loop, female ²	Q256	Wireguard for Primalume optic		
PF-122-A	Hook, safety, female ²	BALEDF1FUS5C	Single fuse		
		BALEDF2FUS5C	Double fuse		

Notes

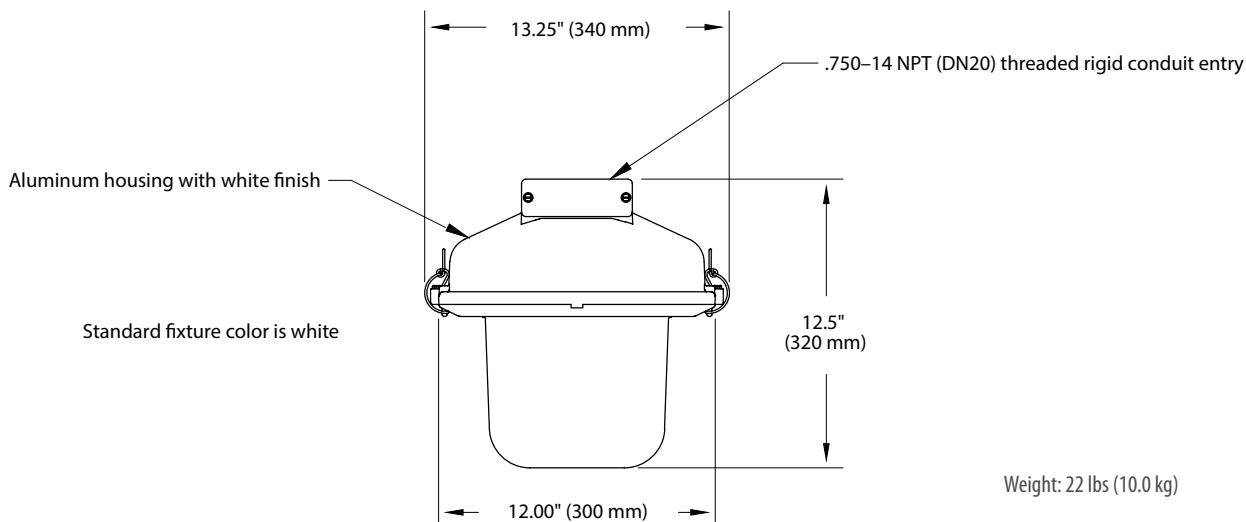
- 1 Nominal lumens, see IES file for delivered lumens.
- 2 Damp location, non-IP.
- 3 Order PF also; Damp location, non-IP. Order PF also. X signifies feet of cord (3ft - 6ft is standard).
- 4 Order PF also; X signifies feet of cord (3ft - 6ft is standard). No plug.
- 5 For voltages 12, 24, 27 only.
- 6 For voltages 20, 24 only.
- 7 Includes PF-105-B, order UPH also.
- 8 X signifies feet of cord (3ft - 6ft is standard).
- 9 Available with Prismpack optics only.
- 10 Only available on retrofit kit, BARFK.
- 11 *** = Voltage, only mates up with PHCB.
- 12 For use with CDPw-L5-15-X.
- 13 For use with CDPW-L6-15-X.
- 14 For use with CDPW-L7-15-X.

DIMENSIONAL DATA

Bantam 2000 Enduralume®



Bantam 2000 Prismatic®

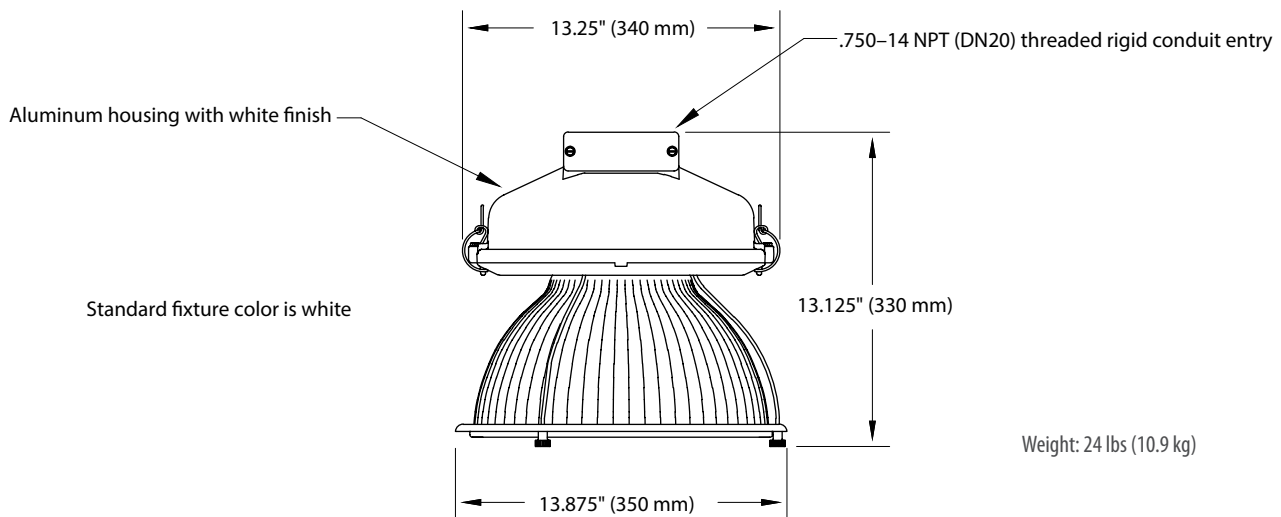


Bantam 2000 LED

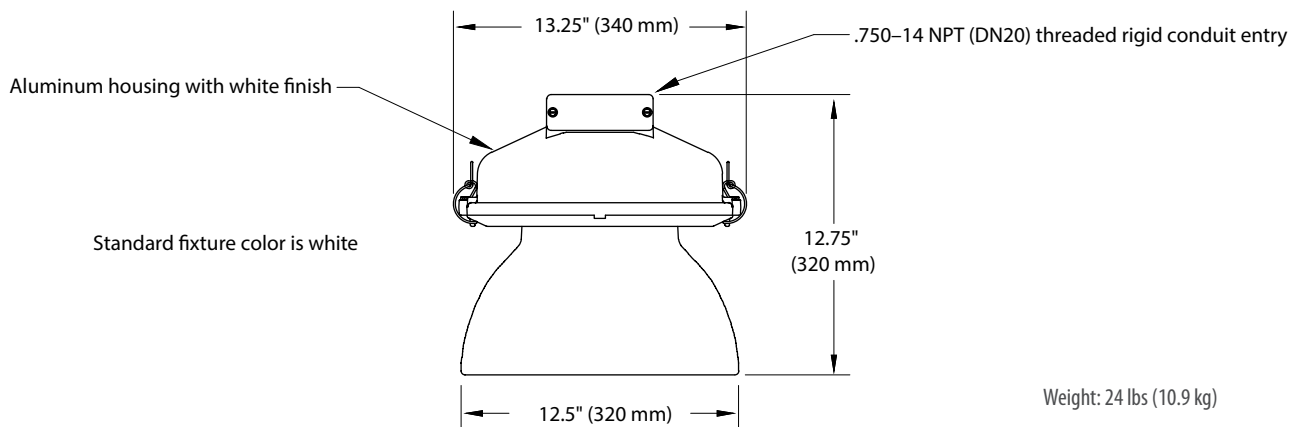
Enclosed LED Low Bays

DIMENSIONAL DATA (cont'd.)

Bantam 2000 Prismalume®

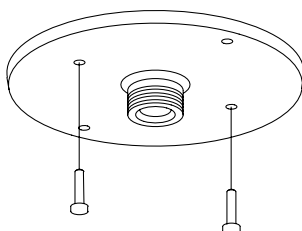


Bantam 2000 Prismpack®

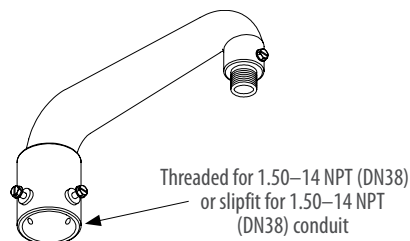


Bantam 2000 common mounting options

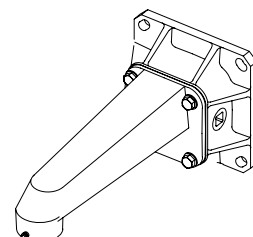
Ceiling Mount Components



Stanchion Assembly



Wall Bracket Assembly



Bantam 2000 LED

Enclosed LED Low Bays



OPERATIONAL DATA

Operating Characteristics

Package	Optic	Delivered Lumens 5000K CCT (70 CRI) @25°C1	Delivered Lumens 4000K CCT (70 CRI) @25°C1	Delivered Lumens 3000K CCT (80 CRI) @25°C1	Wattage @ 120V	LPW @ 5000K
BALED / BARFK 5L	A - Enduralume Glass Bottom	4692	4692	4462	39	120
BALED / BARFK 8L		7005	7005	6662	61	115
BALED / BARFK 5L	B - Prismatic Long & Narrow	5559	5559	5287	39	143
BALED / BARFK 8L		8300	8300	7894	61	136
BALED / BARFK 5L	G - Prismatic Symmetric	5421	5421	5155	39	139
BALED / BARFK 8L		8093	8093	7697	61	133
BALED / BARFK 5L	K - Primalume Wide	5593	5593	5319	39	143
BALED / BARFK 8L		8350	8350	7941	61	137
BALED / BARFK 5L	L - Primalume Medium	5445	5445	5179	39	140
BALED / BARFK 8L		8130	8130	7732	61	133
BALED / BARFK 5L	U - Prismack Wide	4557	4557	4334	39	117
BALED / BARFK 8L		6804	6804	6471	61	112
BALED / BARFK 5L	Z - Prismack Medium	4366	4366	4153	39	112
BALED / BARFK 8L		6519	6519	6200	61	107

Projected Lumen Maintenance (TM-21)²

Package	0 Hours	15,000 Hours	30,000 Hours	45,000 Hours	60,000 Hours	100,000 Hours
BALED / BARFK 5L and 8L @ 25C	1.0	0.94	0.94	0.93	0.93	0.92

Notes

- 1 Absolute photometry calculated in accordance with IESNA LM-79-08
- 2 Calculated using data collected according to LM-80 and represents lumen maintenance of the LED package.