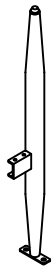


# ASSEMBLY INSTRUCTIONS

## DINING CHAIR

**A** Front Leg      **B** Back Leg - Right      **C** Back Leg - Left      **D** Arm & Back Rest



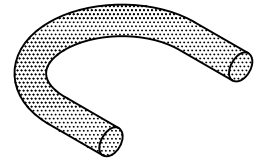
2pcs



1pc

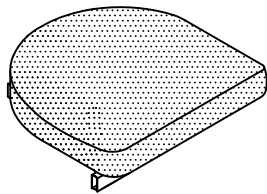


1pc



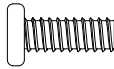
1pc

**E** Seat Cushion



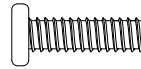
1pc

**F** Bolt  
1/4" x 1/2"



8pcs

**G** Bolt  
1/4" x 3/4"



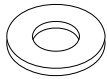
8pcs

**H** Lock Washer  
ϕ1/4" x 7/16"



16pcs

**I** Flat Washer  
ϕ1/4" x 5/8"

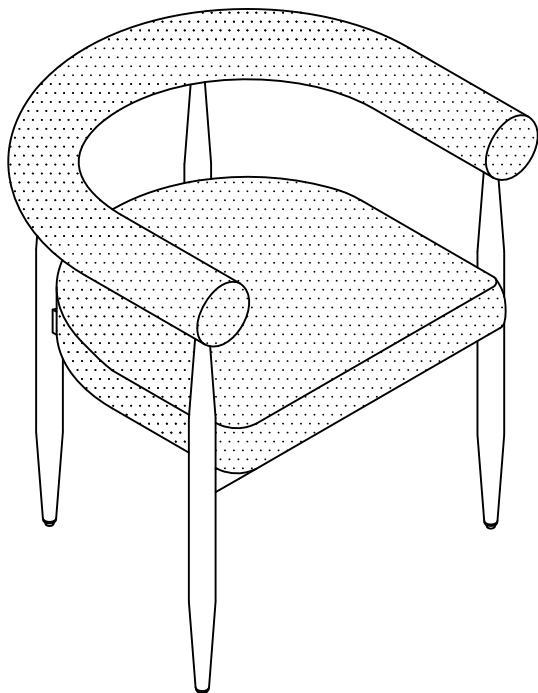


16pcs

**J** Allen Key  
4 x 4mm



1pc



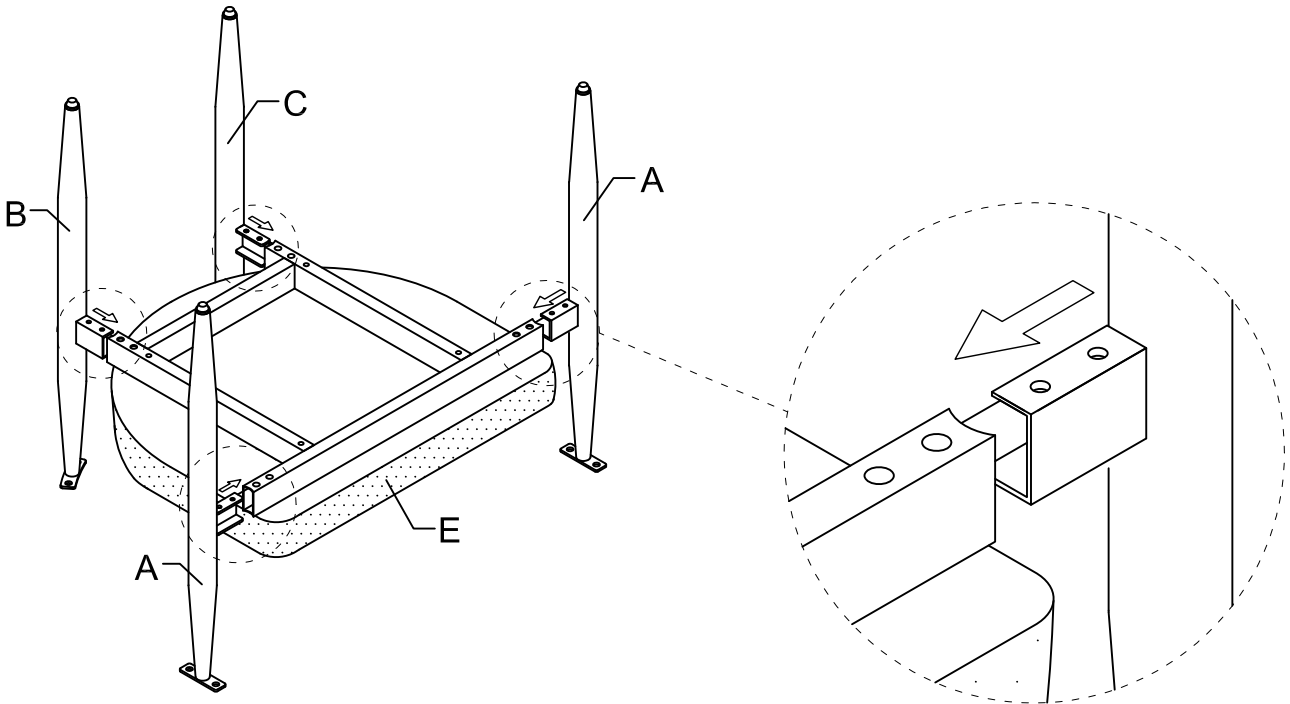
This page lists all the contents included in the box. Please take the time to identify the hardware as well as the individual components to this product. As you unpack and prepare for assembly, place the contents on a carpeted or padded area to protect them from damage.

**Note:**

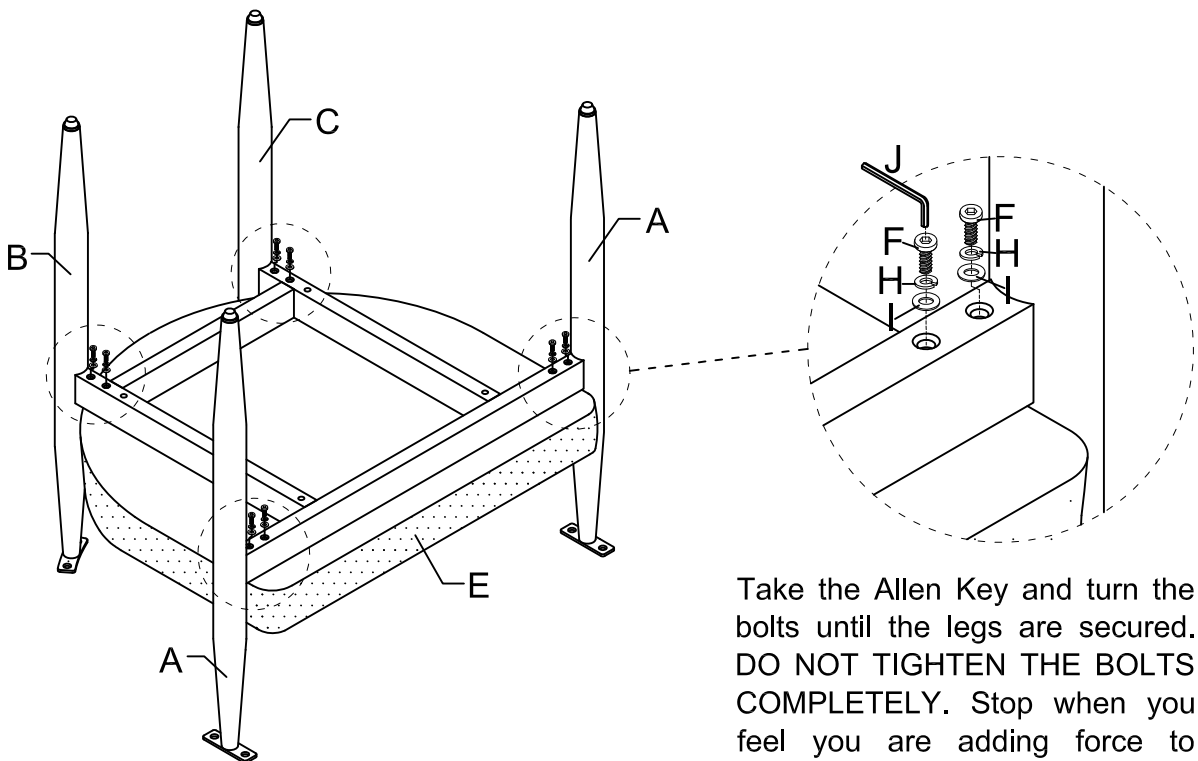
Do not fully tighten all bolts until the assembly is completed. This will help all parts to be assembled properly.

**1**

Attach the Front and Back Leg (A, B, C) to the Seat Cushion (E).

**2**

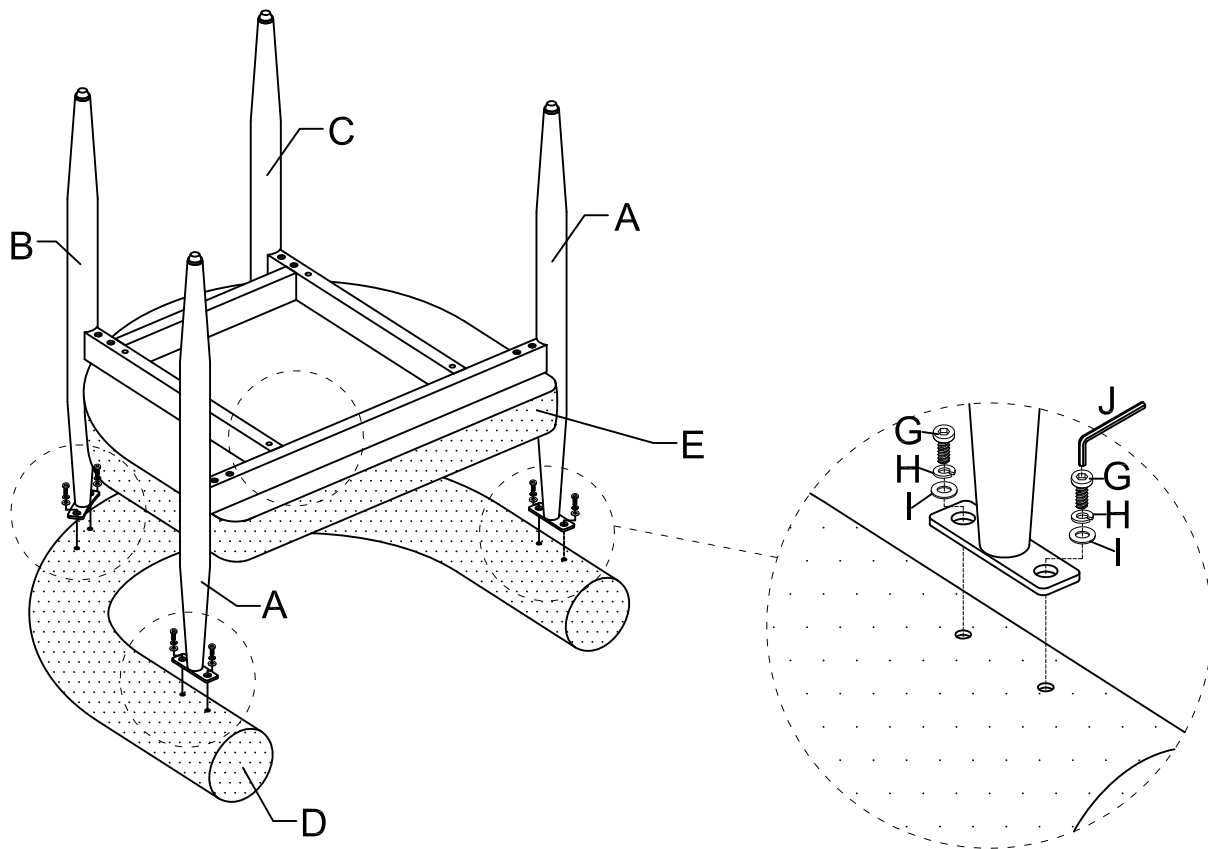
Attach the Front and Back Leg (A, B, C) to the Seat Cushion (E) using Bolt (F), Lock Washer (H) and Flat Washer (I) with the Allen Key (J).



Take the Allen Key and turn the bolts until the legs are secured. **DO NOT TIGHTEN THE BOLTS COMPLETELY.** Stop when you feel you are adding force to tighten the bolts.

3

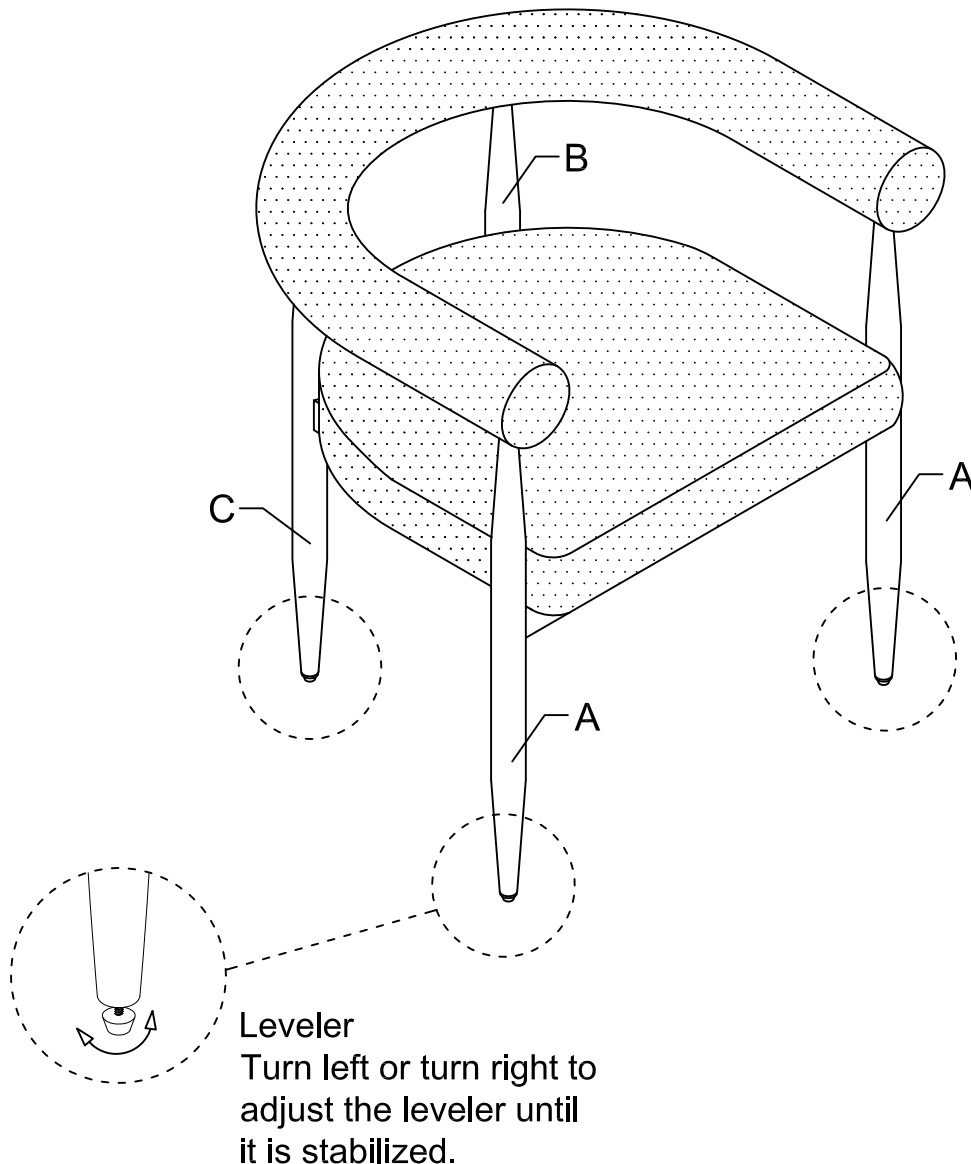
Attach the assembled chair base to the Arm & Back Rest (D) using Bolt (G), Lock Washer (H) and Flat Washer (I) with the Allen Key (J).



---

**4**

Stand the chair upright. Adjust the levelers on the bottom of the Front and Back Leg (A, B, C) until the chair is level with the ground.



Stand the chair on an even surface and check for balance. If the chair wobbles slightly, apply downward pressure on the uneven leg and tighten the bolts to correct the imbalance. Once the chair is balanced, apply downward pressure evenly in the center of the chair and tighten all bolts, being careful not to over-tighten beyond the hole depth.

Helpful Tip: Have someone sit in the chair while tightening the bolts from underneath.

---

### Cleaning & Care

Treat surfaces with care. Surfaces are resistant to scratches but are not scratch resistant. Clean surfaces with a dry or damp soft cloth. Do not use abrasive cleaners. Hardware may loosen over time. Periodically check that all connections are tight.