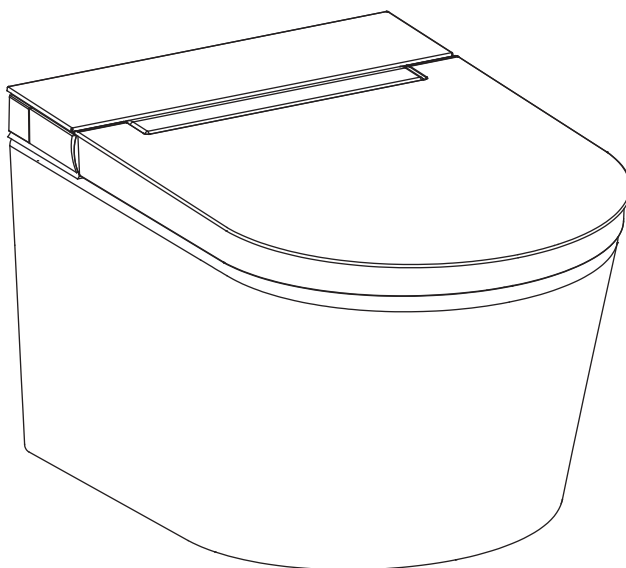




ITEM: TL-WH03-WH
ANZZI TOILET
INSTALLATION &
OPERATION MANUAL

V1.0
11/20/2025



DON'T WAIT! REGISTER NOW!

Register your product within 90 days to ensure your product is recognized as an official purchase and is eligible for warranty coverage.

Register online at <https://anzzi.com/pages/register> or scan the QR code at PG. 2.



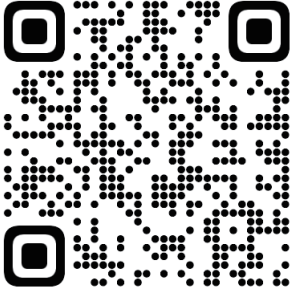
PRODUCT REGISTRATION*

IMPORTANT: Warranty will not be recognized unless product is registered.

Register online at <https://anzzi.com/pages/register> or Scan the QR code below.
Registering online is fast, secure, and ensures we receive your information.

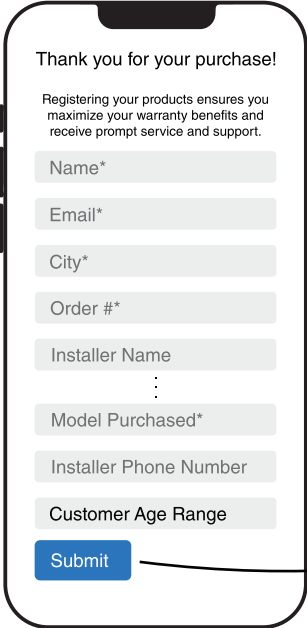
1

SCAN QR CODE



2

FILL IN THE
REGISTRATION FORM



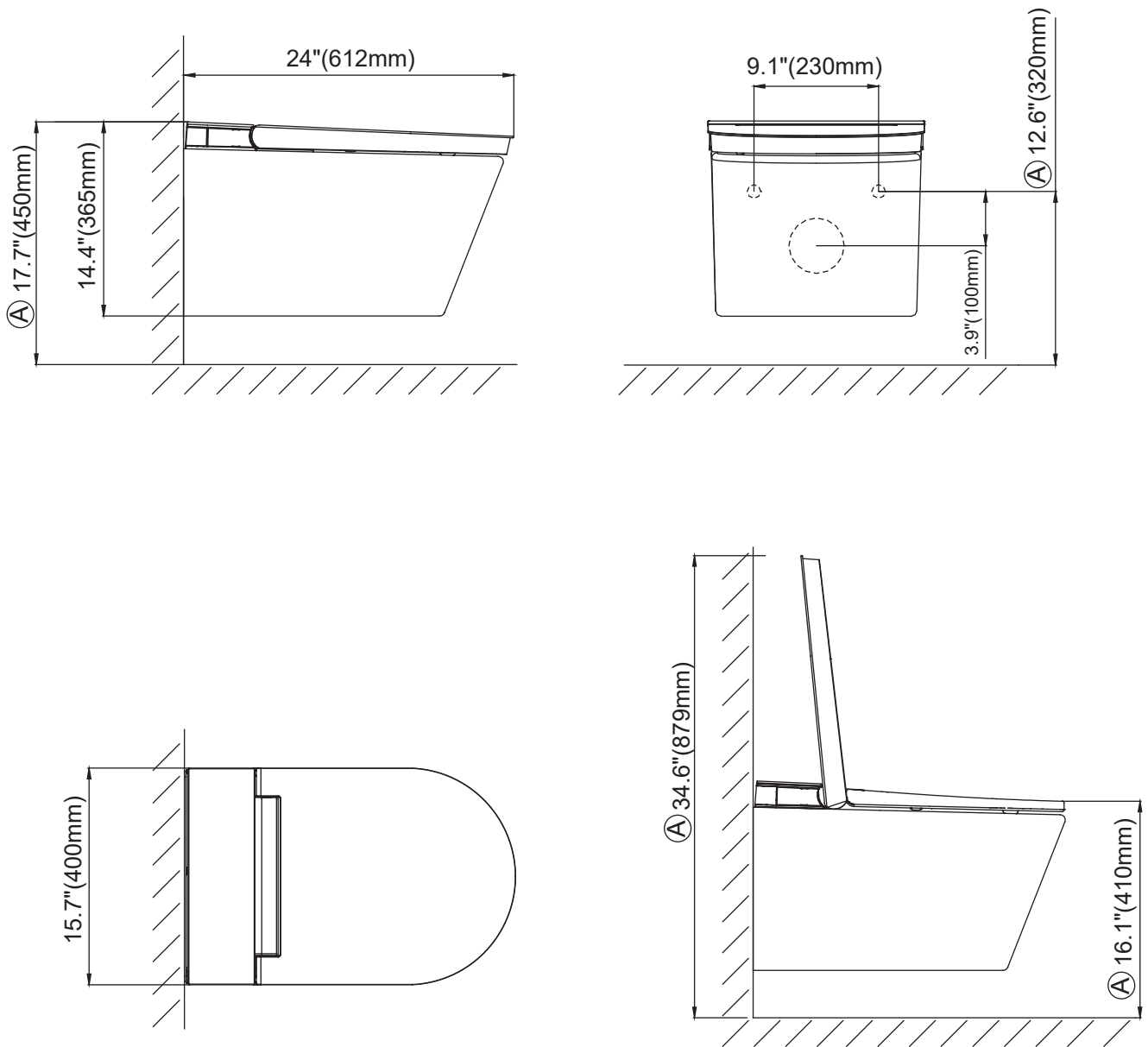
The smartphone screen displays a registration form with the following fields: Name*, Email*, City*, Order #*, Installer Name, Model Purchased*, Installer Phone Number, and Customer Age Range. A blue "Submit" button is at the bottom of the form. A dashed oval highlights a "Submit" button on the right side of the page, with an arrow pointing from the smartphone's "Submit" button to it.

3

CLICK SUBMIT TO FINISH
PRODUCT REGISTRATION

Need help? For technical support call 305-614-4070 or visit us at www.ANZZI.com

PRODUCT SIZE CHART



Ⓐ is indicated as the recommended size after installation. It can be adjusted according to personal needs within the installation allowance. Please carefully confirm these dimensions before proceeding with the installation.

Thank you for choosing ENVO TOILET. Please read and understand this entire manual before attempting to install, assemble or operate this product.

TABLE OF CONTENTS

SAFETY PRECAUTIONS-----	PG.5
COMPONENTS -----	PG.6
TOILET INSTALLATION-----	PG.8
CLEANING & MAINTENANCE-----	PG.15
PRODUCT SPECIFICATIONS-----	PG.13
TROUBLE SHOOTING-----	PG.15

SAFETY PRECAUTIONS

Before using this product, please read the following safety instructions carefully.

Pay special attention to all warnings below.

We shall not be held responsible for any loss or damage resulting from failure to follow these instructions.

Installer Qualification

The product must be installed by a specially trained and qualified plumber.

Installation Requirements

1. Read all safety instructions in this manual thoroughly before starting installation.
2. Install the product strictly in accordance with this manual.
3. Any modification to the installation method may lead to malfunction or damage, for which we are not responsible.
4. Ensure that the bathroom floor and walls are properly waterproofed before installation.
5. Do not fix the ceramic components with cement, and avoid overtightening nuts to prevent cracking or damage.
6. After installation, perform a water supply test before use.

Water Supply Requirements

1. Use only potable water that meets domestic hygiene standards.
2. Do not use industrial, recycled, seawater, or wastewater.
3. Maintain a water pressure between 0.14 MPa and 0.86 MPa (20.3–125 PSI).
4. The minimum water flow rate should be 11.4 L/min (3.0 gal/min) for effective flushing.
5. Water temperature should be maintained between 4°C and 35°C (39.2°F–95°F).
6. The ambient bathroom temperature must remain above 4°C (39.2°F).
7. Before connecting, open the water supply valve to flush out any mud or debris from the pipes to prevent clogging.

Usage Precautions

1. Do not bend, twist, or excessively compress the water supply hose.
2. Always use the new hose provided with the product—do not reuse old hoses.
3. Do not place the product upside down.
4. Avoid striking or applying heavy pressure to the ceramic or top cover.
5. When moving or installing, support the main body firmly. Lifting only the cover or seat may cause separation and injury.
6. Keep the product away from direct sunlight to prevent discoloration.
7. Do not dispose of paper, diapers, or sanitary products in the toilet as they may cause blockage.
8. Handle all ceramic parts with care at all times.

Cleaning Instructions

1. Clean using only a diluted neutral detergent and a soft cloth.
2. Do not use benzene, thinner, scouring powder, or abrasive brushes.
3. To prevent scratches, remove the protective film only after installation is complete.

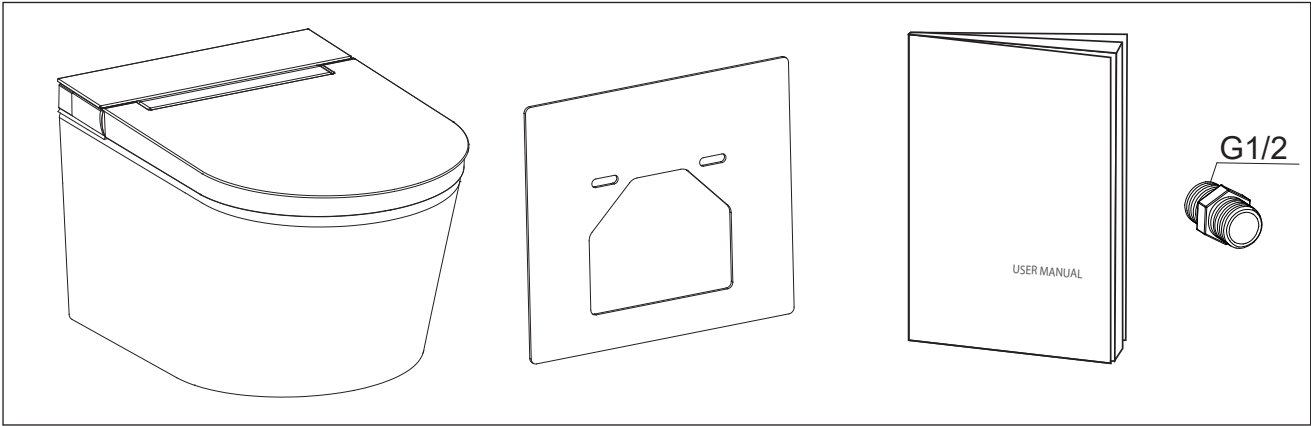
Note

Each unit is tested with water before shipment.

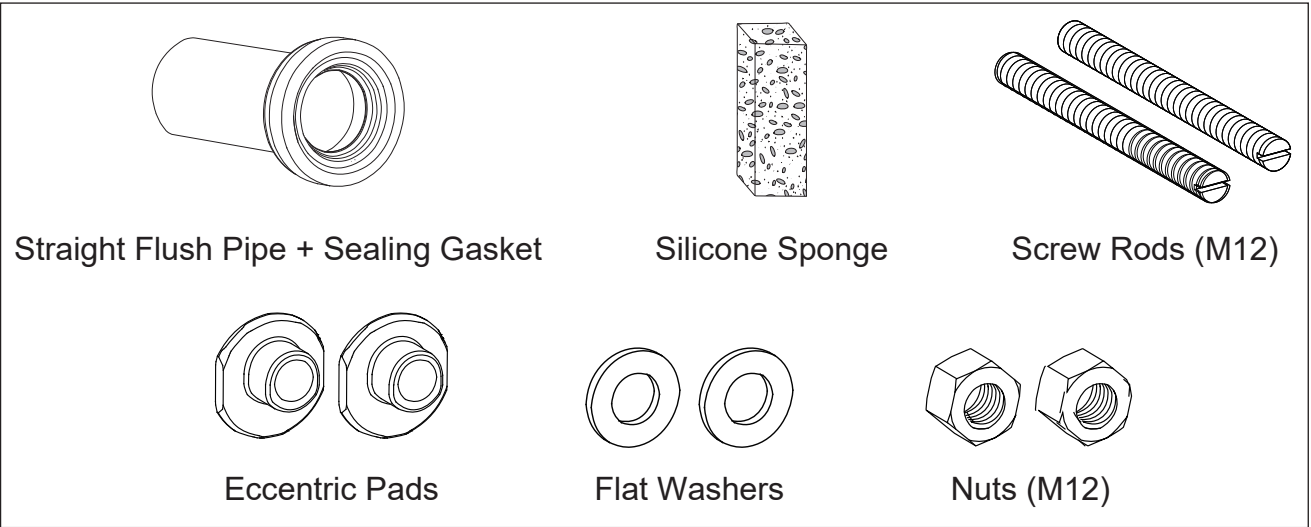
It is normal if a small amount of water remains inside or drips slightly when unpacking.

COMPONENTS

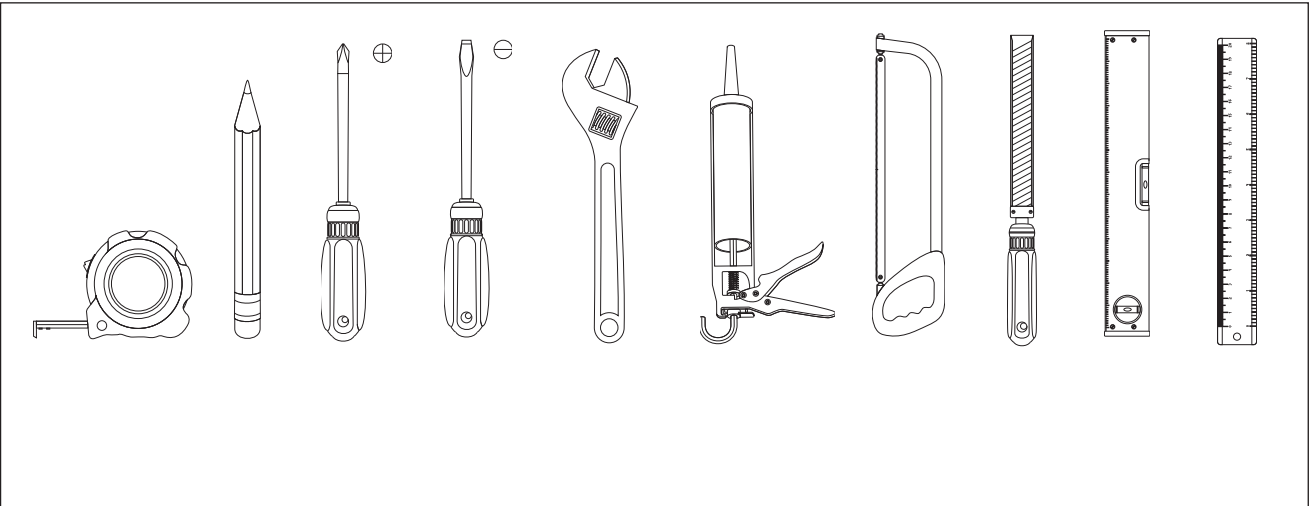
■ STANDARD DELIVERY CONTENTS



■ ACCESSORIES NEEDED (PROVIDED BY CUSTOMER)

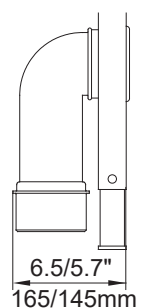
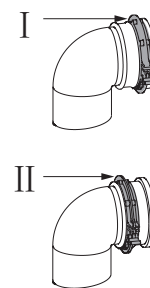
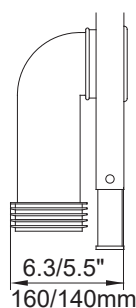
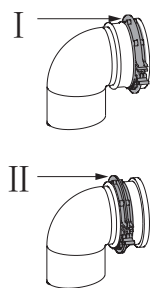
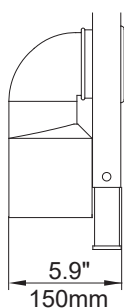
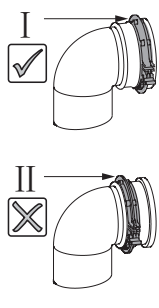
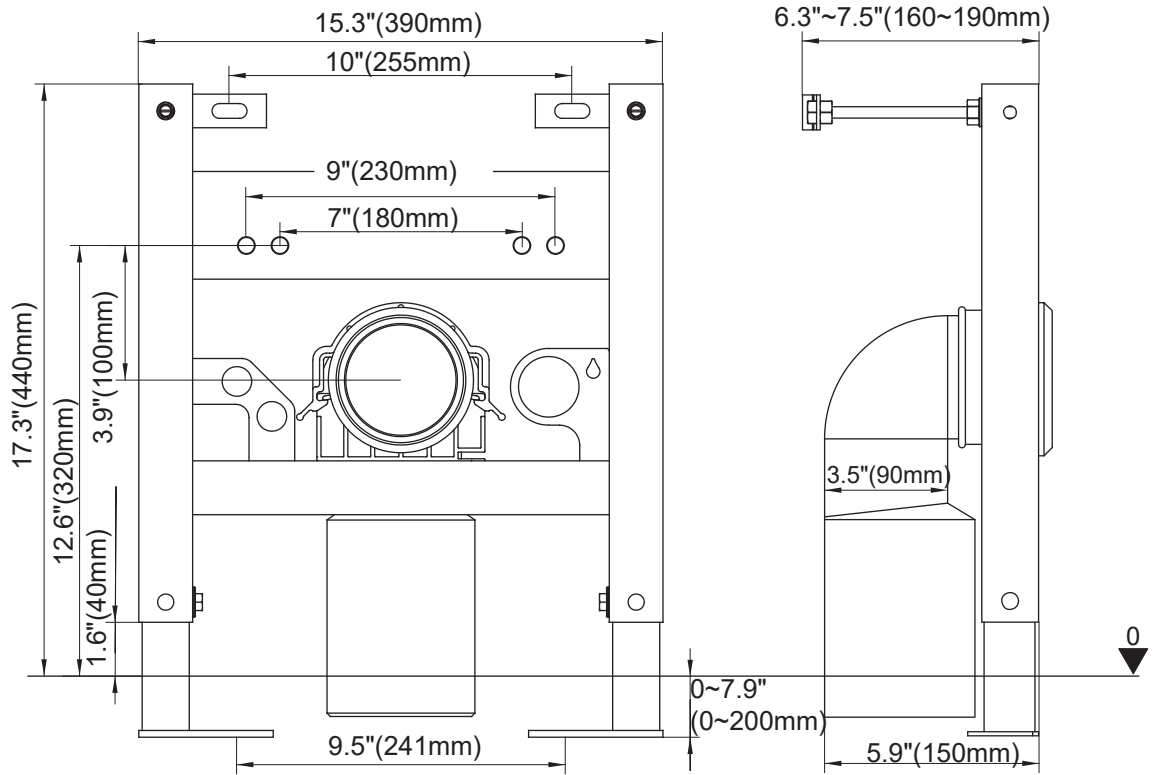
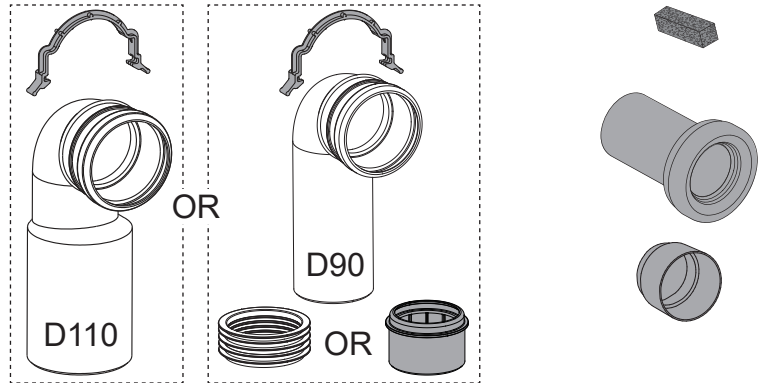
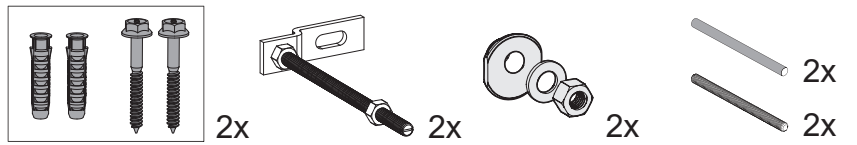
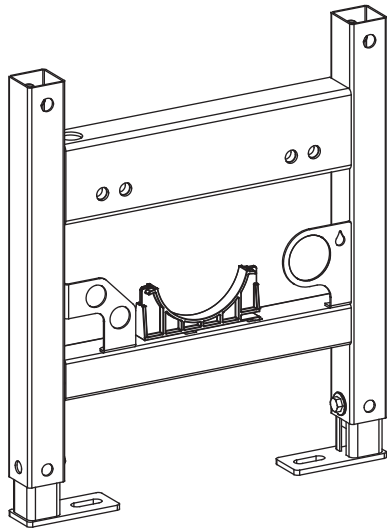


■ TOOLS NEEDED (PROVIDED BY CUSTOMER)



COMPONENTS

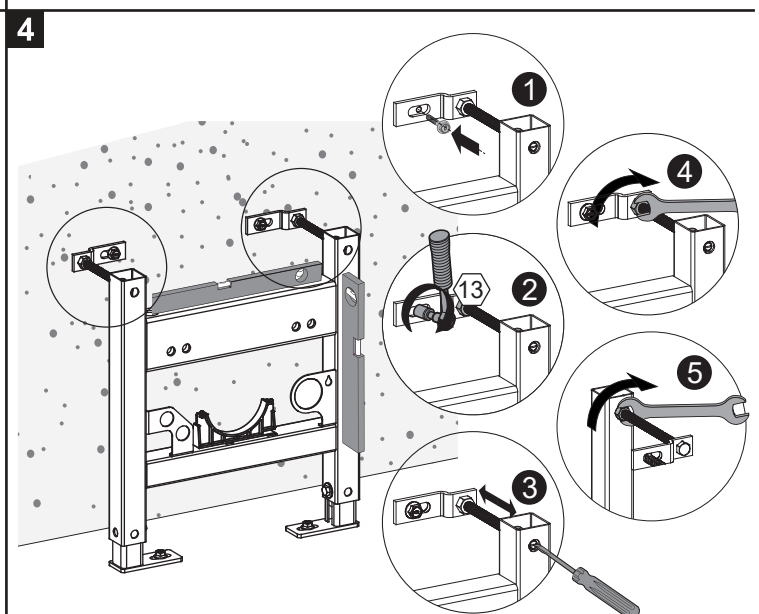
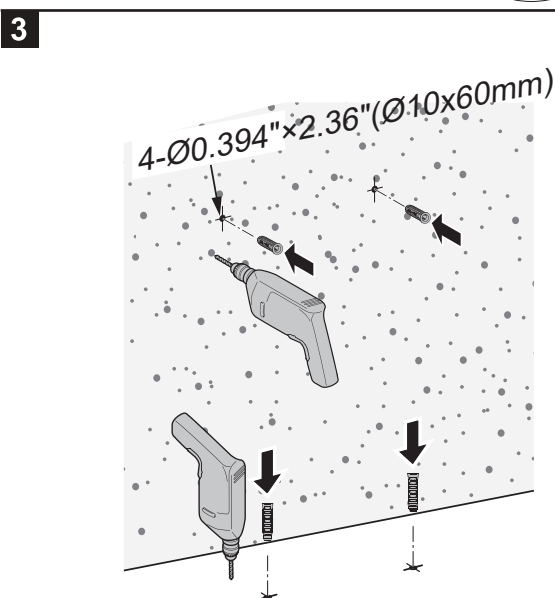
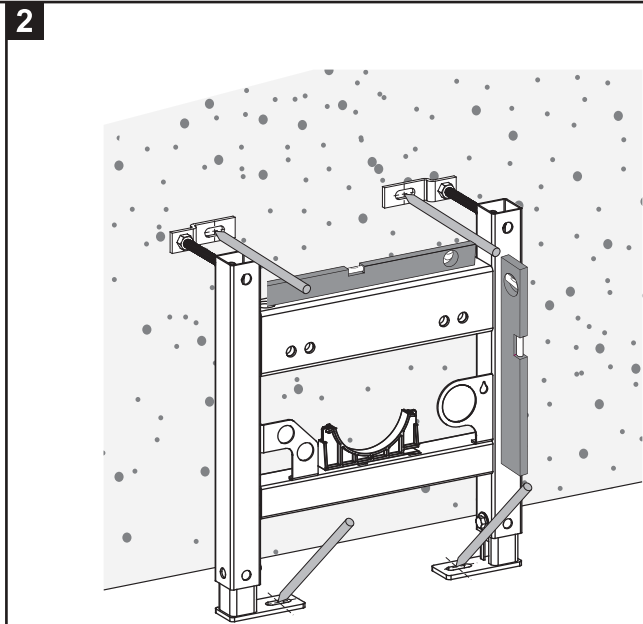
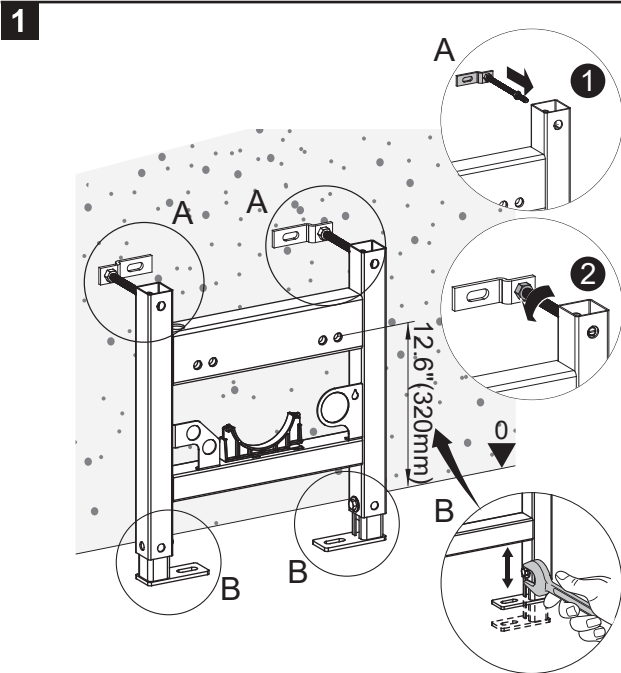
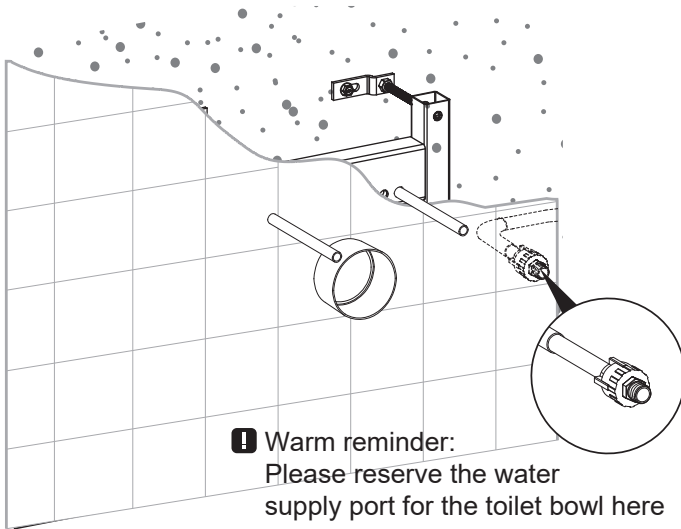
THE SUPPORT FRAME FOR CONCEALED INSTALLATION



TOILET INSTALLATION

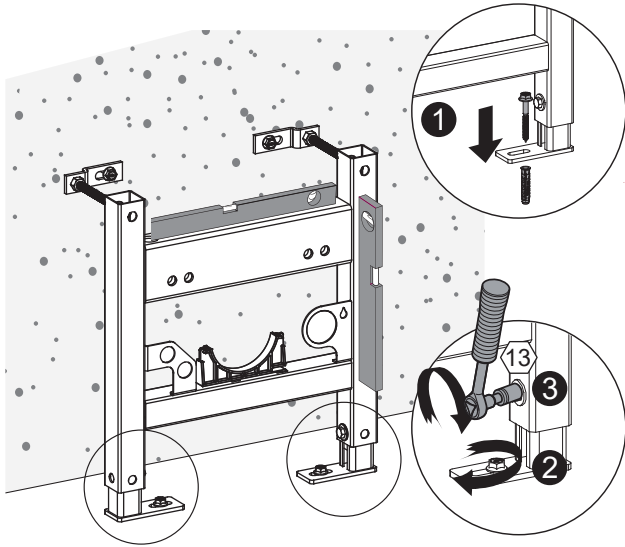
THE SUPPORT FRAME

Please refer to the illustration to install the Toilet Frame.

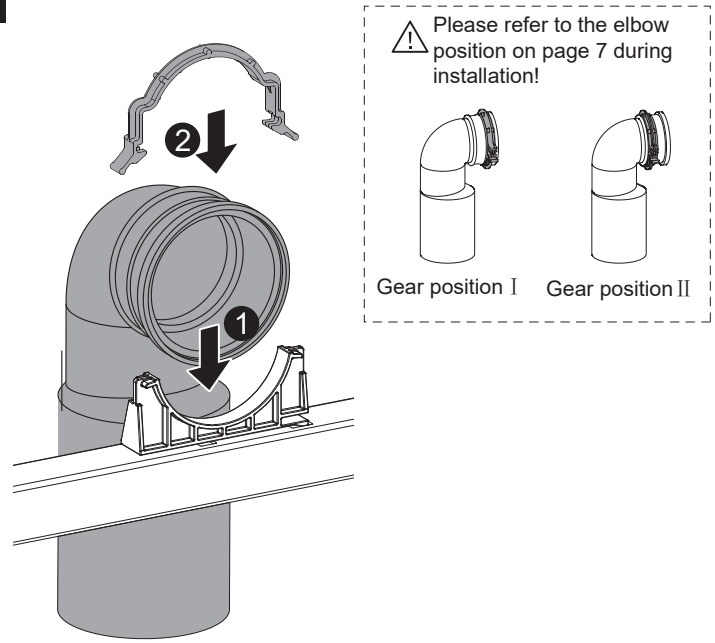


TOILET INSTALLATION

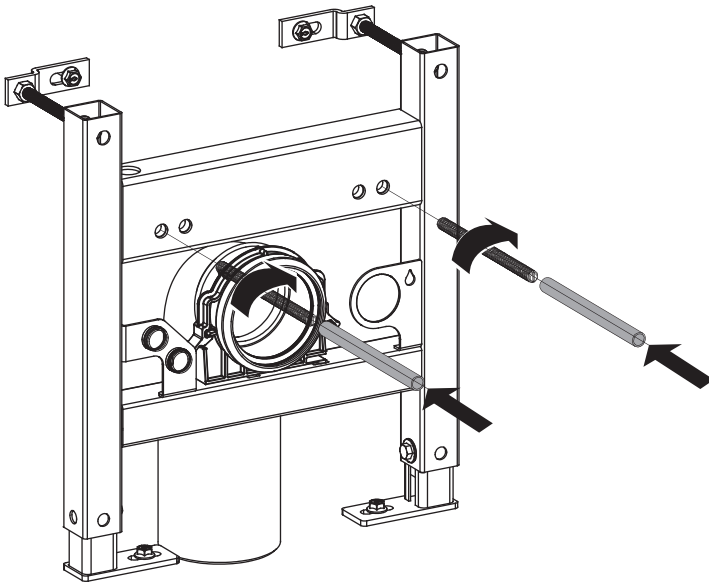
5



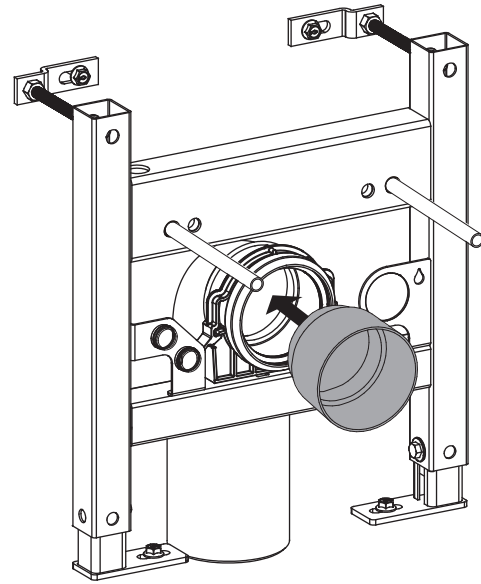
6



7



8

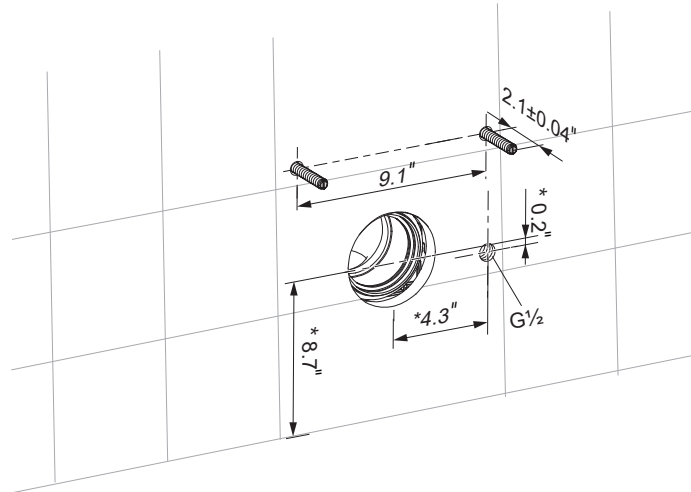


TOILET INSTALLATION

PRE-INSTALLATION CONFIRM

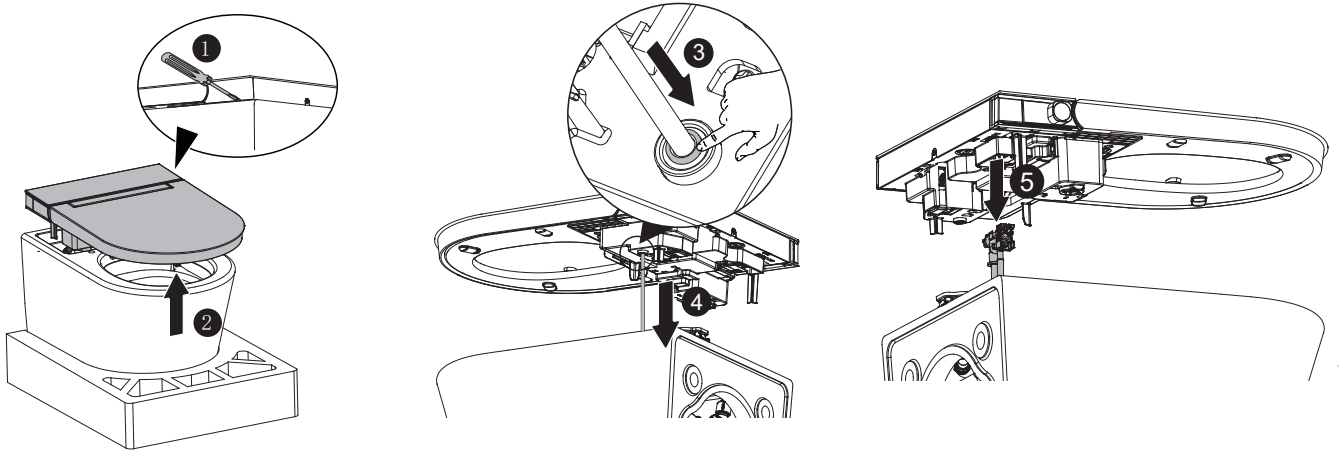
Reserve installation space according to the dimensions in the diagram (symbols “*” indicate recommended sizes) to ensure proper connection of the water supply pipe.

Before installation, open the water supply valve to flush out mud and debris from the pipes. This prevents blockage and ensures smooth water flow.



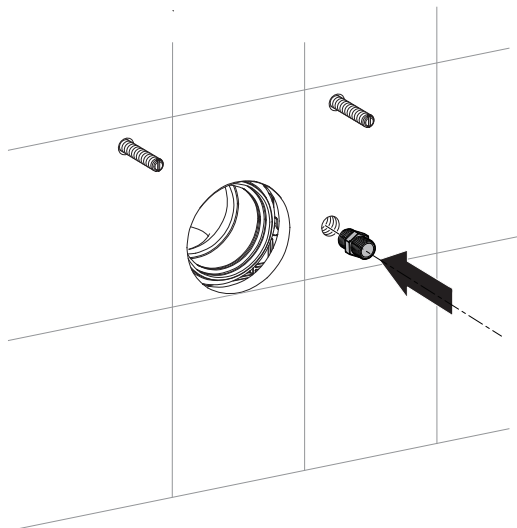
INSTALLATION

1 



Insert a slotted screwdriver at the position shown and pry upward.

2

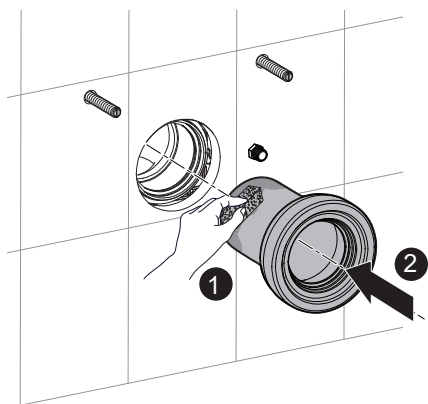


3

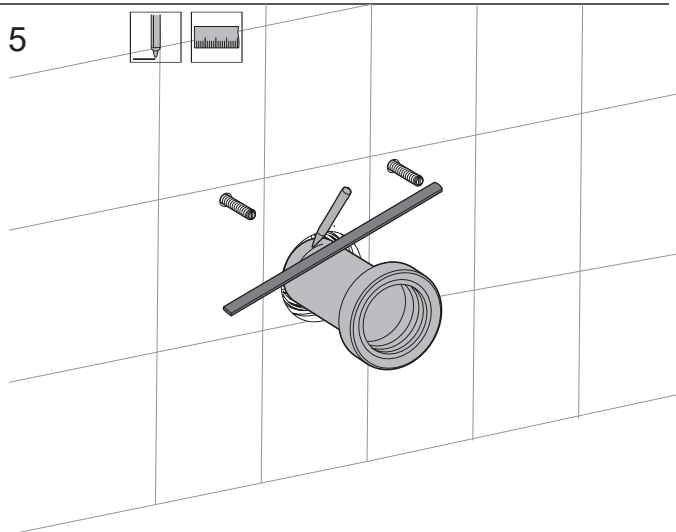


TOILET INSTALLATION

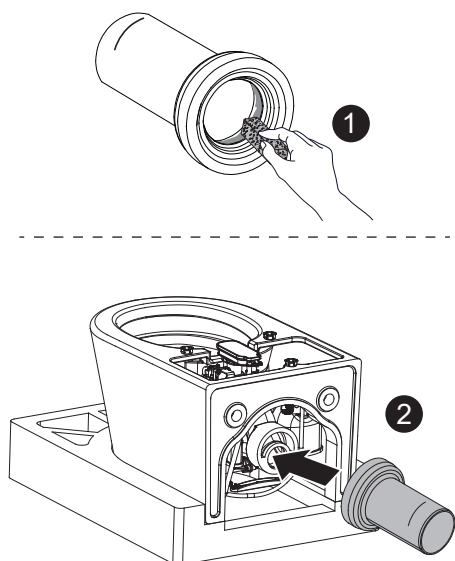
4



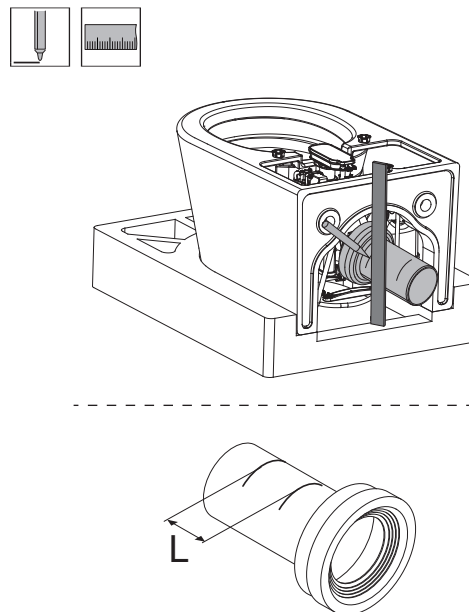
5



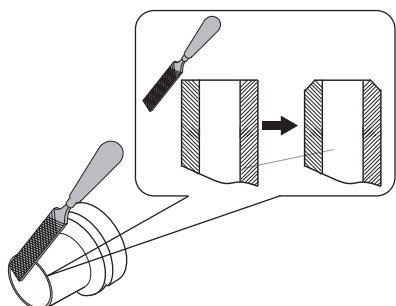
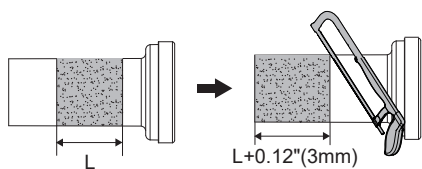
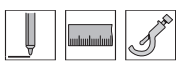
6



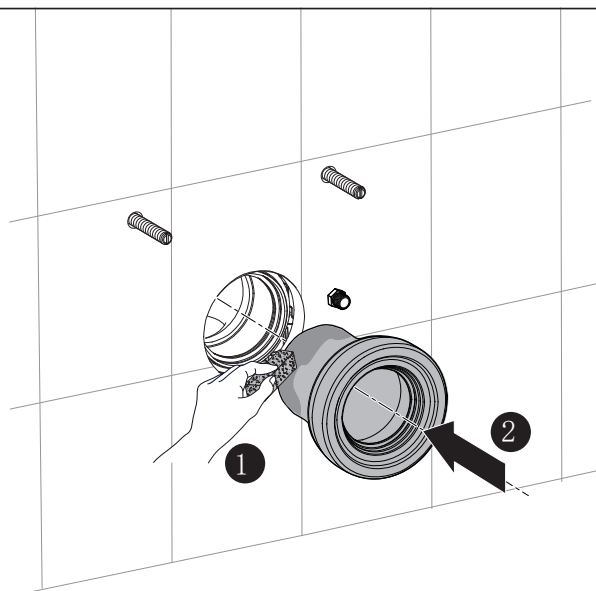
7



8

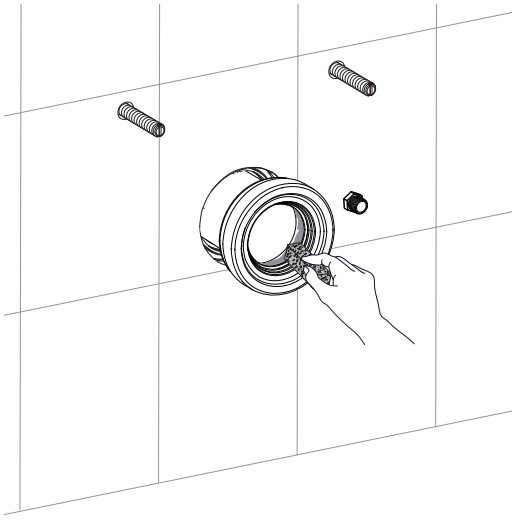


9

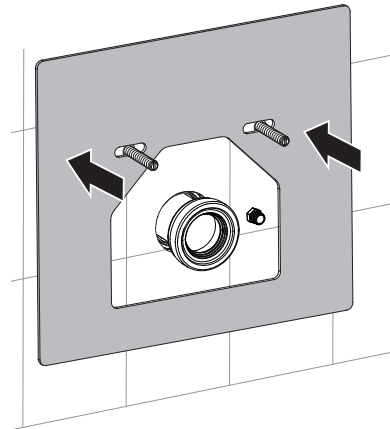


TOILET INSTALLATION

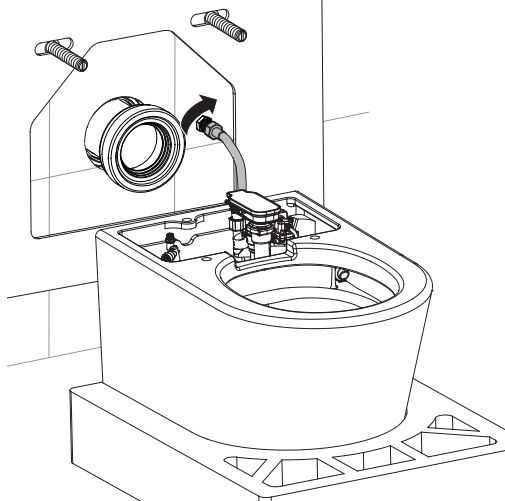
10



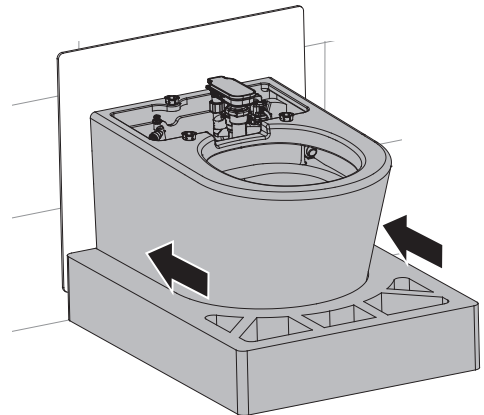
11




12

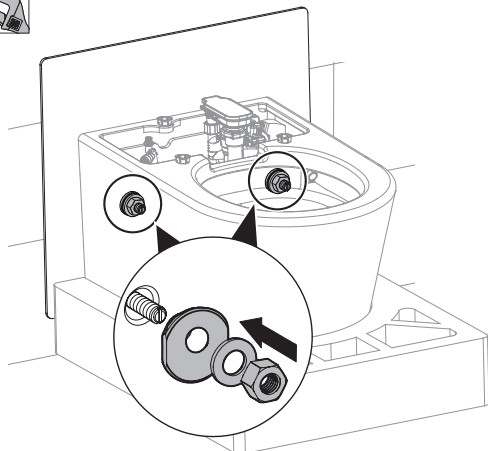



13



 Place the toilet about 2" (50mm) away from the wall and align the toilet drain with the drain straight, then push back against the wall.

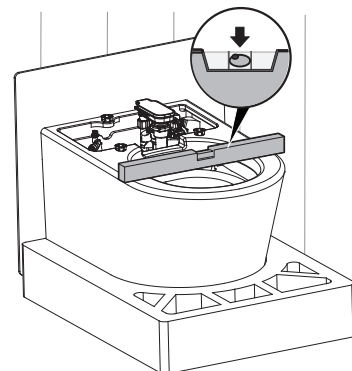
14



 Adjust the length of the screw rod according to the actual installation situation.

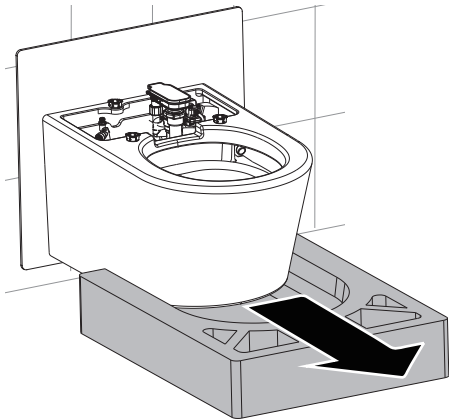
PG.12

15

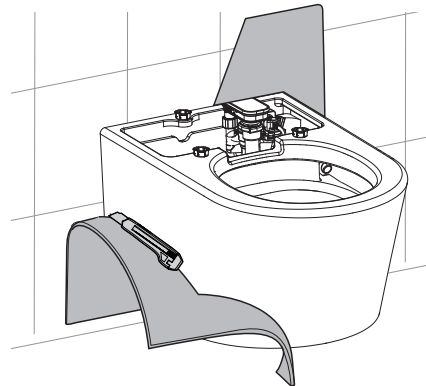


TOILET INSTALLATION

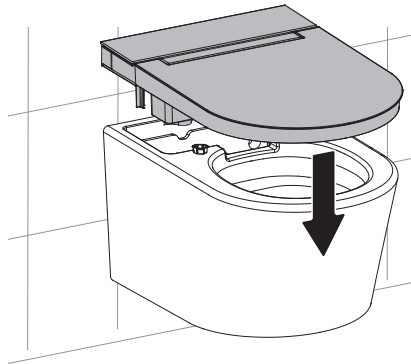
16



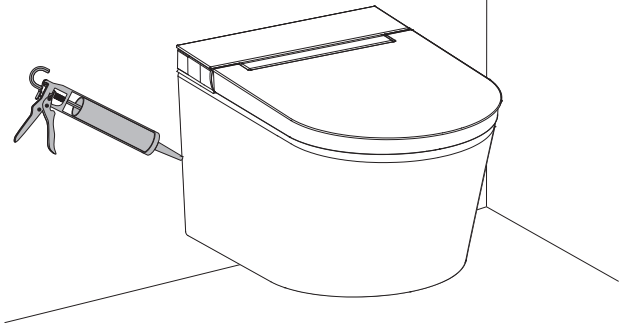
17



19



20



CLEANING & MAINTENANCE

FILTER CLEANING

The filter screen should be cleaned regularly. If the toilet fails to fill properly, shows reduced water pressure, or malfunctions, please check and clean the filter screen first.

Follow these steps:

Pull out the water inlet hose assembly from the toilet base (Fig. 1).

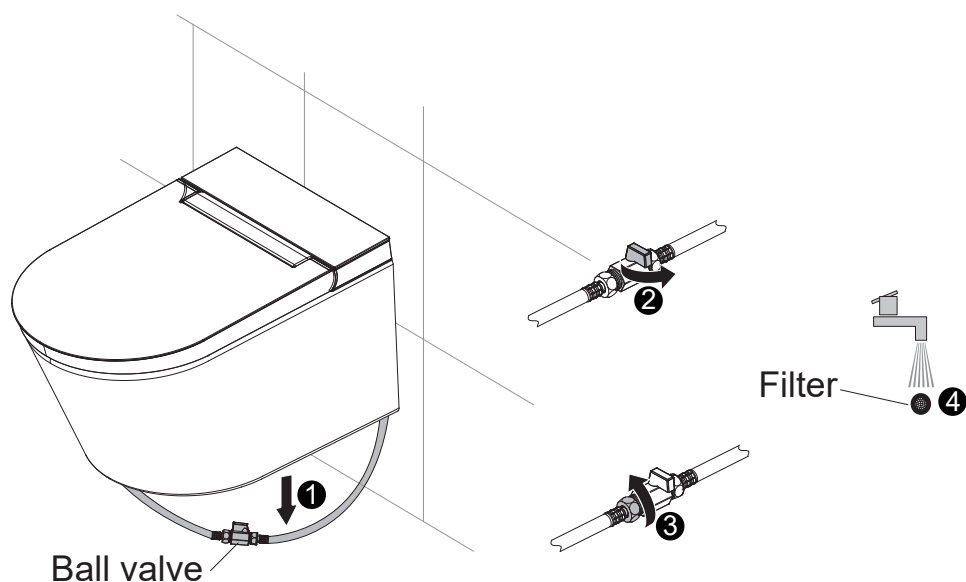
Close the ball valve to stop the water supply (Fig. 2).

Detach the water inlet hose from the ball valve and drain residual water (Fig. 3).

Remove the filter screen from the inlet hose and rinse it under running water (Fig. 4).

Reinstall the water inlet hose assembly in reverse order and check for leaks.

CLEANING & MAINTENANCE



SURFACE CLEANING

Use a soft sponge or cloth moistened with room-temperature water or neutral detergent, then wrung out, to wipe the product surface. When cleaning other parts, lift the top cover and seat. Do not close them until all detergent has been completely rinsed away, as residual vapors may corrode the surface.

TEMPERATURE PRECAUTIONS

Ensure the indoor temperature is not below 39.2°F (4°C).

If the temperature drops below 39.2°F (4°C), stop using the product and proceed as follows:

Turn off the angle valve to stop water supply.

Drain the water in the tank and flush once.

Failure to drain before maintenance may cause damage or leakage.

WARNING!

If the product is moved from a cold to a warm environment, condensation may form.

In this case, leave the product standing for several hours before use.

PRODUCT SPECIFICATIONS

Item	Description
Model	TL-WH03-WH
Flushing capacity	3.8L(1.0gal)
Applicable water supply pressure (static pressure)	20.3PSI ~ 125PSI(0.14MPa ~ 0.86MPa)
Water supply temperature	39.2°F ~ 95°F (4°C ~ 35°C)
Ambient temperature	39.2°F ~ 104°F (4°C ~ 40°C)
Dimensions(LxWxH)	24.1" × 15.7" × 14.4" (612×400×365mm)

TROUBLE SHOOTING

Fault phenomenon	Cause analysis	Solution
Water leakage	Loose hose connector	Turn off the water supply and check that the connection between the switch (or product) and the hose is securely tightened.
Flushing failure	Abnormal water supply	Check that the water supply switch is on and the filter is not blocked.
Insufficient flushing force	Too low water supply pressure	Ensure the water supply pressure is above 0.14 MPa (20.3 PSI).
	Insufficient water in the tank	Allow at least 60 seconds between consecutive flushes.

ENVO O
by ANZZI