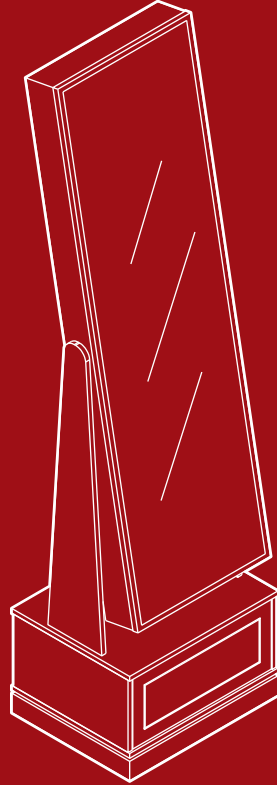




BEST CHOICE
PRODUCTS



INSTRUCTION MANUAL

Mirrored Jewelry Armoire
with Drawer

NOTICE

Please retain these instructions for future reference.

- Firmly secure all bolts, screws, and knobs before use.
- Reconfirm that all bolts, screws, and knobs are secure every 90 days.
- Fasten screws loosely during initial assembly. Do not fully tighten screws until the item is completely assembled.
- Do not use or store this item in the proximity of open flame or flammable/combustible chemicals.
- Be aware that some parts are heavy and have sharp edges.
- If any parts are missing, broken, damaged, or worn, stop using this product until repairs are made and/or factory replacement parts are installed.
- Do not use this item in a way inconsistent with the manufacturer's instructions as this could void the product warranty.
- This product is intended for residential use only.

TOOLS REQUIRED



PHILLIPS
SCREWDRIVER



3 AA BATTERIES



1 PERSON
ASSEMBLY



UP TO 30 MIN.
ASSEMBLY

HARDWARE

1

LAG BOLT



8 PCS

2

LAG NUT



8 PCS

3

M6 X 30MM
DOWEL



10 PCS

4

M2.5 X 12MM
SCREW



12 PCS

5

M4 X 35MM
SCREW



8 PCS

6

M6 X 45MM
BARREL BOLT



6 PCS

7

BARREL NUT



6 PCS

8

M4 X 16MM
SCREW



1 PC

9

KNOB



1 PC

10

M3 X 12MM
SCREW



12 PCS

11

M8 X 30MM
DOWEL



2 PCS

12

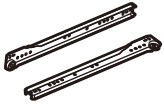
PIVOT
CONNECTER
SET



2 PCS

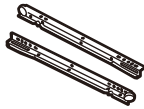
HARDWARE

13 FEMALE RUNNER (L/R)



1 SET

14 MALE RUNNER (L/R)



1 SET

15 LARGE WASHER



2 PCS

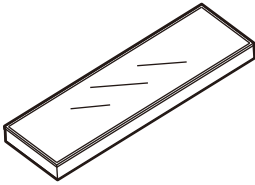
16 SMALL WASHER



2 PCS

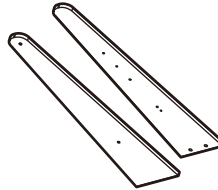
PARTS

A ARMOIRE



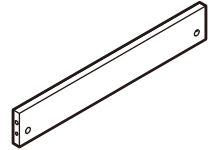
1 PC

B ARMOIRE SUPPORT



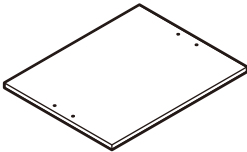
2 PCS

C SUPPORT BRACE



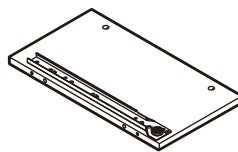
1 PC

D CABINET TOP



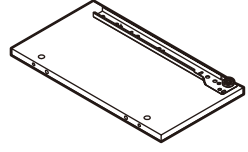
1 PC

E1 CABINET SIDE



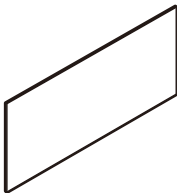
1 SET

E2 CABINET SIDE



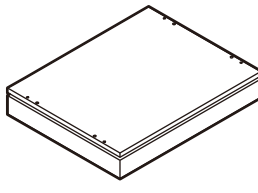
1 PC

F CABINET BACK



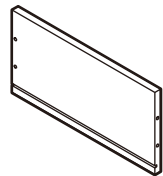
1 PC

G CABINET BASE



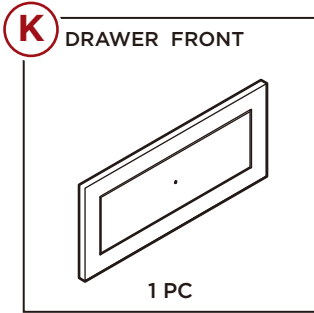
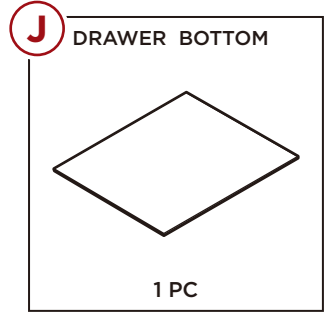
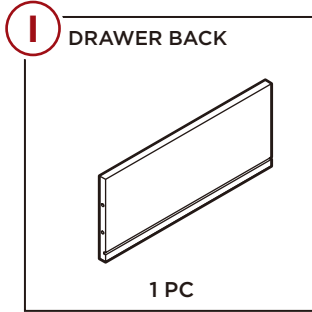
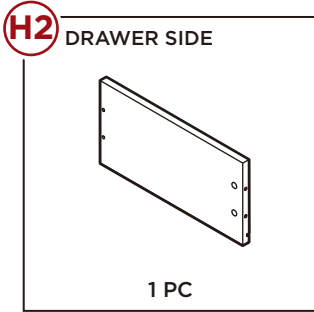
1 SET

H1 DRAWER SIDE



1 PC

PARTS

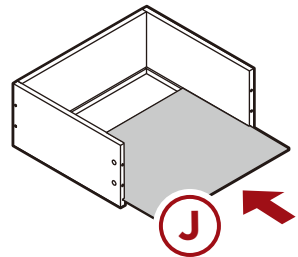
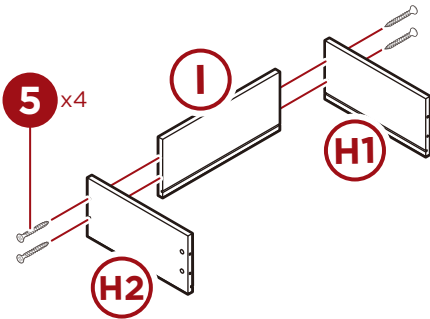


PRODUCT ASSEMBLY

1

Attach one set of **part H1 & H2 drawer sides** to the **part I drawer back** with four **part 5 screws**.

Insert the **part J drawer bottom**.

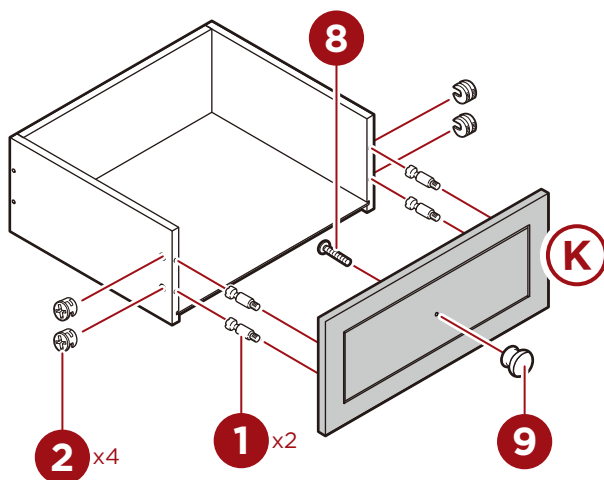


PRODUCT ASSEMBLY

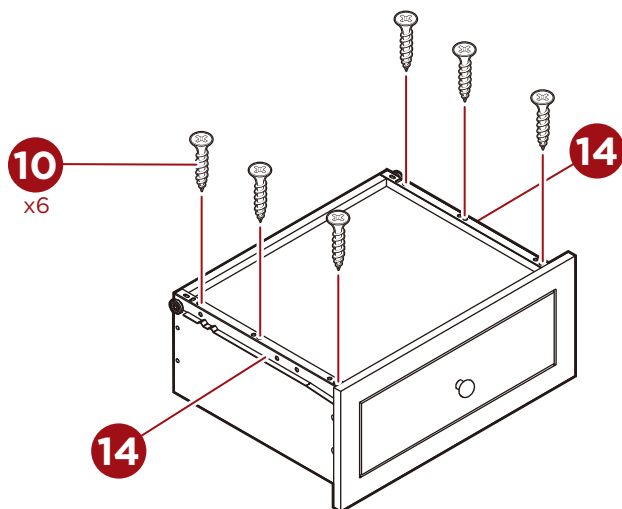
2

Attach the **part 9 knob** to the **part K drawer front** with one **part 8 screw**.

Attach the drawer front to the drawer assembly with four **part 2 lag nuts** and four **part 1 lag bolts**.



Flip the drawer assembly attach the **part 14 male runner set** to the drawer sides with six **part 10 screws**.

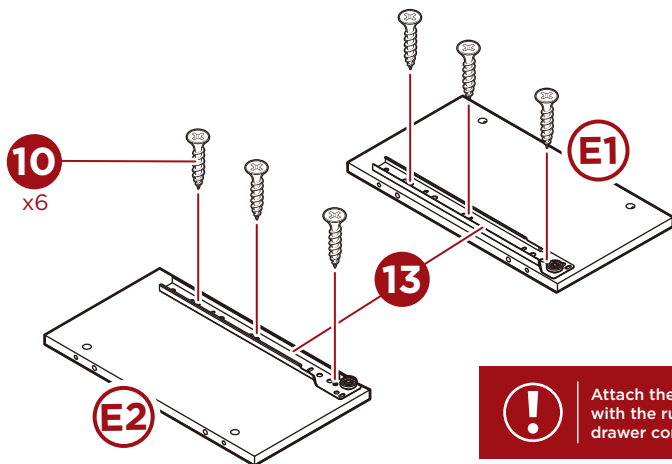


Attach the runner sets as shown with the runner wheels at the back of the drawer.

PRODUCT ASSEMBLY

3

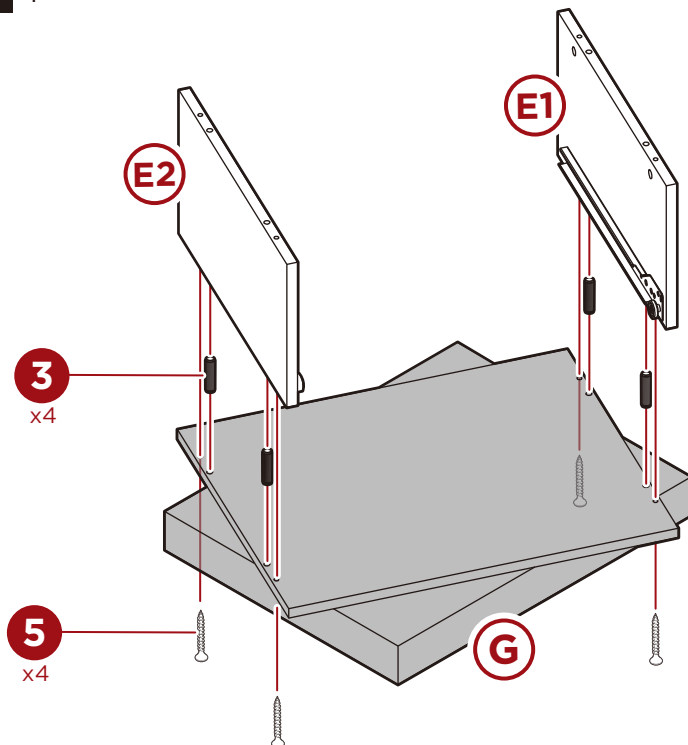
Locate the **part E1 & E2 cabinet sides** and attach the **part 13 female runner set** with six **part 10 screws**.



Attach the runner sets as shown with the runner wheel at the drawer compartment opening.

4

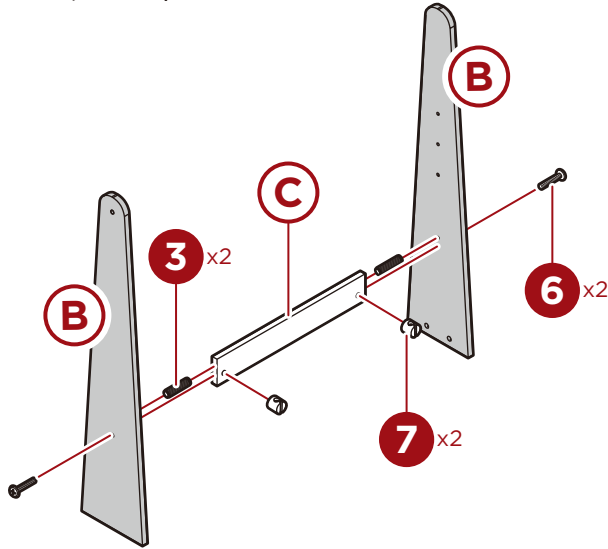
Attach the cabinet side set to the **part G cabinet base** with four **part 3 dowels** and four **part 5 screws**.



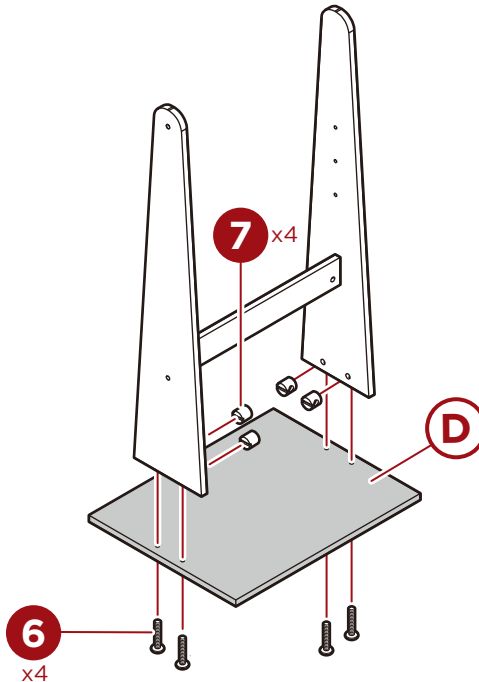
PRODUCT ASSEMBLY

5

Attach two **part B** armoire supports to the **part C** support brace with two **part 3** dowels, two **part 7** barrel nuts, and two **part 6** barrel bolts.



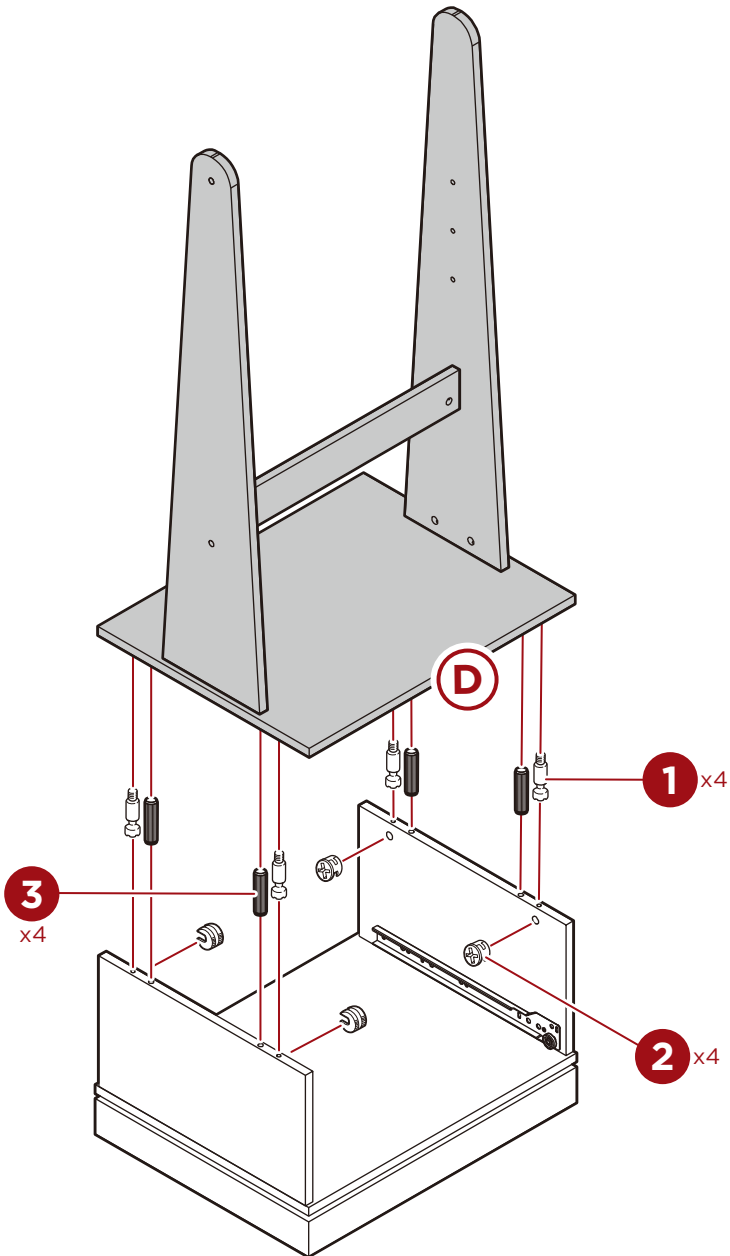
Attach the support assembly to the **part D** cabinet top with four **part 7** barrel nuts and four **part 6** barrel bolts.



PRODUCT ASSEMBLY

6

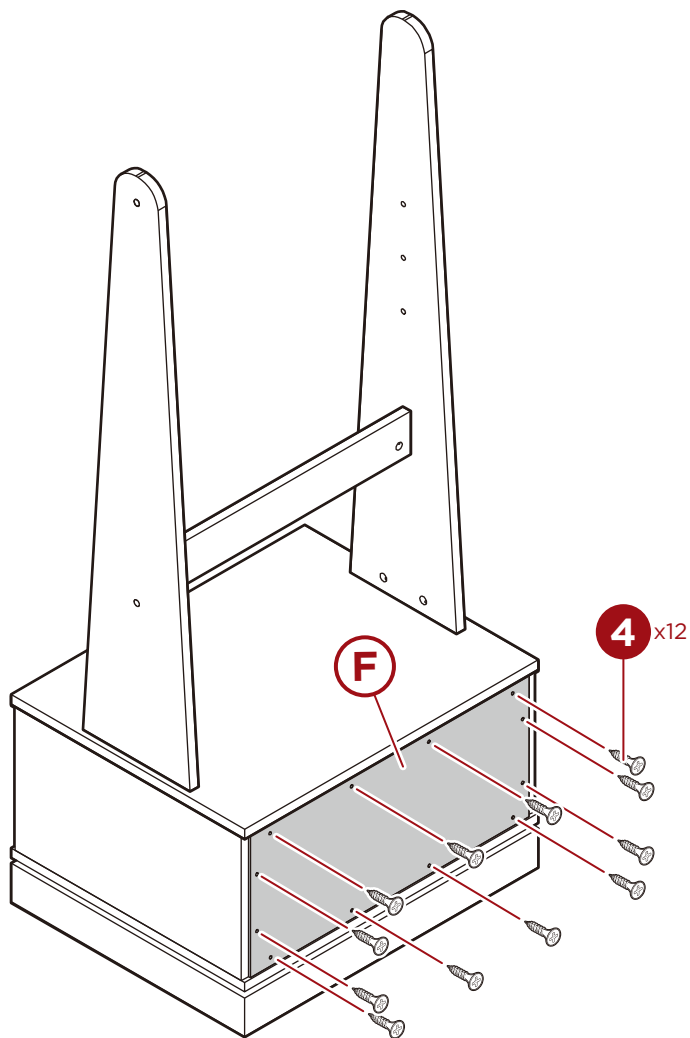
Attach the **part D cabinet top** to the cabinet assembly with four **part 3 dowels**, four **part 1 lag bolts**, and four **part 2 lag nuts**.



PRODUCT ASSEMBLY

7

Attach the **part F cabinet back** with twelve **part 4** screws.

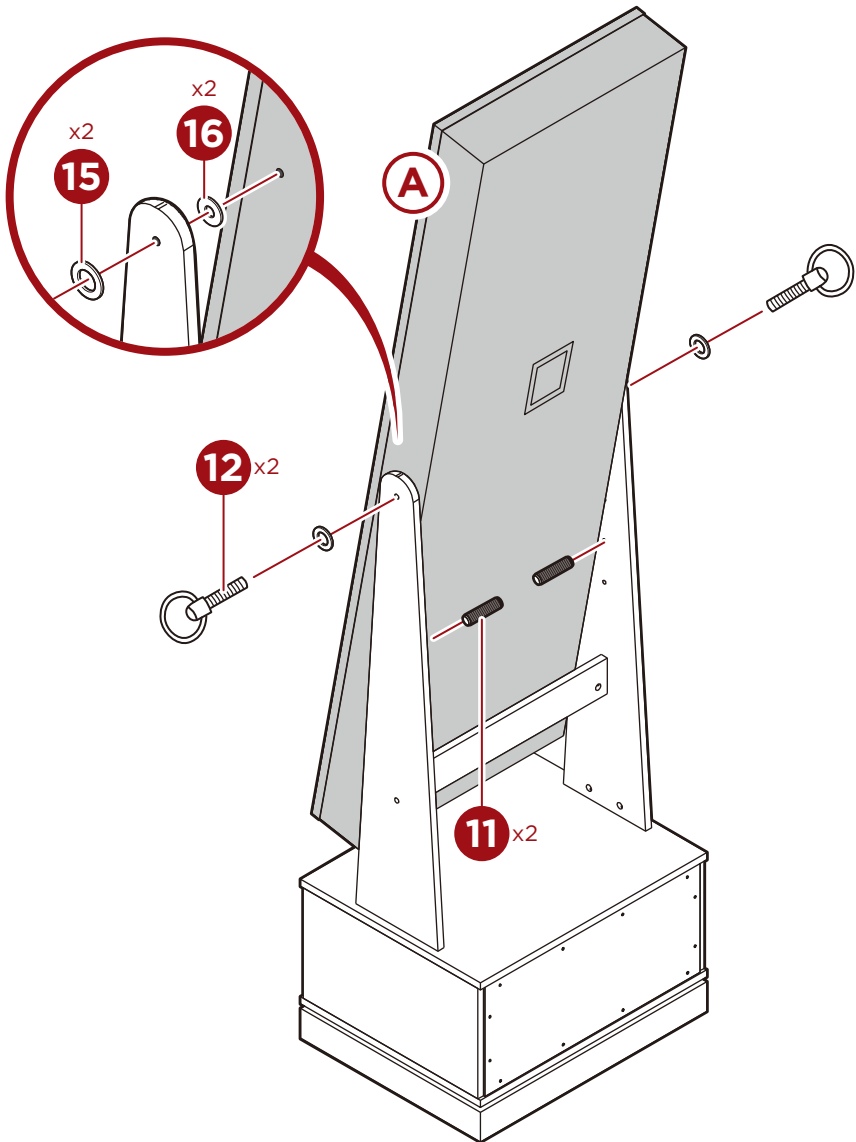


PRODUCT ASSEMBLY

8

Attach the **part A armoire** to the supports with two **part 12 connector sets**, two **part 15 washers**, and **part 16 washers**.

Insert two **part 11 dowels** into the corresponding holes, depending on your desired angle.

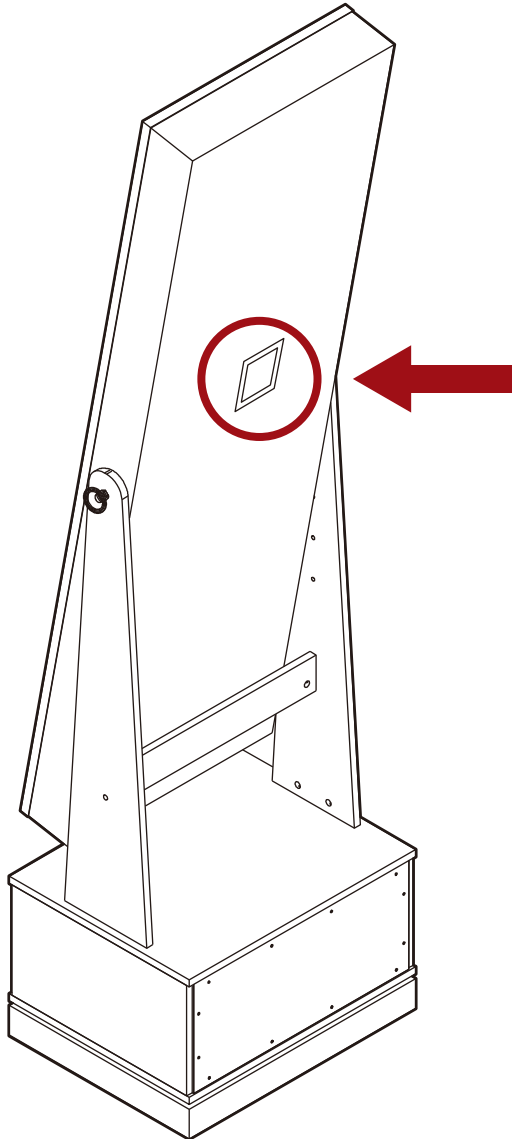


INSTALLING BATTERIES

This armoire requires a total of 3 AA batteries.

9

Locate the battery compartment on the back of the armoire. Remove the cover plate and install three AA-batteries.





HELP CENTER



Question about your product? We're here to help. Visit us at:

help.bestchoiceproducts.com



Product Assembly



Returns & Refunds

PRODUCT WARRANTY INFORMATION

All items can be returned for any reason within 60 days of the receipt and will receive a full refund as long as the item is returned in its original product packaging and all accessories from its original shipment are included. All returned items will receive a full refund back to the original payment method. All returned items will not be charged a re-stocking fee.

All returned items require an RA (Return Authorization) number, which can only be provided by a Best Choice Products Customer Service Representative when the return request is submitted. Items received without an RA may not be accepted or may increase your return processing time. Once an item has been received by Best Choice Products, refunds or replacements will be processed within 5 business days.

All returns must be shipped back to the Best Choice Products Return Center at the customer's expense. If the reason for return is a result of an error by Best Choice Products then Best Choice Products will provide a pre-paid shipping label via email. Boxes for return shipping will not be provided by Best Choice Products, and is the customer's responsibility to either use the original shipping boxes or purchase new boxes.

Pictures may be required for some returns to ensure an item is not damaged prior to its return. Items returned are not considered undamaged until they are received by Best Choice Products and verified as such. All damages to items are the customer's responsibility until the item has been received by and acknowledge by Best Choice Products as undamaged.

WARNING

Manufacturer and seller expressly disclaim any and all liability for personal injury, property damage or loss, whether direct, indirect, or incidental, resulting from the incorrect attachment, improper use, inadequate maintenance, unapproved modification, or neglect of this product.